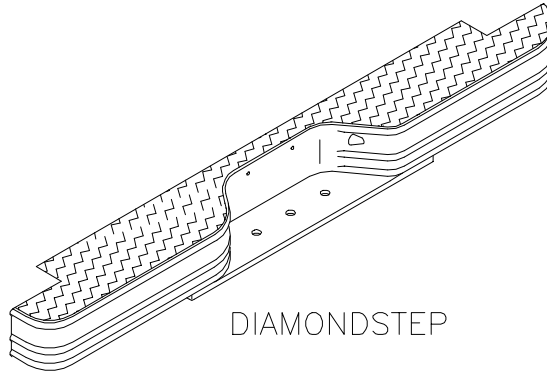




INSTALLATION INSTRUCTIONS

APPLICATION: 1987-1996 DAKOTA

MOUNT KIT: #78/97800



BUMPER OVERALL: 64.00
 HITCH WIDTH: 38.00
 VEHICLE FRAME WIDTH: 37.75

MOUNTING KIT CONTENTS	BUMPER KIT CONTENTS	TOOLS REQUIRED
1 DRIVER SIDE MOUNTING BRKT 1 PASSENGER SIDE MOUNTING BRKT 4 1/2 BOLT, NUT, FLAT WASHER, AND LOCK WASHER 6 3/8 BOLT, NUT, FLAT WASHER, AND LOCK WASHER	1 BUMPER 1 LICENSE PLATE LIGHT KIT	3/4 SOCKET 3/4 WRENCH RATCHET TORQUE WRENCH 9/16 SOCKET 9/16 WRENCH

STEP 1: Using 3/8 hardware, loosely install mounting brackets on the outside of truck frame rails with the offset inwards. Refer to figure 1 and 2. DO NOT TIGHTEN mounting hardware.

STEP 2: Using inner verticals, install bumper onto mounting brackets with brackets outside of bumper verticals. See figure 2. Use 1/2 inch hardware. DO NOT TIGHTEN.

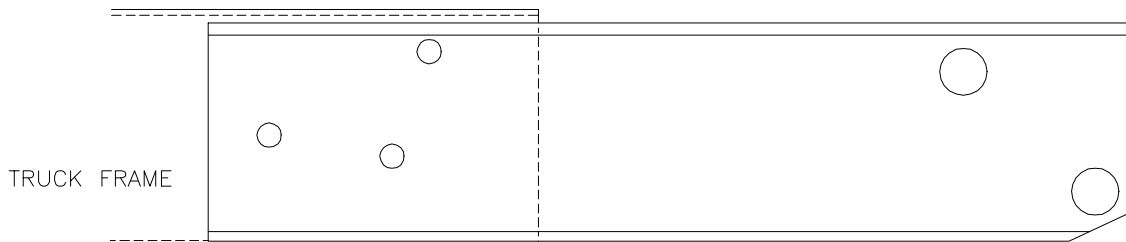


FIGURE 1 (driver side view)

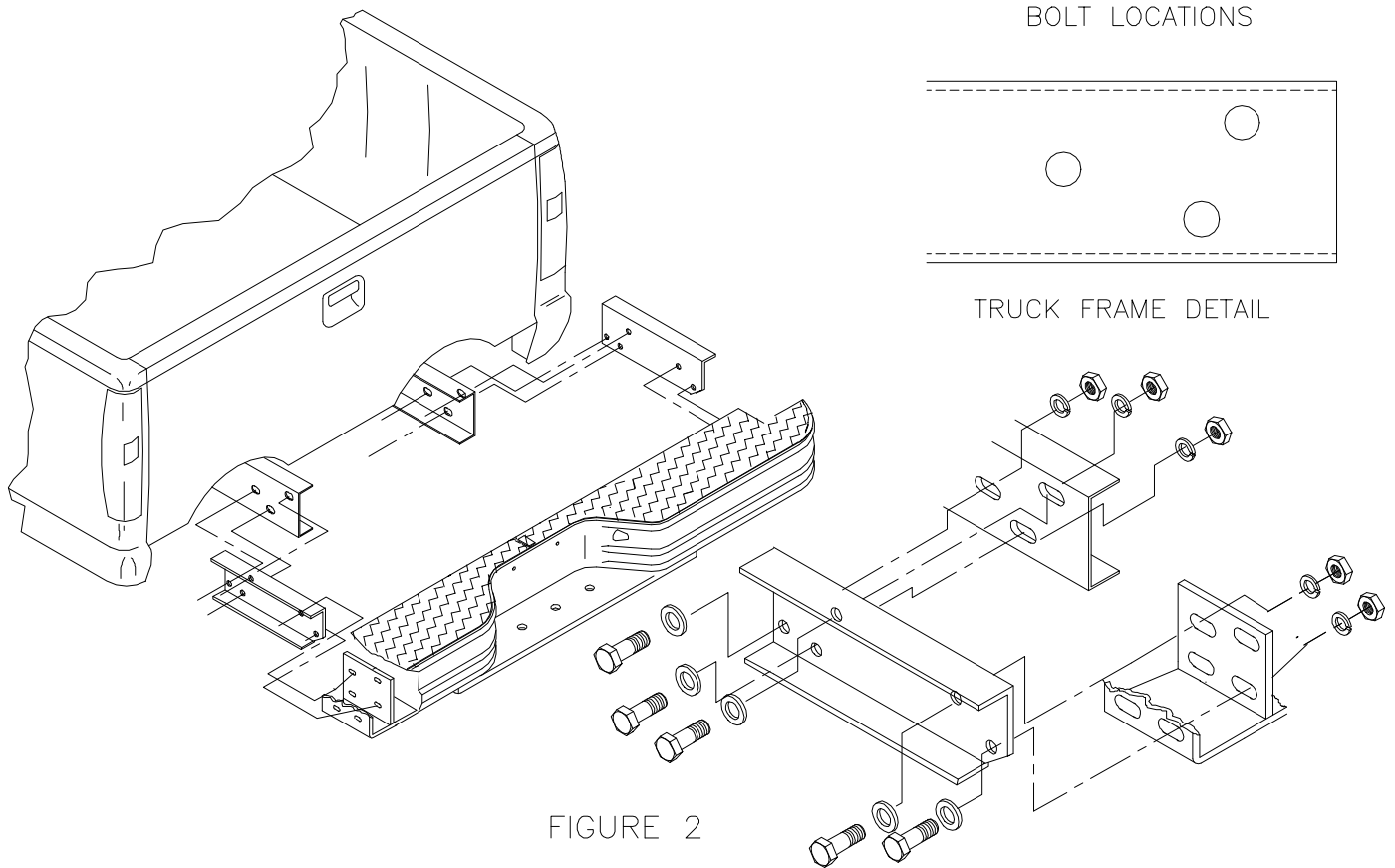


FIGURE 2

STEP 3: Position bumper squarely to tailgate and allow clearance for tailgate to open. Tighten hardware as follows:

- 1/2 to 60-65 ft lbs
- 3/8 to 30to35 ft lbs

STEP 4: Using square plastic grommets and sheet metal screws, install license plate. See figure 3.

STEP 5: Install pop lights into bumper (figure 4). Using supplied connectors, splice pop light wires into truck illumination wire as shown in figure 4. Make sure license plate lights are working properly.

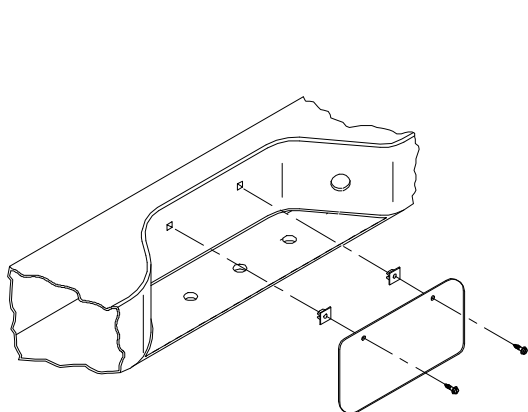


FIGURE 3

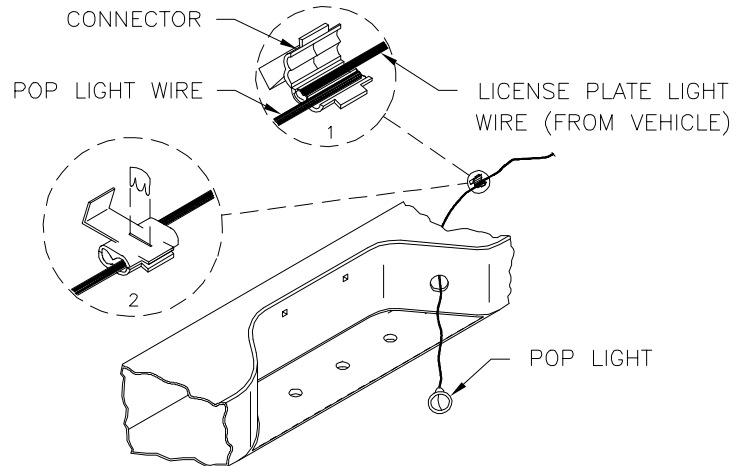


FIGURE 4