

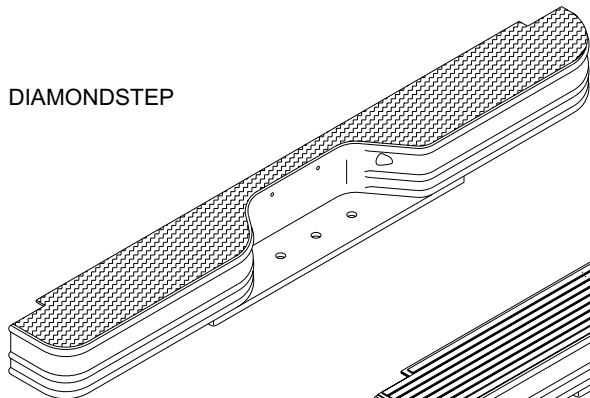


INSTALLATION INSTRUCTIONS

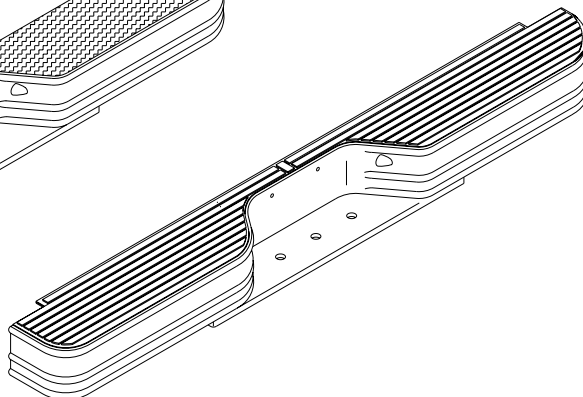
APPLICATION: 1989-1994 TOYOTA PICKUP

MOUNT KIT : #35/93500

DIAMONDSTEP



SURSTEP



BUMPER OVERALL: 61.50

HITCH WIDTH: 40.50

VEHICAL FRAME WIDTH: 41.30

QTY	MOUNTING KIT CONTENTS	QTY	BUMPER KIT CONTENTS	TOOLS REQUIRED
1	DRIVER SIDE MOUNTING BRKT	1	BUMPER	3/4 SOCKET
1	PASSENGER SIDE MOUNTING BRKT	1	LICENSE PLATE LIGHT KIT	3/4 WRENCH
8	1/2 BOLT, NUT, FLAT WASHER, AND LOCK WASHER			RATCHET
				TORQUE WRENCH

STEP 1: Using 1/2 inch hardware, loosely install mounting brackets on the outside of truck frame rails with the offset inwards. Refer to figure 1 and 2. DO NOT TIGHTEN mounting hardware.

STEP 2: Install bumper onto mounting brackets with brackets outside of bumper hitch. See figure 2. Use remaining 1/2 inch hardware. DO NOT TIGHTEN.

STEP 3: Position bumper squarely to tailgate and allow clearance for tailgate to open. Tighten hardware as follows: 1/2 to 60-65 ft lbs

STEP 4: Using square plastic grommets and sheet metal screws, install license plate. See figure 3.

STEP 5: Install pop lights into bumper (figure 4). Using supplied connectors, splice pop light wires into truck illumination wire as shown in figure 4. Make sure license plate lights are working properly.

