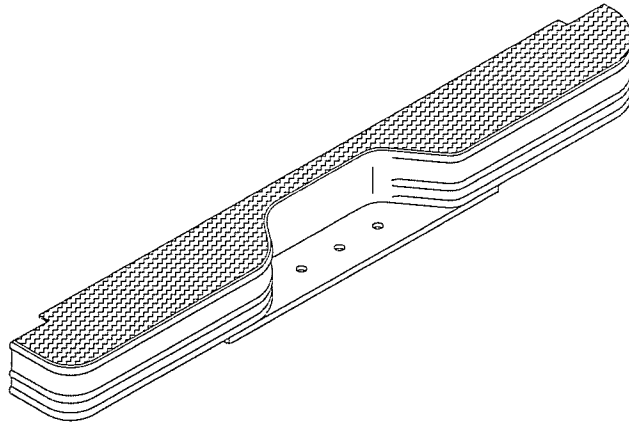




INSTALLATION INSTRUCTIONS

APPLICATION: 1992-UP FORD VAN
 BUMPER #20105/21105/20107



BUMPER WIDTH: 74.75
HITCH WIDTH: 41.75

QTY	PARTS KIT CONTENTS DESCRIPTION	TOOLS REQUIRED
1 2 8	BUMPER MOUNTING BRACKETS 1/2 BOLT, LOCK WASHER, WASHER AND HEX NUT	3/4" SOCKET & 4" EXTENSION 3/4" WRENCH RATCHET TORQUE WRENCH

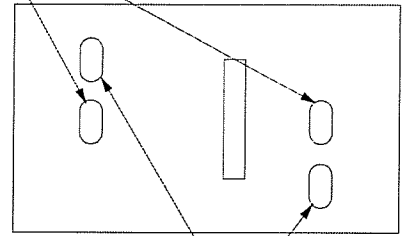
STEP 1: Remove the contents from the box and check for any damage. Verify all parts against the parts list. Read and understand instructions completely before beginning installation.

STEP 2: Using 1/2" hardware, loosely install mounting brackets onto the end of frame. Rear to figure 1 AND 2. **DO NOT TIGHTEN** mounting hardware.

STEP 3: Install bumper onto mounting brackets. See figure 2. Use remaining 1/2" hardware. **DO NOT TIGHTEN.**

STEP 4: Position bumper squarely to van body and allow clearance for rear doors to open. Tighten & Torque hardware to 60-65 ft-lbs.

1993 & DOWN
USE THESE HOLES



1994 & UP
USE THESE HOLES

FIGURE 1
(PASSENGER SIDE SHOWN)

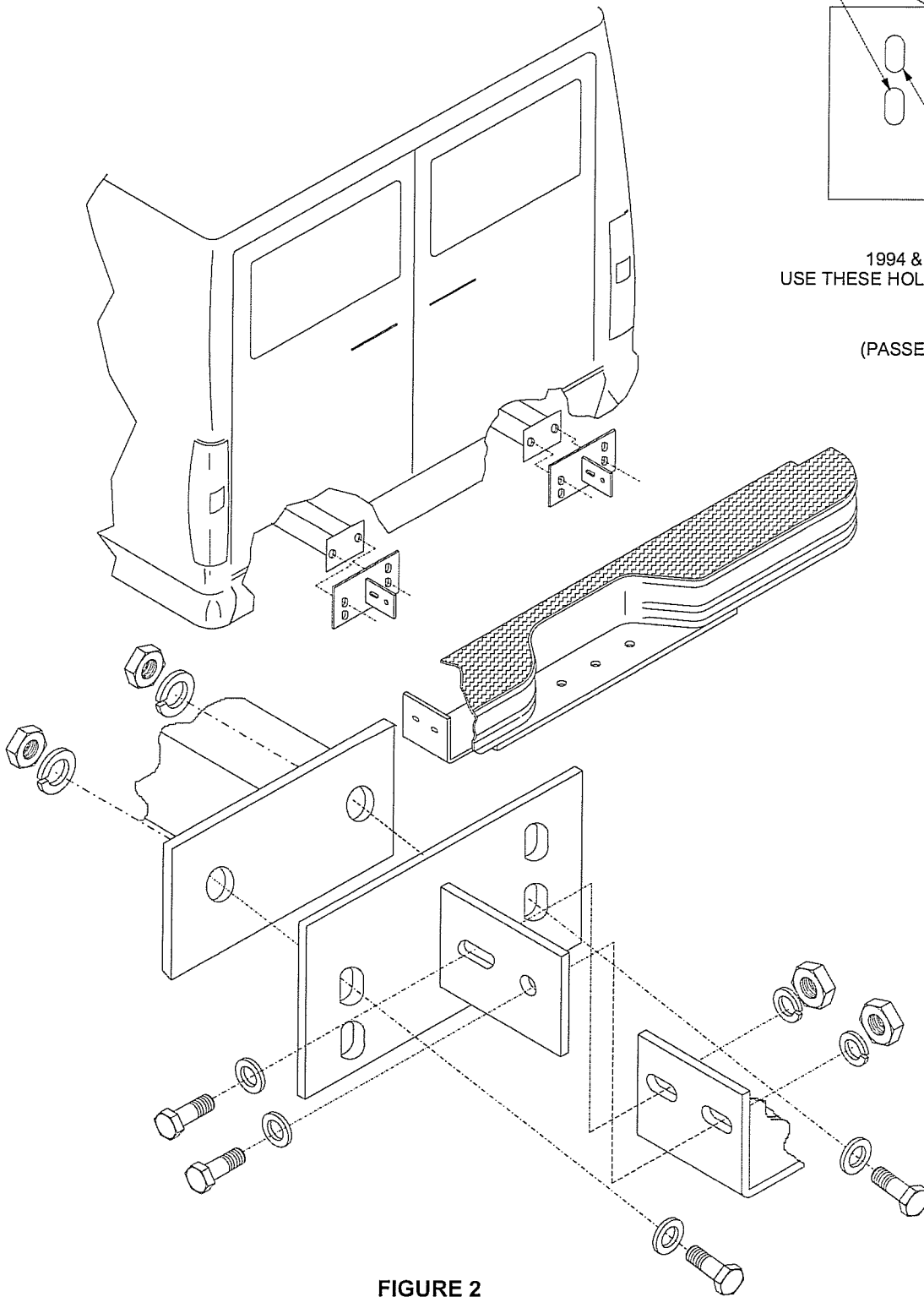


FIGURE 2