



AUTOMOTIVE PRODUCTS,

INSTALLATION INSTRUCTIONS

PRO TRAXX 4 & 5 OVAL TUBE STEP BAR

APPLICATION:

2007-2017 Toyota Tundra Double Cab / Crew Max

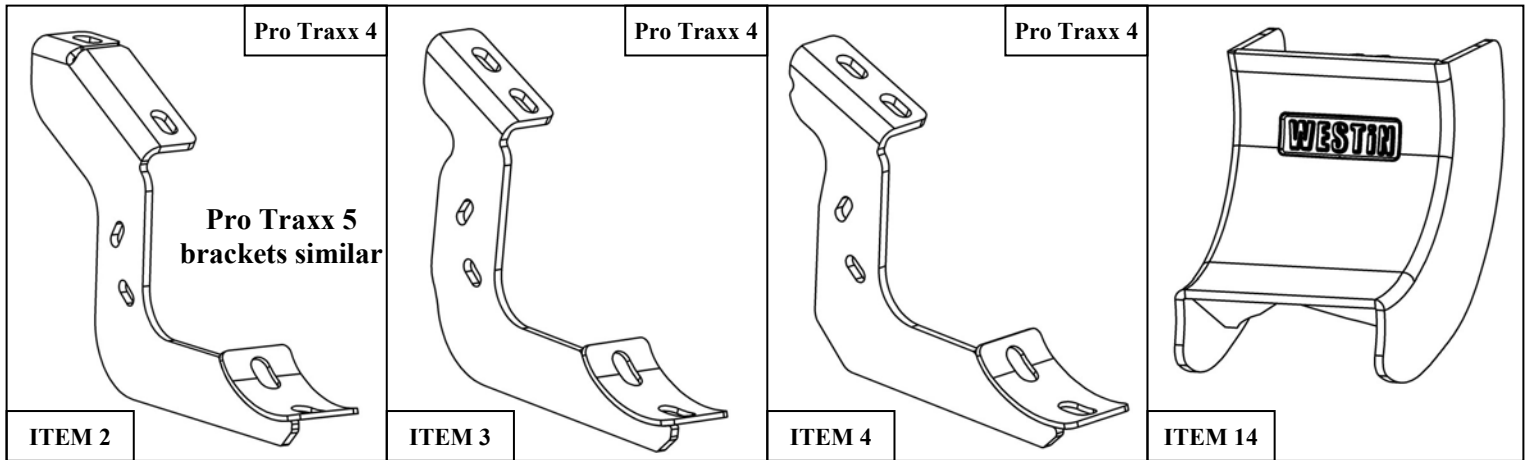
PART NUMBER:

21-23240, 21-23245, 21-23250, 21-23255

21-53240, 21-53245, 21-53250, 21-53255

ITEM	QUANTITY	DESCRIPTION	TOOLS NEEDED
1	2	STEP BARS	13MM SOCKET
2	2	FRONT MOUNTING BRACKETS	12MM SOCKET
3	2	CENTER MOUNTING BRACKETS	HEX KEY TOOL
4	2	REAR MOUNTING BRACKETS	RATCHET
5	12	M8 HEX HEAD CAP SCREW (YELLOW ZINC)	TORQUE WRENCH
6	12	M8 FLAT WASHER (YELLOW ZINC)	
7	12	M8 SPRING LOCK WASHER (YELLOW ZINC)	
8	12	M10 BUTTON HEAD SOCKET CAP SCREW (BLACK ZINC)	
9	12	M10 INTERNAL TOOTHED LOCK WASHER (BLACK ZINC)	
10	12	M10 FLAT WASHER (BLACK ZINC)	
11	12	M6 HEX HEAD CAP SCREW (YELLOW ZINC)	
12	24	M6 FLAT WASHER (YELLOW ZINC)	
13	12	M6 NYLON NUT (YELLOW ZINC)	
14	6	PLASTIC BRACKET COVER	

ANTI-SEIZE LUBRICANT MUST BE USED ON ALL STAINLESS STEEL FASTENERS TO PREVENT THREAD DAMAGE AND GALLING



Care Instructions

- REGULAR WAXING IS RECOMMENDED. DO NOT USE ANY TYPE OF POLISH OR WAX THAT MAY CONTAIN ABRASIVES.
- STAINLESS STEEL PRODUCTS CAN BE CLEANED WITH MILD SOAP AND WATER. STAINLESS STEEL POLISH SHOULD BE USED TO POLISH SMALL SCRATCHES.
- GLOSS BLACK FINISHES SHOULD BE CLEANED WITH MILD SOAP AND WATER.

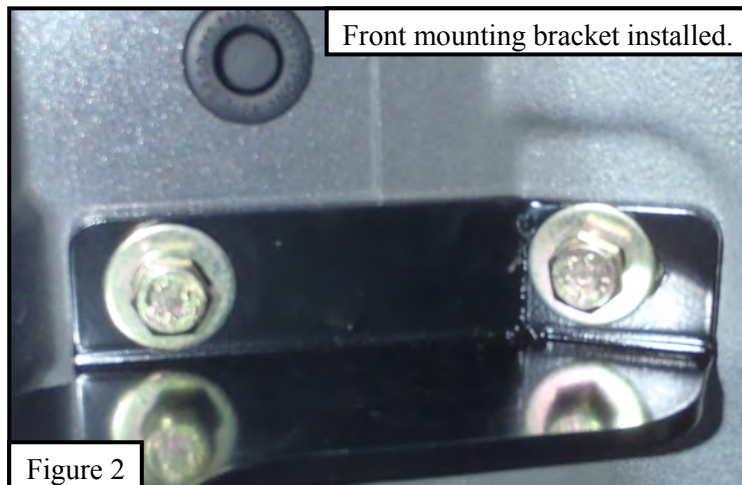
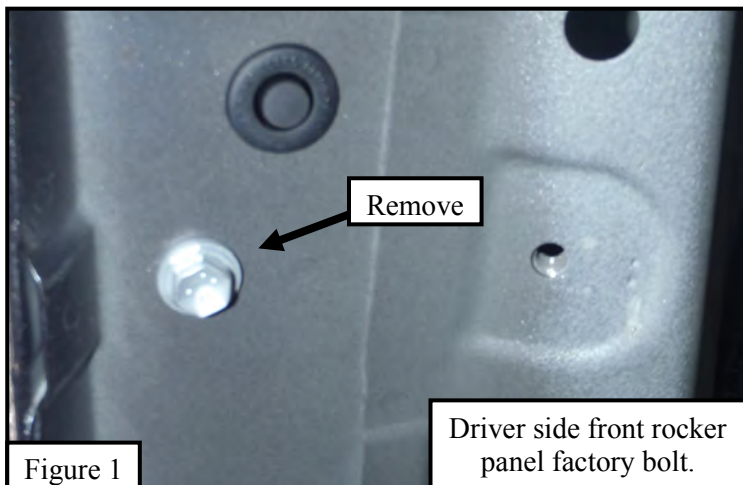


Westin Automotive Products, Inc.
320 W. Covina Blvd
San Dimas, Ca. 91773

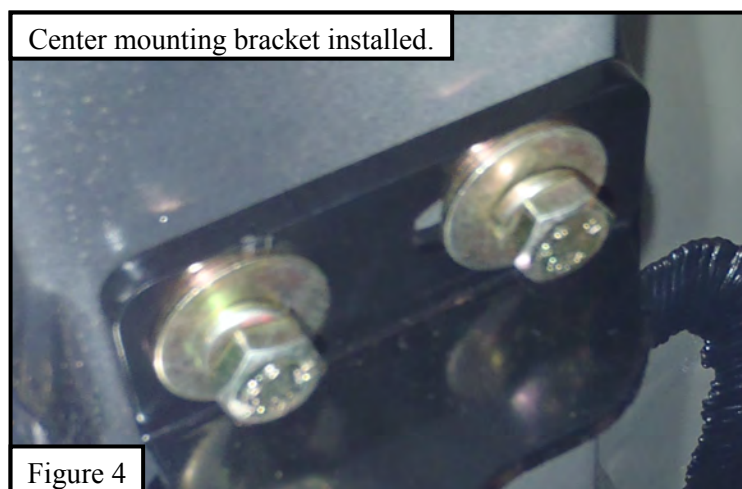
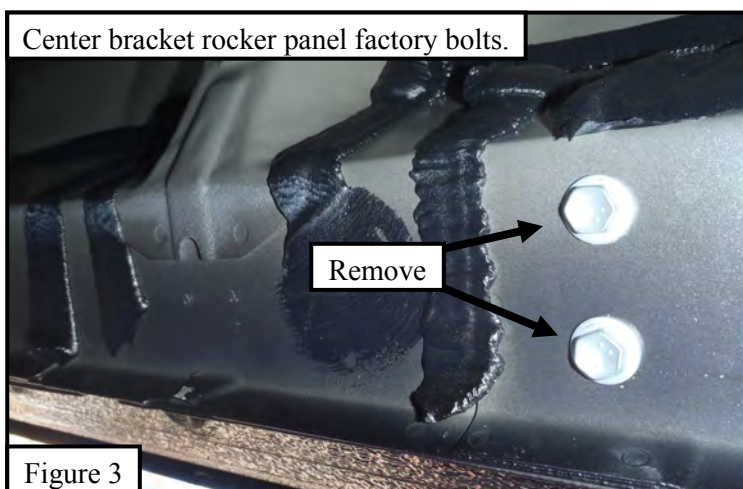
Thank you for choosing Westin products
for additional installation assistance please call
Customer Service (800) 793-7846
www.westinautomotive.com

PROCEDURE

1. Remove contents from box, verify if all parts listed are present and free from damage.
Carefully read and understand all instructions before attempting installation.
Failure to identify damage before installation could lead to a rejection of any claim.
2. Starting at the driver side front remove the factory rocker panel bolt and set aside. See **Figure 1**. **Note:** The factory bolts will not be re-installed.
3. Install the front mounting bracket (Item 2) using (2) M8 hex head cap screws (Item 5), (2) M8 flat washers (Item 6), and (2) M8 lock washers (Item 7). See **Figure 2**. *Do not fully tighten at this time.*



4. Remove the two center rocker panel factory hex head cap screws located near the rear of the drivers door and set aside. See **Figure 3**.
5. Install the center mounting bracket (Item 3) using (2) M8 hex head cap screws (Item 5), (2) M8 flat washers (Item 6), and (2) M8 lock washers (Item 7). See **Figure 4**. *Do not fully tighten at this time.*
6. Repeat **Steps 4 and 5** for the rear mounting bracket (Item 4).



Westin Automotive Products, Inc.
320 W. Covina Blvd
San Dimas, Ca. 91773

7. Locate (1) plastic bracket cover (Item 14) and loosely secure it to the (6) brackets using the provided hardware: (2) M6 hex head cap screws, (4) M6 flat washers, and (2) M6 nylon nuts. Repeat for every bracket. See **Figure 5**.
8. Take the drivers side step bar (Item 1) and place it on the mounting cradles and align the mounting holes. Attach using (6) M10 button head cap screws (Item 8), (6) M10 toothed lock washers (Item 9), and (6) M10 flat washers (Item 10) . See **Figure 6** **Note:** The drivers side step tube will be packaged in a clear poly tube and the passenger side will be packaged in a red poly tube, the Westin logo should face outward when installed.

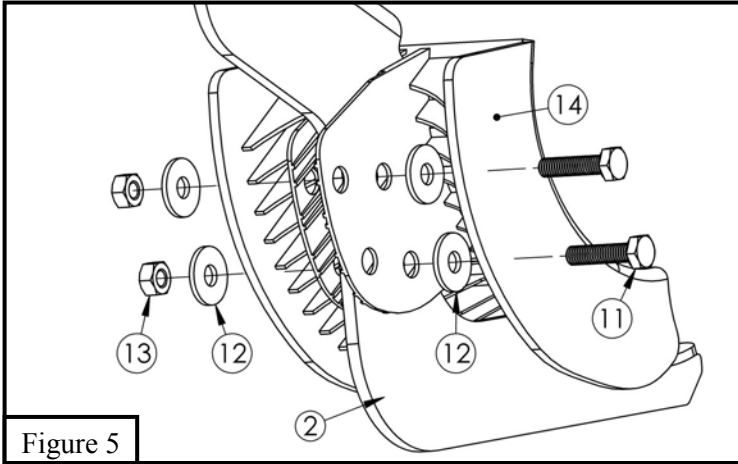


Figure 5



Figure 6

9. Align and adjust step bars as needed and tighten all hardware at this time. Torque all M8 fasteners to 15-18 ft-lbs, M10 fasteners to 30-35 ft-lbs, and M6 fasteners to 5-7 ft-lbs.
10. Follow the same steps to install the passenger side mounting brackets and step bar.



Westin Automotive Products, Inc.
320 W. Covina Blvd
San Dimas, Ca. 91773

Westin

SIGNATURE OF QUALITY

AUTOMOTIVE PRODUCTS, INC.



WARNING



Failure to follow these instructions could lead to death, personal injury, and / or property damage.

FASTENERS:

All Westin supplied fasteners must be utilized and installed in accordance with the installation instructions and apply torque to the specifications as defined. **DOUBLE CHECK ALL FASTENERS BEFORE INITIAL USE, AND PERIODICALLY IN THE FUTURE TO ENSURE PROPER FUNCTION AND SAFETY.**

DRILLING:

Most Westin products do not require drilling for installation. If drilling is defined as required, use caution when drilling a vehicle. **FAILURE TO REVIEW AN AREA TO BE DRILLED MAY RESULT IN PERSONAL INJURY AND/OR INJURY TO OTHERS AS WELL AS VEHICLE DAMAGE.**

EYE PROTECTION:

ALWAYS WEAR SAFETY GLASSES OR GOGGLES DURING THE INSTALLATION PROCESS TO AVOID PERSONAL INJURY.

MAXIMUM TOWING/CARRYING CAPACITY:

The Westin Receiver Hitches will have a visible tow rating label affixed directly on the product. User should never exceed the vehicle manufacturers maximum tow and weight rating regardless of the capacity of the hitch. **FAILURE TO FOLLOW THESE GUIDELINES WILL VOID THE WESTIN WARRANTY AND MAY RESULT IN PERSONAL INJURY AND/OR INJURY TO OTHERS AS WELL AS VEHICLE DAMAGE.**

Westin
SIGNATURE OF QUALITY

Westin Automotive Products, Inc.
320 W. Covina Blvd
San Dimas, Ca. 91773