



**INSTALLATION INSTRUCTIONS**

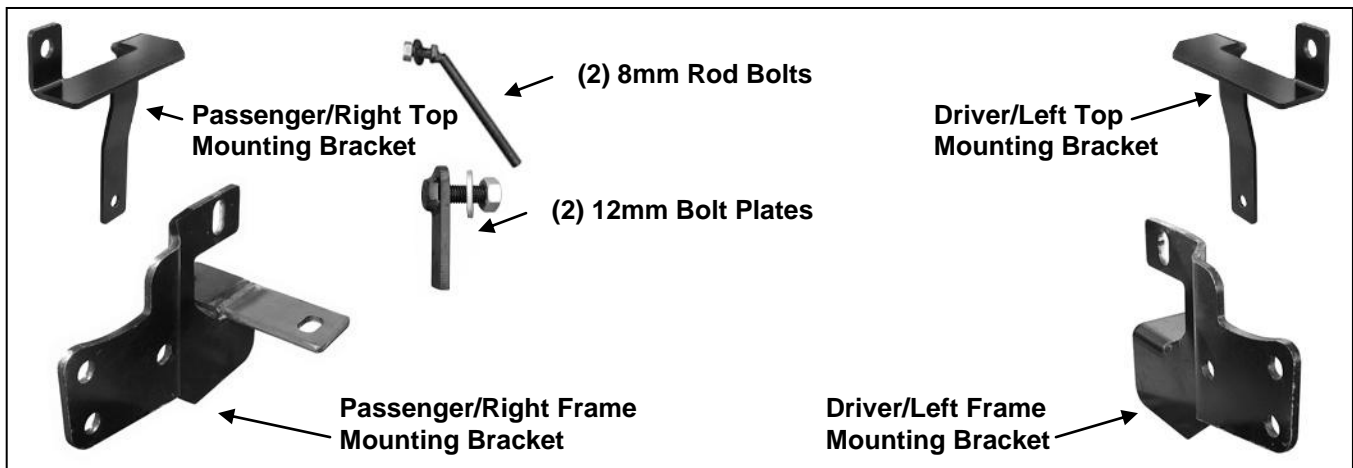
**GRILLE GUARD**

**07-16 JEEP J/K WRANGLER**

**P/N 1050**

**PARTS LIST:**

1	Grille Guard	8	12-1.75mm x 30mm Hex Bolts
1	Driver/Left Frame Mounting Bracket	18	12mm x 24mm OD x 2.5mm Flat Washers
1	Passenger/Right Frame Mounting Bracket	10	12-1.75mm Nylon Lock Nuts
1	Driver/Left Top Mounting Bracket	2	10-1.5mm x 30mm Button Head Bolts
1	Passenger/Right Top Mounting Bracket	4	10mm x 20mm OD x 2mm Flat Washers
2	8mm Special Rod Bolts	2	10mm Nylon Lock Nuts
2	12mm x 35mm Bolt Plates	2	8mm x 28mm OD x 3mm Large Flat Washers
2	12mm Plastic Retainers	2	8mm Nylon Lock Nuts



**PROCEDURE:**

- 1. REMOVE CONTENTS FROM BOX. VERIFY ALL PARTS ARE PRESENT. READ INSTRUCTIONS CAREFULLY BEFORE STARTING INSTALLATION. CUTTING IS REQUIRED. ASSISTANCE IS RECOMMENDED.**
- Start under the front bumper of the vehicle and remove the plastic lower splash guard, **(Figure 1)**.
- Remove the front bumper assembly, **(Figures 1—3)**. On models with factory fog lights, unplug fog lights before removing bumper, **(Figure 2A)**. **IMPORTANT:** Grille Guard Brackets can be installed without removing the bumper but Bracket installation and fill panel modification is easier with bumper removed.
- Remove the plastic fill panel attached to the top of the frame. Locate the (2) holes for the factory attaching pins. Use removable tape, (masking tape), to create a straight line from mounting hole to hole across the width of the cover. Starting on the passenger side, place a mark 1-3/4" from the center of the mounting hole toward the center of the cover, **(Figure 4A)**. Next, draw a 1-3/4" long line from the tape forward, front to back on the cover ending at the front edge, **(Figure 4B)**. Draw a parallel line 3/8" again toward center of cover. **IMPORTANT:** Place cover in position and check all reference marks before cutting.
- Cut a 1-3/4" long, 3/8" wide slot as indicated. Slide the passenger side Top Bracket through the slot and check for clearance. **NOTE:** Only cut slots large enough to clear the Brackets. **IMPORTANT!** Do not cut completely through front edge of the fill panel, **(Figures 4A & 4B)**.
- Repeat **Steps 4 & 5** to cut the slot for the driver side Top Bracket. Reinstall the fill panel.
- Select the passenger side Top Bracket, **(Figure 5)**. Slide the Bracket down through the slot in the fill panel and into the channel on the frame upright, **(Figure 6)**. Select (1) 8mm Rod Bolt, **(Figure 5)**. Insert the Rod Bolt into the opening at the outer corner of the base on the frame upright, **(Figure 7A)**. Feed the Rod Bolt through the holes in the upright, the Top Bracket and out the side of the channel, **(Figure 7B)**. Secure the Rod Bolt to the Top Bracket with the included (1) 8mm Flat Washer and (1) 8mm Nylon Lock Nut, **(Figure 8)**. Do not fully tighten hardware at this time.
- Repeat **Step 7** to install the driver side Top Bracket, **(Figure 16)**.
- Reinstall the front bumper and fog lights if equipped.
- Next, select (1) 12mm Bolt Plate and (1) 12mm Plastic Retainer, **(Figure 9)**. Slide the Bolt Plate under the inner side of the passenger side frame upright and up to and through the hole in the side of the upright,

(Figures 10 & 11). Thread the Plastic Retainer onto the threaded end of the Bolt Plate, (Figure 12). **NOTE:** The Retainer is designed to help hold the Bolt Plate in position during Bracket installation.

11. Select the passenger side Frame Bracket, (Figure 10). Hold the Bracket up in position against the bottom of the cross member. Attach the upper tab on the Bracket to the Bolt Plate with (1) 12mm Flat Washer and (1) 12mm Nylon Lock Nut, (Figure 13). Leave loose at this time. Line up the remaining mounting hole on the Frame Bracket with the hole in the bottom of the cross member. Attach the Bracket to the cross member with (1) 12mm x 30mm Hex Bolt, (2) 12mm Flat Washers and (1) 12mm Nylon Lock Nut. Do not tighten hardware.

**Note for Passenger side Frame Bracket installation only:**

**07—09 models** will use the outer mounting location, (Figure 14).

**2010—16 models** will use the inner mounting location, (Figure 13).

12. Repeat **Step 10** to install the driver side Frame Bracket, (Figure 15).
13. With assistance, lift the Grille Guard up to the inside of the Frame Brackets. Line up the holes in the Frame Brackets with the holes in the Grille Guard. Attach the Grille Guard to the Frame Brackets with (6) 12-1.75mm x 30mm Hex Bolts, (12) 12mm Flat Washers and (6) 12mm Nylon Lock Nuts, (Figures 14 & 15). Push the grille guard back into an upright position. Secure the Top Brackets to the inside of the grille guard with the included (2) 10mm x 30mm Button Head Allen Bolts, (4) 10mm Flat Washers and (2) 10mm Nylon Lock Nuts, (Figures 8 & 16). Snug but do not tighten all of the hardware.
14. Stand back from the vehicle and check to see that the Grille Guard is centered and level on the vehicle and adjust as required. It may be necessary to slightly loosen the Frame Brackets to properly align the Grille Guard. **IMPORTANT:** Once properly aligned, fully tighten all Bracket to vehicle hardware only. Temporarily remove the Grille Guard.
15. Hold the plastic lower splash guard up in its original position against the Frame Brackets. Mark the location of the Frame Brackets onto the inside of the splash guard, (Figure 17). Cut out the sections to clear the Mounting Brackets. Check for clearance, trim as required and reinstall the cover using the factory hardware. **IMPORTANT:** To maintain strength, remove as little material from the plastic splash guard as possible. Do not cut completely through the front or rear edge of the splash guard.
16. Repeat **Step 13** to reinstall the Grille Guard and fully tighten all hardware.
17. Do periodic inspections of the installation to make sure that all hardware is secure and tight.

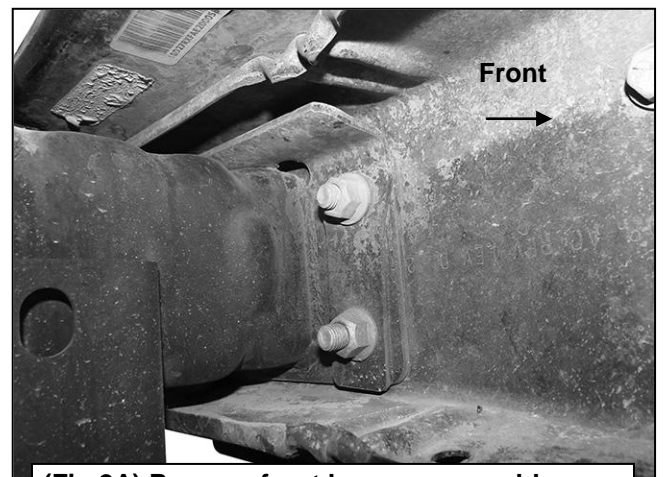
**To protect your investment,** wax this product after installing. Regular waxing is recommended to add a protective layer over the finish. Do not use any type of polish or wax that may contain abrasives that could damage the finish.

**For stainless steel:** Aluminum polish may be used to polish small scratches and scuffs on the finish. Mild soap may be used also to clean the Grille Guard.

**For gloss black finishes:** Mild soap may be used to clean the Grille Guard.

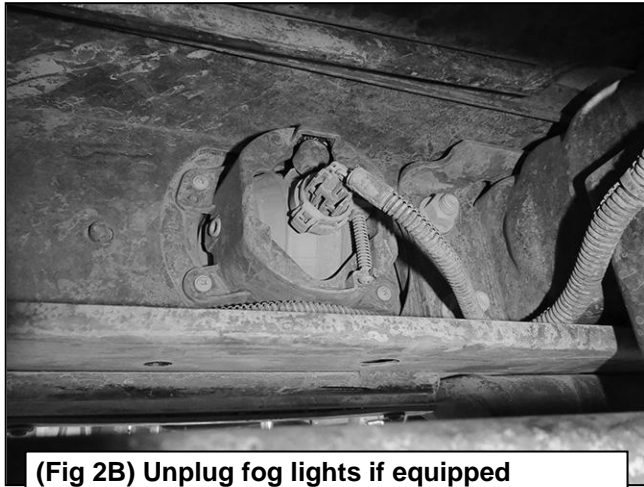


(Fig 1) Temporarily remove plastic splash guard



(Fig 2A) Remove front bumper assembly (passenger side outer bumper bolts pictured)

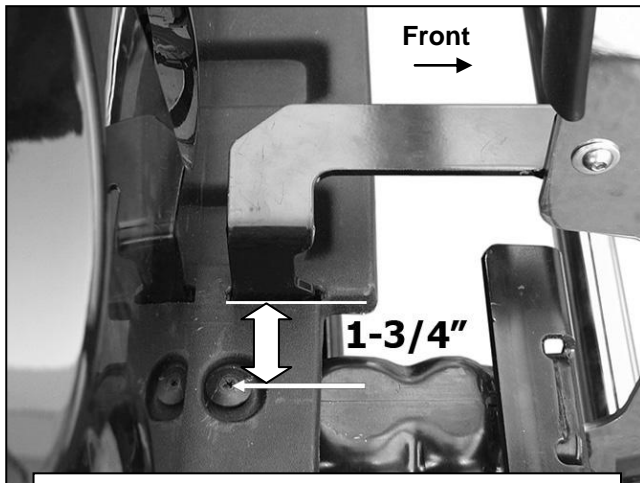
### Passenger Side Installation Pictured



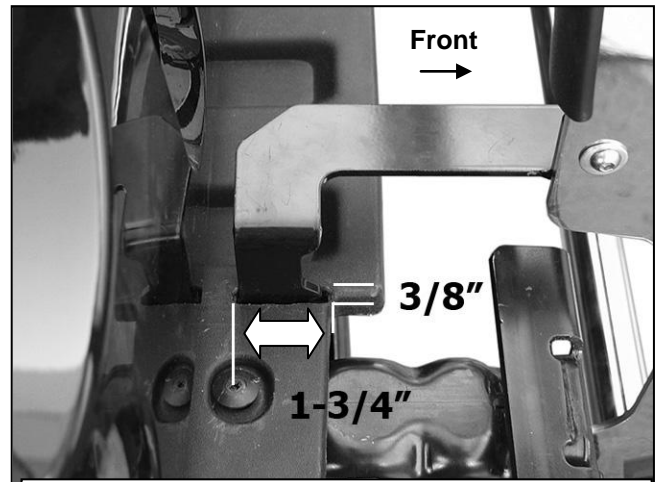
(Fig 2B) Unplug fog lights if equipped (passenger side inner bumper bolts pictured)



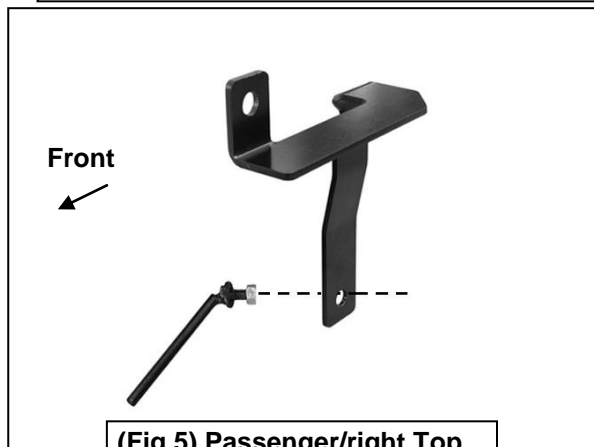
(Fig 3) Remove plastic cover from top of frame



(Fig 4A) Slots must be cut through plastic cover to clear Top Brackets (passenger side pictured with Top Bracket and Grille Guard)



(Fig 4B) Do not cut through front edge of cover

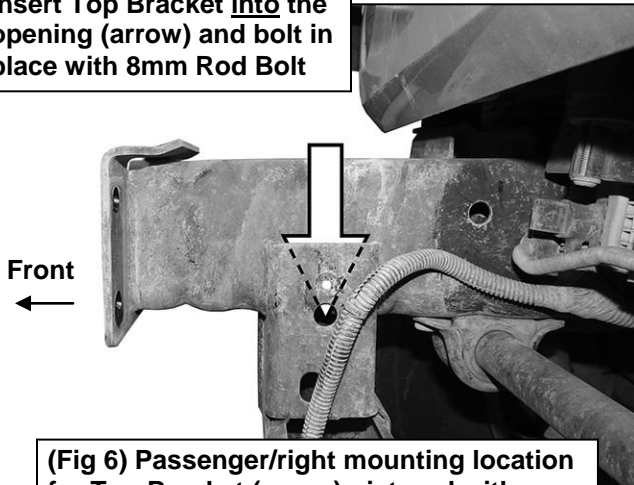


(Fig 5) Passenger/right Top Bracket and 8mm Rod Bolt

**Reinstall the plastic fill panel and front bumper after slots have been cut through fill panel for Top Brackets**

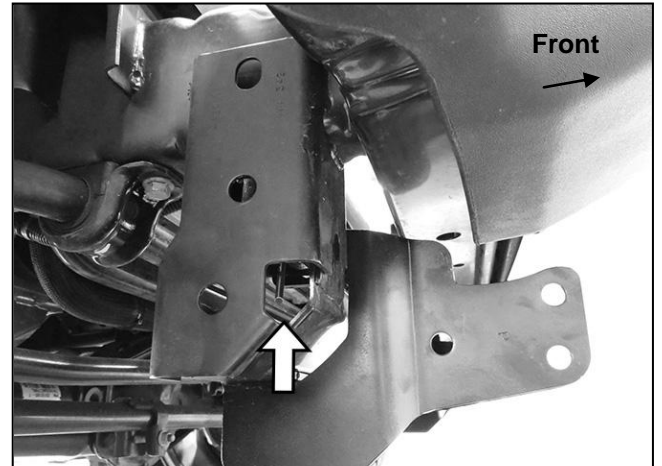
### Passenger Side Installation Pictured

Insert Top Bracket into the opening (arrow) and bolt in place with 8mm Rod Bolt

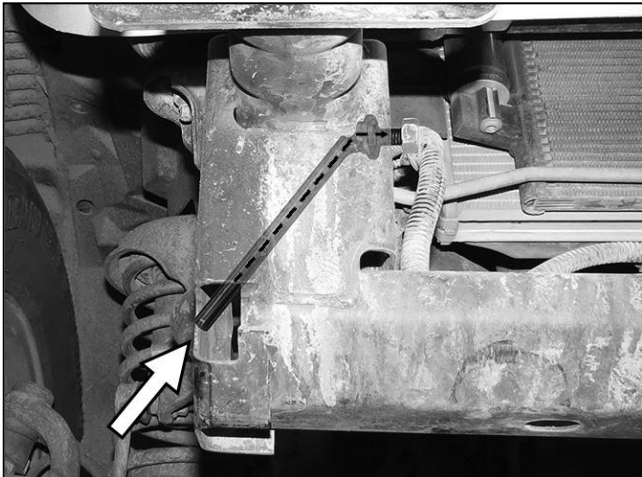


(Fig 6) Passenger/right mounting location for Top Bracket (arrow) pictured with bumper removed for reference only

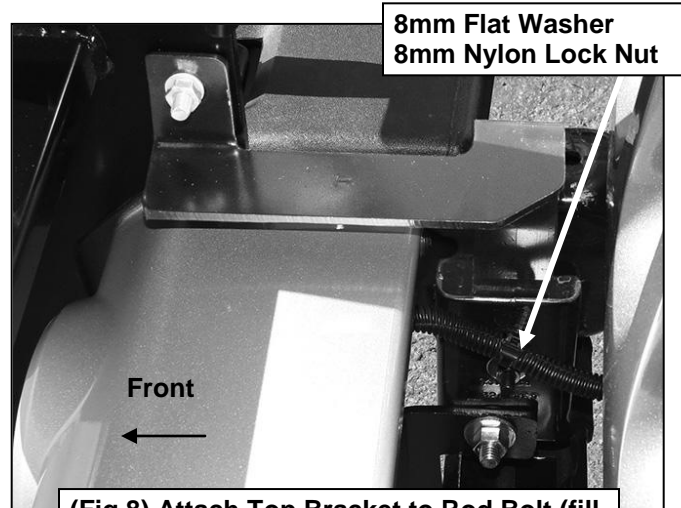
Reinstall the plastic fill panel and front bumper after slots have been cut through fill panel for Top Brackets



(Fig 7A) Insert 8mm Rod Bolt up through opening in corner of frame upright, (arrow) through hole in Top Bracket and out the side of frame upright



(Fig 7B) Insert 8mm Rod Bolt up through opening in corner of frame upright, (arrow) through hole in Top Bracket and out the side of frame upright

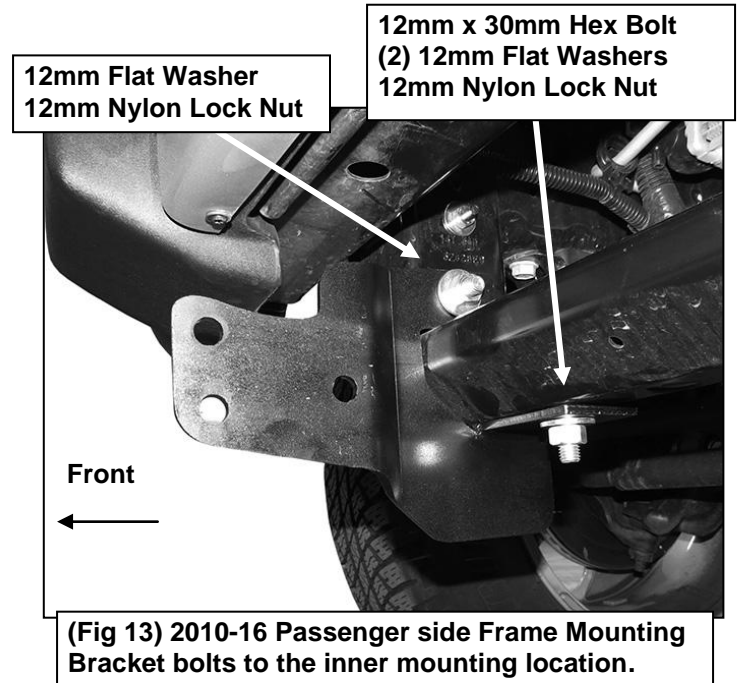
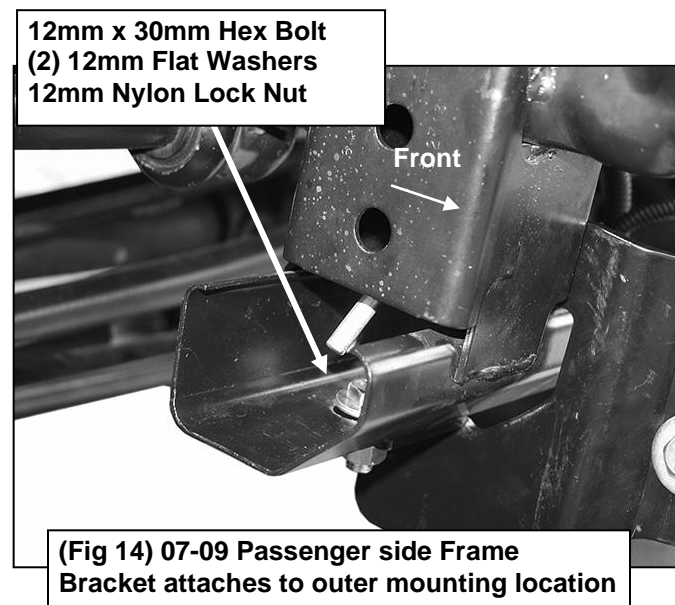
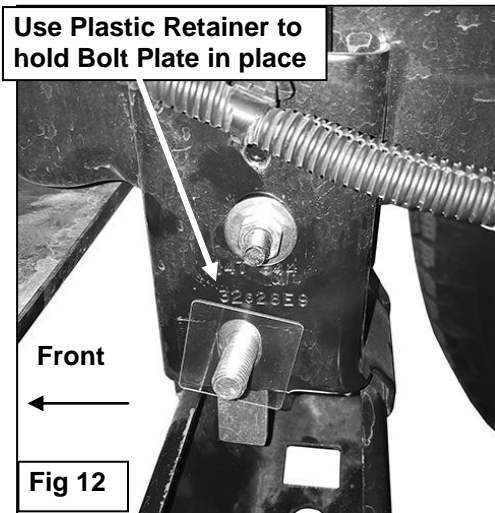
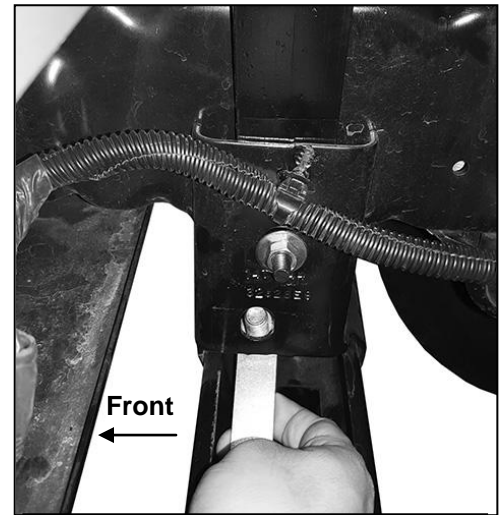
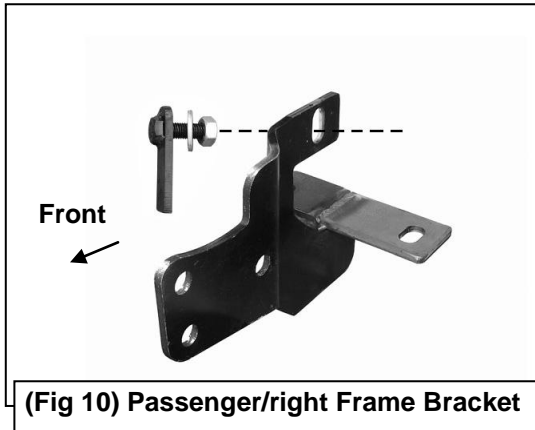


(Fig 8) Attach Top Bracket to Rod Bolt (fill panel removed for instruction purposes)



(Fig 9) 12mm Bolt Plate

### Passenger Side Installation Pictured





12mm x 30mm Hex Bolt  
(2) 12mm Flat Washers  
12mm Nylon Lock Nut

(Fig 15) All Driver/left side Frame Bracket installation



(1) 10mm x 30mm Button  
Head Allen Bolt  
(2) 10mm Flat Washers  
(1) 10mm Nylon Lock Nut

(Fig 16) All Driver/left side Top Bracket installation



Once the Mounting Brackets and Grille Guard have been installed and checked for alignment, temporarily remove Grille Guard only. Hold the splash guard up in position against the Frame Brackets. Mark the cut area on the inside of the cover. Start with a small opening and slowly enlarge the opening to get the best fit around the brackets. Reinstall the Grill Guard. Area cut from cover pictured for example only.

Fig 17



Complete Installation