

11060**TOYOTA YARIS 4 DOOR SEDAN****12/30/2020****GROSS LOAD CAPACITY WHEN USED AS A WEIGHT CARRYING HITCH: 2,000 LBS. TRAILER WEIGHT & 200 LBS. TONGUE WEIGHT.*******DO NOT EXCEED VEHICLE MANUFACTURER'S RECOMMENDED TOWING CAPACITY.*******WARNING: ALL NON-TRAILER LOADS APPLIED TO THIS PRODUCT MUST BE SUPPORTED BY AUXILIARY STABILIZING STRAPS.****** FAILURE TO PROPERLY SUPPORT NON-TRAILER LOADS WILL VOID PRODUCT WARRANTY******HAVING INSTALLATION QUESTIONS? CALL TECHNICAL SUPPORT AT 1-877-287-8634**

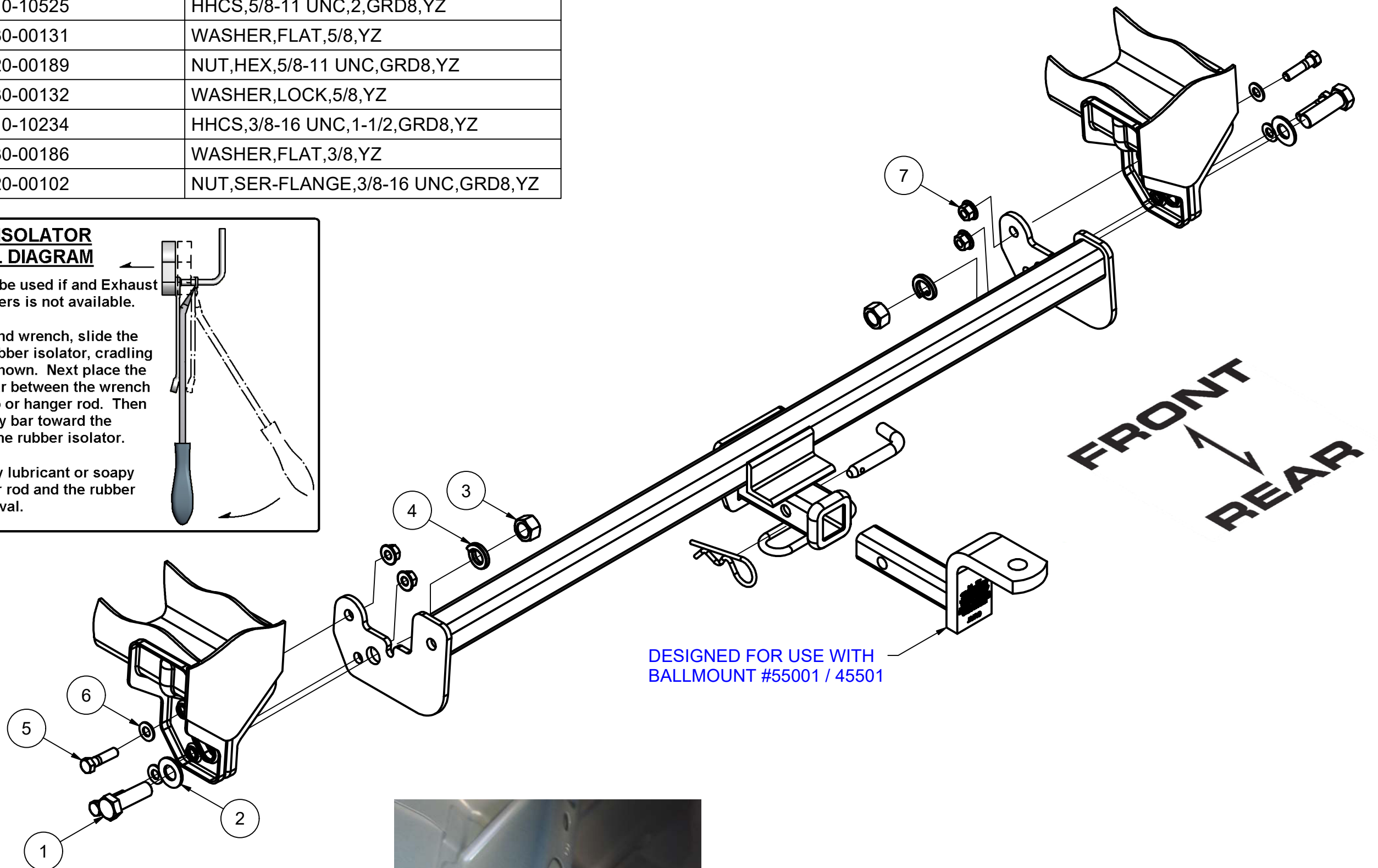
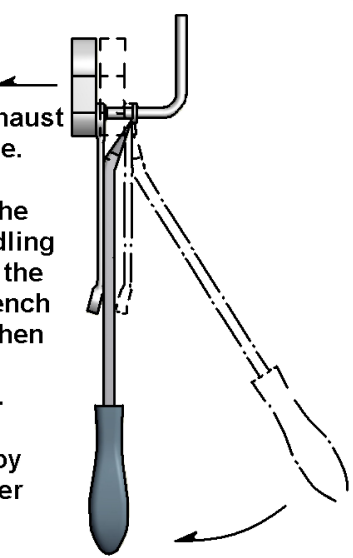
Parts List			
ITEM	QTY	PART NUMBER	DESCRIPTION
1	2	10-10525	HHCS,5/8-11 UNC,2,GRD8,YZ
2	2	30-00131	WASHER,FLAT,5/8,YZ
3	2	20-00189	NUT,HEX,5/8-11 UNC,GRD8,YZ
4	2	30-00132	WASHER,LOCK,5/8,YZ
5	4	10-10234	HHCS,3/8-16 UNC,1-1/2,GRD8,YZ
6	4	30-00186	WASHER,FLAT,3/8,YZ
7	4	20-00102	NUT,SER-FLANGE,3/8-16 UNC,GRD8,YZ

**RUBBER ISOLATOR
REMOVAL DIAGRAM**

This technique can be used if and Exhaust Hanger Removal Pliers is not available.

Using a 5/8" open end wrench, slide the wrench up to the rubber isolator, cradling the hanger rod as shown. Next place the flat edge of a pry bar between the wrench and the hanger stop or hanger rod. Then simply rotate the pry bar toward the wrench to remove the rubber isolator.

Note: Using a spray lubricant or soapy water on the hanger rod and the rubber isolator helps removal.



BEND MIDDLE TAB OR CUT OFF TO ALLOW CLEARANCE FOR HITCH

HITCH WEIGHT: 23 LBS.

INSTALL TIME

PROFESSIONAL: 35 MINUTES

NOVICE (DIY): 70 MINUTES

INSTALL NOTES:

- LOWER EXHAUST
- UNFASTEN LOWER FASCIA
- MODIFY MIDDLE TAB OF TRUNK PAN
- NO DRILLING REQUIRED

NOTE:
HITCH ATTACHES TO THE TIE-DOWN
BRACKETS ON BOTH SIDES

INSTALLATION STEPS

1. Remove underbody panel, 7 push-button fasteners (if present).
2. Lower exhaust by removing (3) rubber exhaust hangers.
3. Remove (2) plastic bumper fascia tab fasteners.
4. Raise hitch into position and install supplied fasteners as shown.
5. Torque all 3/8" fasteners to 45 lb-ft and all 5/8" fasteners to 210 lb-ft.
6. Re-install bumper fascia tabs and rubber exhaust hangers to original position.
7. If underbody panel was removed, trim as required and re-install on vehicle.

PERIODICALLY CHECK THIS RECEIVER HITCH TO ENSURE THAT ALL FASTENERS ARE TIGHT AND THAT ALL STRUCTURAL COMPONENTS ARE SOUND.

Curt Manufacturing Inc., warrants this product to be free of defects in material and/or workmanship at the time of retail purchase by the original purchaser. If the product is found to be defective, Curt Manufacturing Inc., may repair or replace the product, at their option, when the product is returned, prepaid, with proof of purchase. Alteration to, misuse of, or improper installation of this product voids the warranty. Curt Manufacturing Inc.'s liability is limited to repair or replacement of products found to be defective, and specifically excludes liability for incidental or consequential loss or damage.

249060 / 247060