



11068 INSTALLATION INSTRUCTIONS



Safety glasses should be worn at all times while installing this product.

YEARS: 2009-PRESENT

MAKE: INFINITI

MODEL: G37 & Q60 POWER RETRACTABLE HARD TOP

STYLE: CONVERTIBLE

WARNING: NEVER EXCEED YOUR VEHICLE MANUFACTURER'S RECOMMENDED TOWING CAPACITY

WEIGHT CARRYING:
TRAILER WEIGHT: 1,500 LBS.
TONGUE WEIGHT: 150 LBS.

WARNING:
WE RECOMMEND THE USE OF 18050 STABILIZING STRAPS FOR ALL NON-TRAILER (WHEEL-LESS) LOADS. PLEASE SEE THE CURT CATALOG OR VISIT US ONLINE AT WWW.CURTMFG.COM FOR FURTHER INFORMATION.

INSTALLATION TIME: 90 MIN.

THE INSTALL TIME LISTED IS FOR PROFESSIONAL INSTALLERS. IF YOU ARE HESITANT TO UNDERTAKE THIS TASK ON YOUR OWN, CONTACT AN AUTHORIZED CURT INSTALLER FOR ADDITIONAL ASSISTANCE.

INSTALLATION TIPS:

1. BEFORE YOU BEGIN INSTALLATION, READ ALL INSTRUCTIONS THOROUGHLY.
2. TO EASE INSTALLATION, 2 PEOPLE MAY BE REQUIRED.
3. USING PROPER TOOLS WILL GREATLY IMPROVE THE QUALITY OF THE INSTALL AND REDUCE THE TIME REQUIRED.
4. NEED HELP OR HAVE SOME QUESTIONS? CALL TECHNICAL SUPPORT AT 800.798.0813

VEHICLE PHOTO:

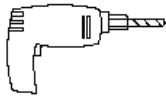
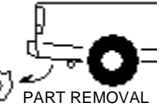



REPRESENTATIVE PHOTO

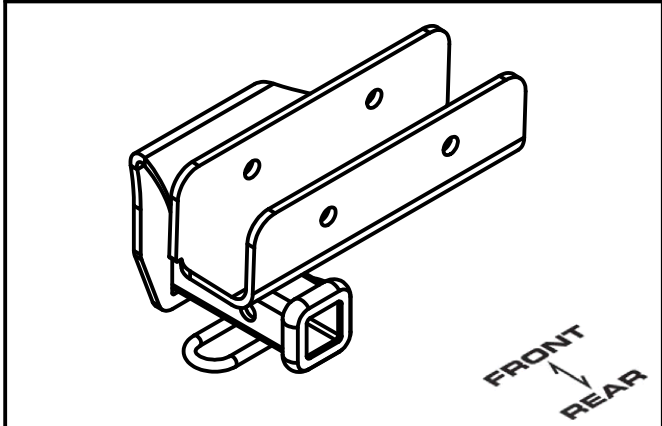
INSTALLATION REQUIRES:

 RATCHET	 TORQUE WRENCH	 3/4" 10mm 8mm SOCKET
 SCREW DRIVER	 POWER DRILL	 DRILL BIT 17/32"
 3" SOCKET EXTENSION	 ROTARY TOOL	 MARKER
 TAPE MEASURE		

LEVEL OF DIFFICULTY: HARD

EASY	MODERATE	HARD
	DRILL BUMPER BEAM	
	REMOVE BUMPER COVER (OPTIONAL)	
	TRIM BUMPER COVER (OPTIONAL)	

HITCH ILLUSTRATION:



MAKE SURE YOUR HITCH MATCHES

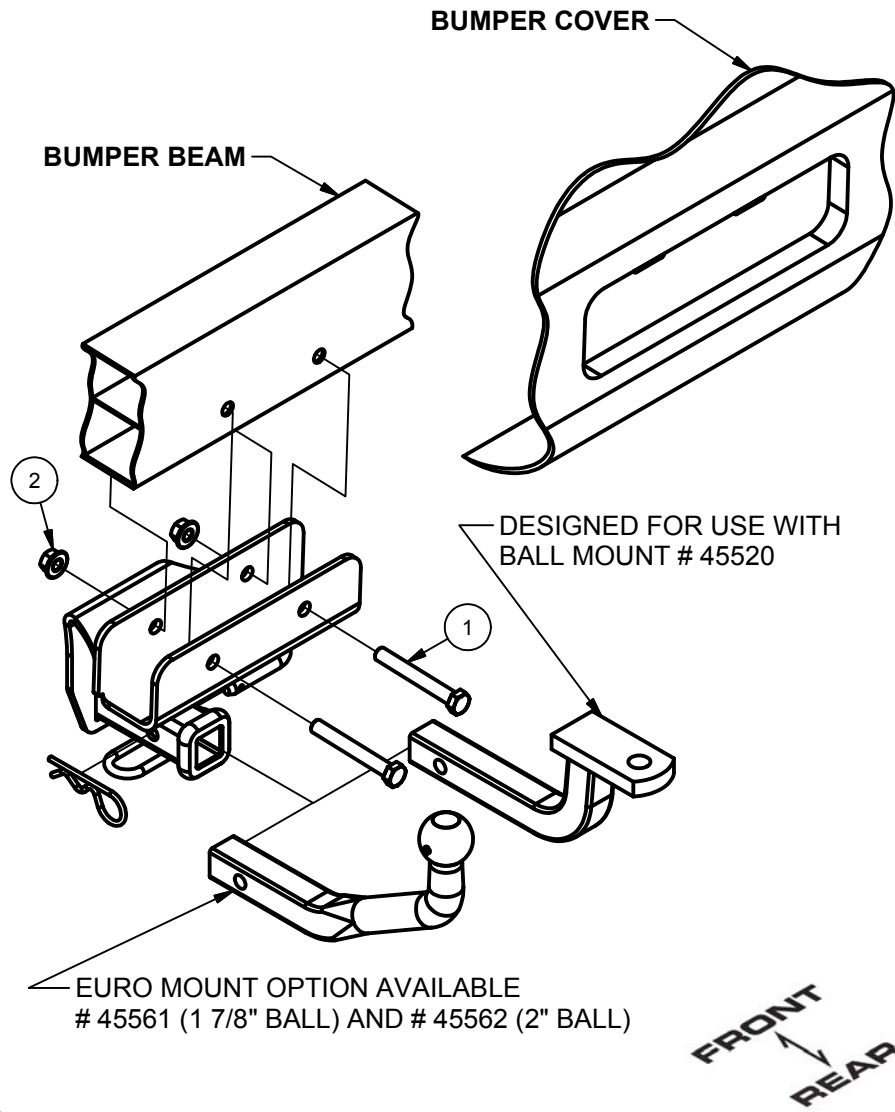
PERIODICALLY CHECK THIS RECEIVER HITCH TO ENSURE ALL FASTENERS ARE TIGHT AND ALL STRUCTURAL COMPONENTS ARE SOUND

CURT Manufacturing Inc. warrants this product to be free of defects in material and/or workmanship at the time of retail purchase by the original purchaser. If the product is found to be defective, Curt Manufacturing Inc. may repair or replace the product at their option, when the product is returned, prepaid, with proof of purchase. Alteration to, misuse of, or improper installation of this product voids the warranty. Curt Manufacturing Inc.'s liability is limited to repair or replacement of products found to be defective, and specifically excludes liability for incidental or consequential loss or damage.

For more information log onto www.curtmfg.com, & for helpful towing tips log onto www.hitchinfo.com

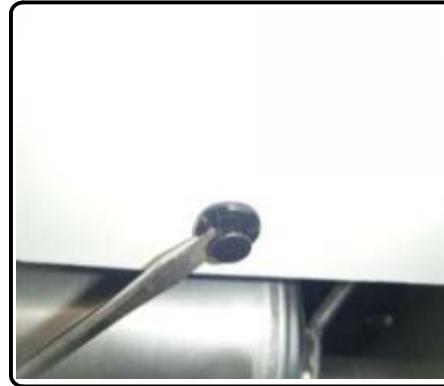
INSTALLATION WALKTHROUGH:

Parts List			
ITEM	QTY	PART NUMBER	DESCRIPTION
1	2	1_2 - 13 x 3 3_4 HEX	HEX BOLT
2	2	HFN 1213	HEX FLANGE NUT



1. To allow access to the vehicle bumper beam, it is required to either remove the bumper cover or trim the cover. Step "A" will show how to remove the bumper cover and Step "B" where to trim the bumper cover.

A. Start by removing (2) clips and (2) screws from the bottom of the bumper cover.



A. Remove (3) clips and (1) screw from the driver and passenger side tire wells.



INSTALLATION WALKTHROUGH:

A. Clear the trunk area and remove the carpeted mat on the bottom of the trunk.



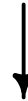
A. Remove the plastic panel at the rear of the trunk by removing (4) clips and (2) screws. Also detach the electrical connection for the interior light.



A. Remove the (2) plastic bottom side panels by removing (1) clip per panel.



REMOVE THESE PANELS



A. Removed the carpeted side panels by removing (5) clips and (1) stud cover per panel.



INSTALLATION WALKTHROUGH:

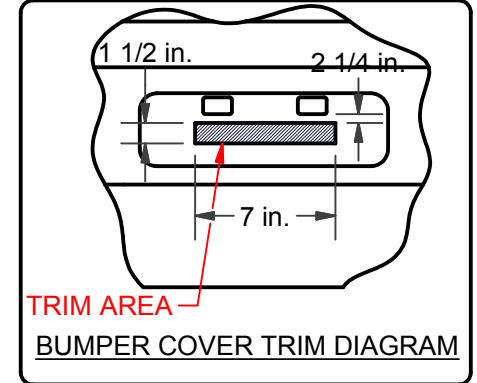
A. To remove the taillights, unhook the white electrical connector to the lights. Remove (3) nuts per light.



A. Remove the tail lights. Remove the (4) clips holding the bumper. Place the bumper cover where it will not be damaged. Retain all hardware for reinstallation.



B. To trim the bumper cover, first temporarily remove the license plate. Locate the (2) rectangular holes cut through the cover. Lay out a rectangular area that is 1 1/2" by 6". Center the rectangle on the vehicle and position it 2 1/4" below the rectangular holes. Trim out the area using a rotary tool with a cutoff wheel. Remove (2) clips on the bottom of the bumper cover.



2. Raise the hitch into position under the bumper beam. Center the hitch on the vehicle. A large c-clamp may be used to hold the hitch in position for drilling.



INSTALLATION WALKTHROUGH:

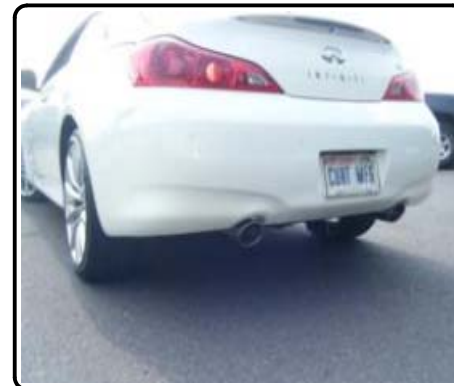
3. Using the hitch as a template, mark and drill the vehicle bumper beam for 1/2" hardware.



4. Install 1/2" hex bolts and hex flange nuts as shown. Torque all 1/2" hardware to 110 lb-ft.



5. If the bumper cover was removed, reinstall the cover and tail lights in the reverse order that they were removed. If the cover was trimmed, reinstall the license plate and the clips removed from the bottom of the bumper cover.



11068 INFINITI G37 & Q60 POWER RETRACTABLE HARD TOP

10/15/13

GROSS LOAD CAPACITY WHEN USED AS A WEIGHT CARRYING HITCH: 1,500 LBS. TRAILER WEIGHT & 150 LBS. TONGUE WEIGHT.

DO NOT EXCEED VEHICLE MANUFACTURER'S RECOMMENDED TOWING CAPACITY.

WARNING: ALL NON-TRAILER LOADS APPLIED TO THIS PRODUCT MUST BE SUPPORTED BY AUXILIARY STABILIZING STRAPS.

** FAILURE TO PROPERLY SUPPORT NON-TRAILER LOADS WILL VOID PRODUCT WARRANTY**

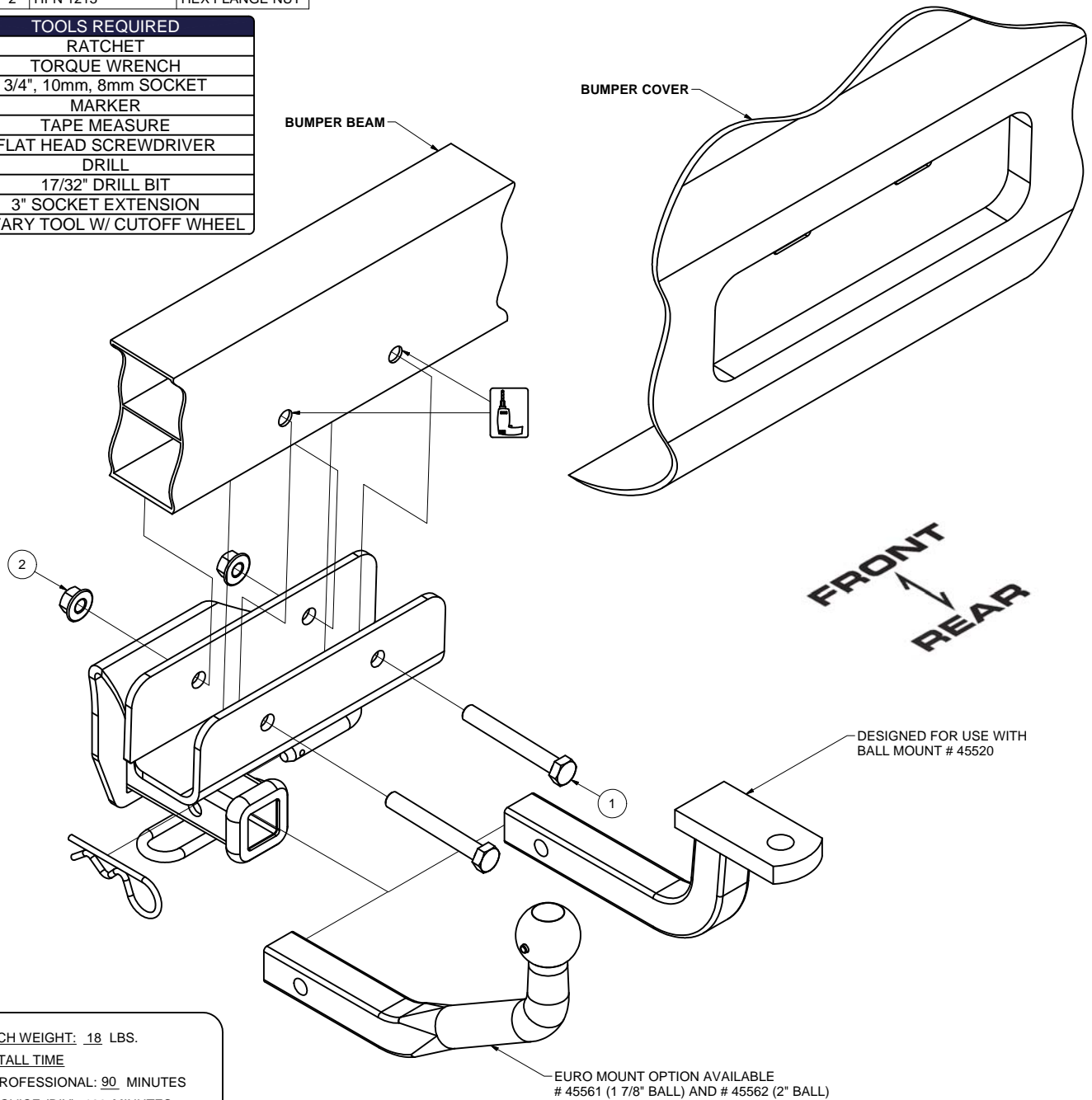
HAVING INSTALLATION QUESTIONS? CALL TECHNICAL SUPPORT AT 1-800-798-0813

Parts List

ITEM	QTY	PART NUMBER	DESCRIPTION
1	2	1_2 - 13 x 3 3_4 HEX	HEX BOLT
2	2	HFN 1213	HEX FLANGE NUT

TOOLS REQUIRED

RATCHET
TORQUE WRENCH
3/4", 10mm, 8mm SOCKET
MARKER
TAPE MEASURE
FLAT HEAD SCREWDRIVER
DRILL
17/32" DRILL BIT
3" SOCKET EXTENSION
ROTARY TOOL W/ CUTOFF WHEEL



HITCH WEIGHT: 18 LBS.

INSTALL TIME

PROFESSIONAL: 90 MINUTES

NOVICE (DIY): 180 MINUTES

INSTALL NOTES:

- DRILLING REQUIRED
- REMOVE BUMPER COVER (OPTIONAL)
- TRIM FASCIA (OPTIONAL)

PERIODICALLY CHECK THIS RECEIVER HITCH TO ENSURE THAT ALL FASTENERS ARE TIGHT AND THAT ALL STRUCTURAL COMPONENTS ARE SOUND.

Curt Manufacturing Inc., warrants this product to be free of defects in material and/or workmanship at the time of retail purchase by the original purchaser. If the product is found to be defective, Curt Manufacturing Inc., may repair or replace the product, at their option, when the product is returned, prepaid, with proof of purchase. Alteration to, misuse of, or improper installation of this product voids the warranty. Curt Manufacturing Inc.'s liability is limited to repair or replacement of products found to be defective, and specifically excludes liability for incidental or consequential loss or damage.

11068 INFINITI G37 & Q60 POWER RETRACTABLE HARD TOP

10/15/13

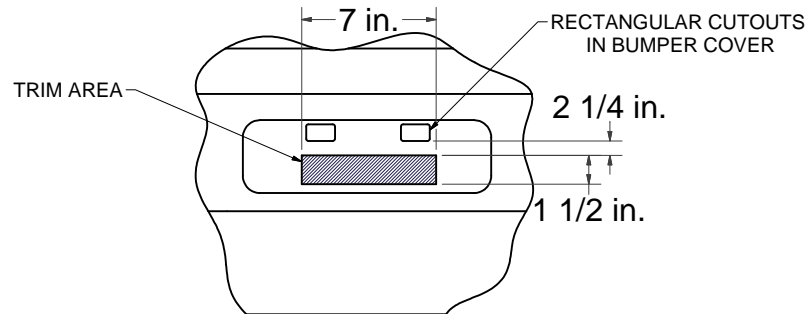
GROSS LOAD CAPACITY WHEN USED AS A WEIGHT CARRYING HITCH: 1,500 LBS. TRAILER WEIGHT & 150 LBS. TONGUE WEIGHT.

DO NOT EXCEED VEHICLE MANUFACTURER'S RECOMMENDED TOWING CAPACITY.

WARNING: ALL NON-TRAILER LOADS APPLIED TO THIS PRODUCT MUST BE SUPPORTED BY AUXILIARY STABILIZING STRAPS.

** FAILURE TO PROPERLY SUPPORT NON-TRAILER LOADS WILL VOID PRODUCT WARRANTY**

HAVING INSTALLATION QUESTIONS? CALL TECHNICAL SUPPORT AT 1-800-798-0813



BUMPER COVER TRIM DIAGRAM

INSTALLATION STEPS

1. To allow access to the vehicle bumper beam, it is required to either remove the rear bumper cover or trim the cover. Step "A" will show how to remove the bumper cover and Step "B" will explain where to trim the bumper cover.

"A". Start by removing (2) fascia clips on the bottom of the bumper. Remove (1) screw on the bottom of the bumper cover from each side of the vehicle. Remove (3) clips inside of each rear tire well. Remove (1) screw in each tire well.

To remove the remaining clips holding the bumper cover it is necessary to remove the taillights from the vehicle. The remaining clips are located under the taillights. First remove any contents from the vehicle trunk. Lift and remove the carpeted center of the trunk. Remove the plastic panel at the rear of the trunk by removing (4) clips and (2) screws. Also detach the connection to the interior light that is attached to the panel. Next, remove the (2) plastic bottom side panels by removing (1) clip per panel. Next remove the carpeted side panels by removing (5) clips and (1) stud cover per panel. To remove the taillight, unhook the white electrical connector to the light. Remove (3) nuts holding the taillight. Push the light out to the rear of the vehicle. This will expose the (2) remaining clips on each side of the vehicle that hold the rear bumper cover in place. Remove the clips and carefully remove the bumper cover. Unhook the electrical connections to the backup sensors. Place the cover where it will not be damaged. Be sure to save all the hardware for reinstallation.

"B". To trim the fascia, first remove the rear license plate. There will be (2) rectangular holes through the bumper cover. The bumper beam can be felt below these holes. Lay out a rectangular area that is 1 1/2" by 6". Center this area on the vehicle and position it 2 1/4" below the rectangular holes in the bumper cover. Use a rotary tool with a cutoff wheel to trim out this area. Remove the (2) clips holding the bottom of the bumper cover. Save clips for reinstallation. (See BUMPER COVER TRIM DIAGRAM.)

2. Raise the hitch into position over the bumper beam and center the hitch on the vehicle. A large c-clamp may be used to hold the hitch in position for drilling.
3. Use the hitch as a template, drill the bumper beam for 1/2" hardware.
4. Install the 1/2" hex bolts and hex flange nuts as shown.
5. Torque all 1/2" hardware to 110 lb-ft.
6. Reinstall the bumper cover and tail lights (if removed) in the reverse order that it was removed. Reinstall the license plate if the bumper cover was trimmed.

PERIODICALLY CHECK THIS RECEIVER HITCH TO ENSURE THAT ALL FASTENERS ARE TIGHT AND THAT ALL STRUCTURAL COMPONENTS ARE SOUND.

Curt Manufacturing Inc., warrants this product to be free of defects in material and/or workmanship at the time of retail purchase by the original purchaser. If the product is found to be defective, Curt Manufacturing Inc., may repair or replace the product, at their option, when the product is returned, prepaid, with proof of purchase. Alteration to, misuse of, or improper installation of this product voids the warranty. Curt Manufacturing Inc.'s liability is limited to repair or replacement of products found to be defective, and specifically excludes liability for incidental or consequential loss or damage.