



Safety glasses should be worn at all times while installing this product.

YEARS: 2011

MAKE: HONDA

MODEL: CR-Z

STYLE: HATCHBACK

**WARNING: NEVER EXCEED YOUR VEHICLE MANUFACTURER'S RECOMMENDED TOWING CAPACITY**  
 For more information log onto [www.curtmfg.com](http://www.curtmfg.com) & for helpful towing tips log onto [www.hitchinfo.com](http://www.hitchinfo.com)






**WEIGHT CARRYING:**  
 TRAILER WEIGHT: 1,000 LBS.  
 TONGUE WEIGHT: 100 LBS.

**WARNING:**  
 ALL NON-TRAILER (WHEEL-LESS) LOADS APPLIED TO THIS PRODUCT MUST BE SUPPORTED BY 18050 STABILIZING STRAPS. PLEASE SEE THE CURT CATALOG OR VISIT US ONLINE AT [WWW.CURTMFG.COM](http://WWW.CURTMFG.COM) FOR FURTHER INFORMATION.

**PRO INSTALL TIME: 60 MIN.**  
**NOVICE INSTALL TIME: 120 MIN.**

IF YOU ARE HESITANT TO UNDERTAKE THIS TASK ON YOUR OWN, CONTACT AN AUTHORIZED CURT INSTALLER FOR ADDITIONAL ASSISTANCE.

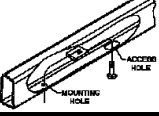


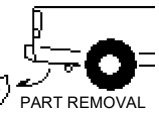

**INSTALLATION REQUIRES:**

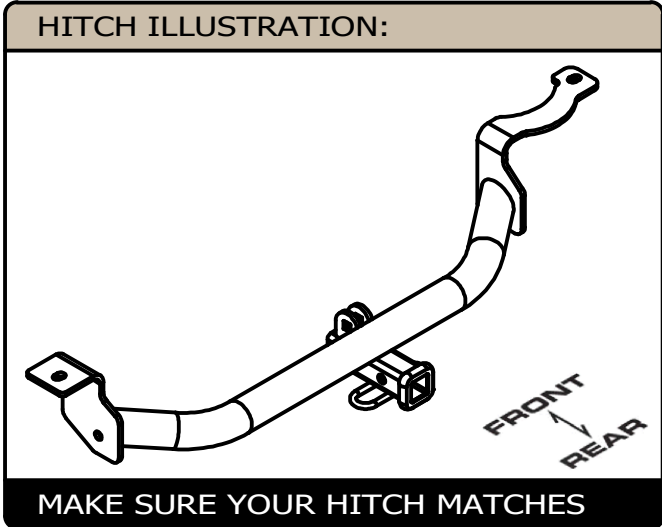
 <b>RATCHET</b>	 <b>3/4" 11/16" SOCKET</b>	 <b>6" SOCKET EXTENSION</b>
 <b>ROTARY TOOL</b>	 <b>SCREW DRIVER</b>	 <b>TORQUE WRENCH</b>
 <b>DIE GRINDER</b>		

**INSTALLATION TIPS:**

- BEFORE YOU BEGIN INSTALLATION, READ ALL INSTRUCTIONS THOROUGHLY.
- TO EASE INSTALLATION, 2 PEOPLE MAY BE REQUIRED.
- USING PROPER TOOLS WILL GREATLY IMPROVE THE QUALITY OF THE INSTALL AND REDUCE THE TIME REQUIRED.
- NEED HELP OR HAVE SOME QUESTIONS? CALL TECHNICAL SUPPORT AT 877.287.8634

**LEVEL OF DIFFICULTY: CHALLENGING**

EASY	MODERATE	CHALLENGING
	FISHWIRE HARDWARE	
	LOWER EXHAUST	
	ENLARGE HOLES	
	REMOVE AND REINSTALL UNDERBODY PANELS	
	TRIM UNDERBODY PANELS	



**PERIODICALLY CHECK THIS RECEIVER HITCH TO ENSURE ALL FASTENERS ARE TIGHT AND ALL STRUCTURAL COMPONENTS ARE SOUND**

CURT Manufacturing LLC. warrants this product to be free of defects in material and/or workmanship at the time of retail purchase by the original purchaser. If the product is found to be defective, CURT Manufacturing LLC. may repair or replace the product at their option, when the product is returned, prepaid, with proof of purchase. Alteration to, misuse of, or improper installation of this product voids the warranty. CURT Manufacturing LLC.'s liability is limited to repair or replacement of products found to be defective, and specifically excludes liability for incidental or consequential loss or damage.

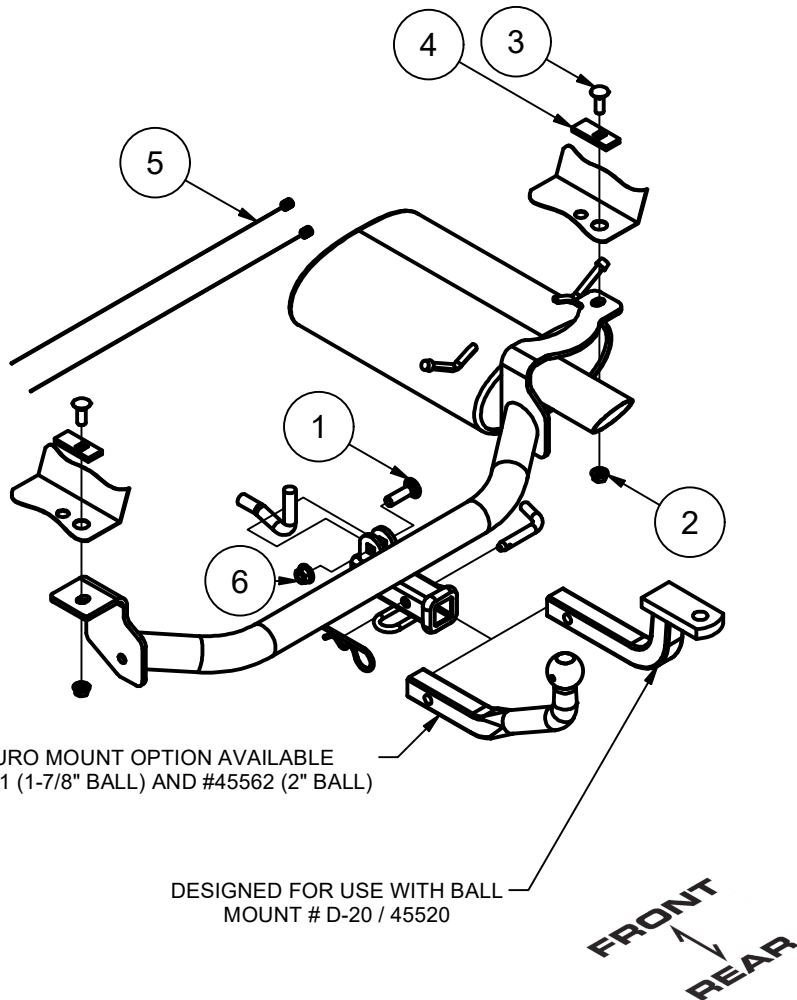
For more information log onto [www.curtmfg.com](http://www.curtmfg.com)

This product complies with safety specifications and requirements for connecting devices and towing systems of the state of New York, V.E.S.C.Regulation V-5 and SAE J684.

SCAN FOR MORE INFO

## INSTALLATION WALKTHROUGH:

Parts List			
ITEM	QTY	PART NUMBER	DESCRIPTION
1	1	10-10272	BOLT,CAR,1/2-13 UNC,1-3/4,GRD8,YZ
2	2	20-00103	NUT,SER-FLANGE,7/16-14 UNC,GRD8,YZ
3	2	10-10281	BOLT,CAR,7/16-14 UNC,1-1/4,GRD8,YZ
4	2	CM-SP11	.250 x 1.00 x 2.50" SQUARE HOLE SPACER
5	2	7_16 FISHWIRE	7/16" FISHWIRE
6	1	20-00062	NUT, SER-FLANGE,1/2-13 UNC,GRD8,YZ



1. Lower the exhaust by removing the (2) rubber isolators on the muffler.



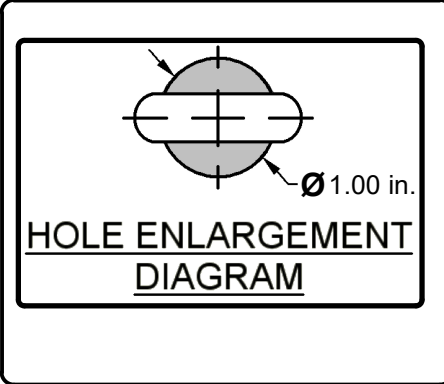
2. Remove the underbody panels from the driver and passenger side rear corners of the vehicle. The panels are held by (3) plastic clips and (2) screws per panels. (1) clip holds the panel to the fascia. The next clip is attached to the frame rail. The last clip is located in the tire well. The first screw is located under the corner of the vehicle. The other screw is on the outside of the tire well. (2) clips will not be reused during the panel reinstallation.





## INSTALLATION WALKTHROUGH:

3. Locate the large holes on the driver and passenger side frame rails. Enlarge the front holes to allow the supplied 7/16" carriage bolts and CM-SP11 spacer to pass into the frame rails.



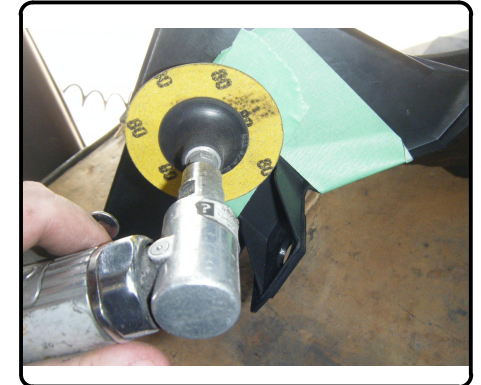
4. Fishwire the 7/16" carriage bolts and CM-SP11 spacers through the enlarged holes and out the rear holes.



5. Raise the hitch into position. Raise the hitch next to the vehicle tow loop and install the 1/2" carriage bolt through the mounting plate and through the tow loop. Secure the hitch with the 1/2" hex flange nut. Install 7/16" hex flange nuts onto the 7/16" hardware fishwired into position in Step 4.

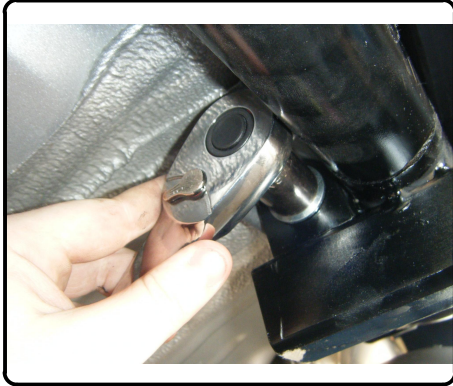


6. Mark and trim the underbody panels to remove the area where the plastic clip attached the panel to the vehicle frame rail. Trim the panel as necessary to provide clearance around the vehicle side plate.



## INSTALLATION WALKTHROUGH:

7. Torque 7/16" hardware to 70 lb-ft and 1/2" hardware to 110 lb-ft.



8. Reinstall underbody panels in reverse of order that they were removed.  
Raise exhaust back into position.



For more information log onto [www.curtmfg.com](http://www.curtmfg.com), & for helpful towing tips log onto [www.hitchinfo.com](http://www.hitchinfo.com)



11077

# HONDA CR-Z

10/22/2020

PAGE 1 of 2

GROSS LOAD CAPACITY WHEN USED AS A WEIGHT CARRYING HITCH: 1,000 LBS. TRAILER WEIGHT & 100 LBS. TONGUE WEIGHT.

**\*\*\*DO NOT EXCEED VEHICLE MANUFACTURER'S RECOMMENDED TOWING CAPACITY.\*\*\***

WARNING: ALL NON-TRAILER LOADS APPLIED TO THIS PRODUCT MUST BE SUPPORTED BY 18050 STABILIZING STRAPS.

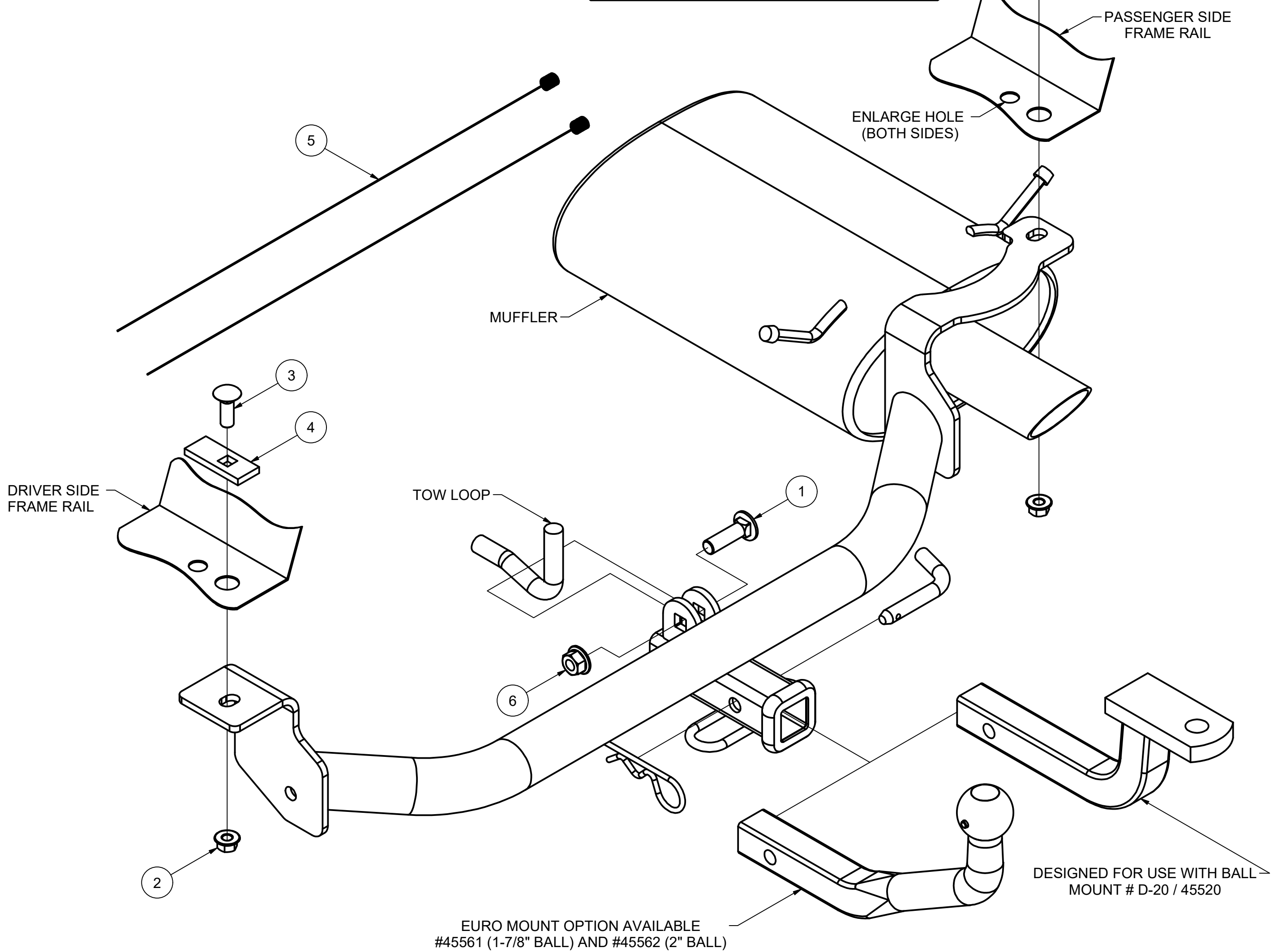
**\*\* FAILURE TO PROPERLY SUPPORT NON-TRAILER LOADS WILL VOID PRODUCT WARRANTY\*\***

HAVING INSTALLATION QUESTIONS? CALL TECHNICAL SUPPORT AT 877-287-8634

Parts List			
ITEM	QTY	PART NUMBER	DESCRIPTION
1	1	10-10272	BOLT,CAR,1/2-13 UNC,1-3/4,GRD8,YZ
2	2	20-00103	NUT,SER-FLANGE,7/16-14 UNC,GRD8,YZ
3	2	10-10281	BOLT,CAR,7/16-14 UNC,1-1/4,GRD8,YZ
4	2	CM-SP11	.250 x 1.00 x 2.50" SQUARE HOLE SPACER
5	2	7_16 FISHWIRE	7/16" FISHWIRE
6	1	20-00062	NUT, SER-FLANGE,1/2-13 UNC,GRD8,YZ

**FISHWIRE TECHNIQUE**  
 INSERT COILED END OF FISHWIRE TOOL THROUGH HITCH MOUNTING HOLE IN VEHICLE FRAME RAIL AND OUT THE ACCESS HOLE. PASS COILED END OF FISHWIRE THROUGH SPACER AND THREAD BOLT INTO COIL. KINK WIRE TO KEEP SPACER SEPARATE FROM BOLT AS SHOWN. PULL FISHWIRE, SPACER, AND BOLT THROUGH FRAME AND OUT MOUNTING HOLE. USE FISHWIRE TO GUIDE HITCH DURING MOUNTING AND PREVENT LOSS OF BOLT / SPACER INSIDE FRAME RAIL.

\*\*NOTE: SOME VEHICLES MAY FISHWIRE THROUGH END OF FRAME\*\*



**HITCH WEIGHT:** 23 LBS.  
**INSTALL TIME**  
 PROFESSIONAL: 60 MINUTES  
 NOVICE (DIY): 120 MINUTES  
**INSTALL NOTES:**  
 - LOWER EXHAUST  
 - FISHWIRE HARDWARE  
 - ENLARGE HOLES  
 - TRIM UNDERBODY PANEL

**FRONT**  
 ↑  
**REAR**

**PERIODICALLY CHECK THIS RECEIVER HITCH TO ENSURE THAT ALL FASTENERS ARE TIGHT AND THAT ALL STRUCTURAL COMPONENTS ARE SOUND.**

Curt Manufacturing Inc., warrants this product to be free of defects in material and/or workmanship at the time of retail purchase by the original purchaser. If the product is found to be defective, Curt Manufacturing Inc., may repair or replace the product, at their option, when the product is returned, prepaid, with proof of purchase. Alteration to, misuse of, or improper installation of this product voids the warranty. Curt Manufacturing Inc.'s liability is limited to repair or replacement of products found to be defective, and specifically excludes liability for incidental or consequential loss or damage.

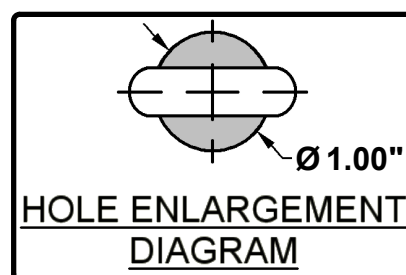
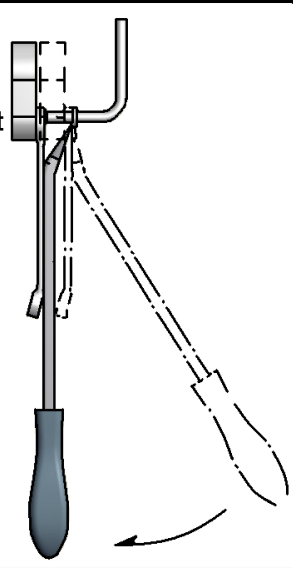
HAVING INSTALLATION QUESTIONS? CALL TECHNICAL SUPPORT AT 877-287-8634

### RUBBER ISOLATOR REMOVAL DIAGRAM

This technique can be used if and Exhaust Hanger Removal Pliers is not available.

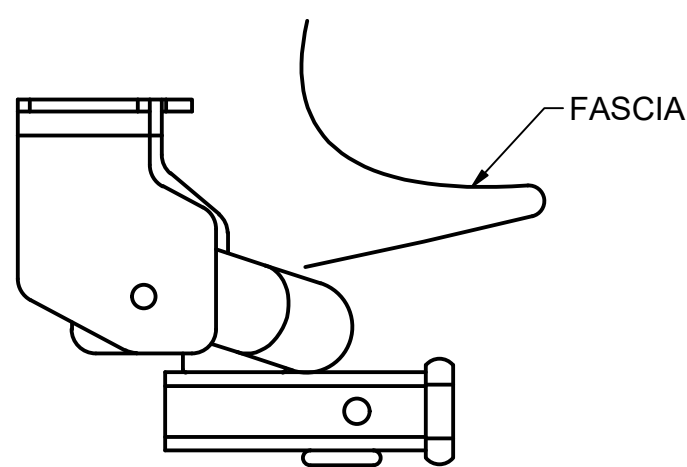
Using a 5/8" open end wrench, slide the wrench up to the rubber isolator, cradling the hanger rod as shown. Next place the flat edge of a pry bar between the wrench and the hanger stop or hanger rod. Then simply rotate the pry bar toward the wrench to remove the rubber isolator.

Note: Using a spray lubricant or soapy water on the hanger rod and the rubber isolator helps removal.



### TOOLS REQUIRED

RATCHET
TORQUE WRENCH
6" EXTENSION
3/4" SOCKET
11/16" SOCKET
DIE GRINDER
ROTARY TOOL
CUTOFF WHEEL
FLAT HEAD SCREWDRIVER
PHILLIPS HEAD SCREWDRIVER



INSTALLED HITCH POSITION



UNDERBODY PANEL TRIM DIAGRAM

## INSTALLATION STEPS

1. Lower exhaust by removing (2) rubber isolators located on the vehicle muffler.
2. Remove under body panels under corner of the driver and passenger side of the vehicle. The panels are held by (3) plastic clips and (2) screws. (1) clip holds the panel to the rear fascia. The next clips holds the panel to the frame rail. The last clip is located in the wheel well. The first screw is located under the rear corner of the vehicle and the other screw is in the outside of the wheel well. Remove the panels and save the hardware for reinstallation. (2) clips will not be used for the panel reinstallation.
3. Locate the (2) large holes in the rear of each frame rail. Enlarge the front holes to allow the 7/16" carriage bolts and CM-SP11 spacers to pass into the frame rails.
4. Fishwire the supplied 7/16" carriage bolts and CM-SP11 spacers through the enlarged holes and out the rear holes as shown.
5. Raise the hitch into position against the vehicle tow loop. Install the supplied 1/2" carriage bolt through the mount attached to the hitch and through the tow loop. Secure the hitch with the 1/2" hex flange nut as shown.
6. Install 7/16" hex flange nuts onto the carriage bolts fishwired into position from Step 4.
7. Mark the underbody panels to trim off the section of the panel where the plastic clip attached the panel to the vehicle frame rail. Trim the panel as necessary to provide clearance around the hitch side plates.
8. Torque 7/16" hardware to 70 lb-ft and 1/2" hardware to 110 lb-ft.
9. Reinstall the underbody panels in the reverse order that they were removed.
10. Raise the exhaust back into position.

**PERIODICALLY CHECK THIS RECEIVER HITCH TO ENSURE THAT ALL FASTENERS ARE TIGHT AND THAT ALL STRUCTURAL COMPONENTS ARE SOUND.**