

11147

## 94-01 ACURA INEGRA HATCHBACK

10/06/2020

GROSS LOAD CAPACITY WHEN USED AS A WEIGHT CARRYING HITCH: 2,000 LBS. TRAILER WEIGHT &amp; 200 LBS. TONGUE WEIGHT.

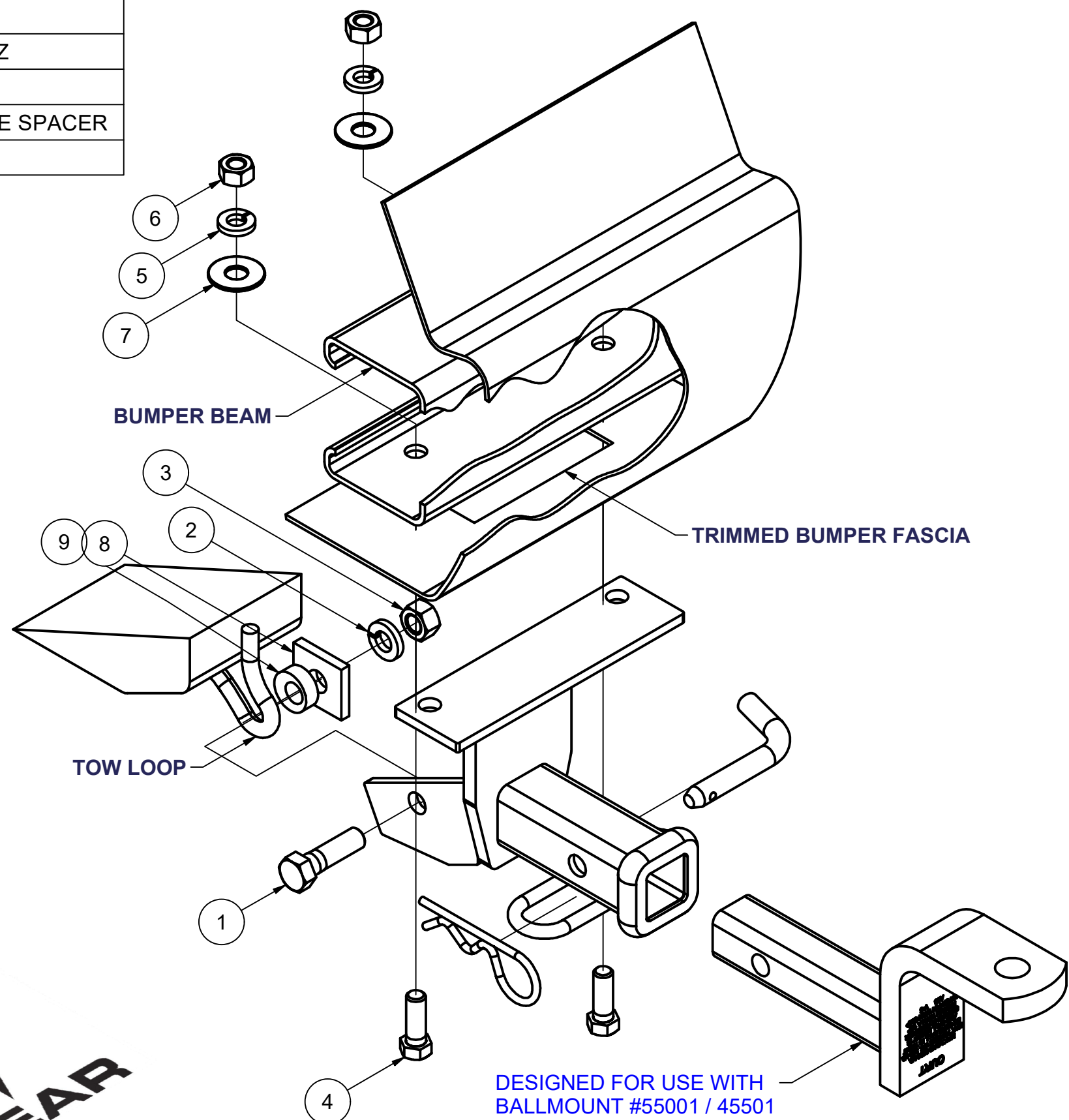
**\*\*\*DO NOT EXCEED VEHICLE MANUFACTURER'S RECOMMENDED TOWING CAPACITY.\*\*\***

WARNING: ALL NON-TRAILER LOADS APPLIED TO THIS PRODUCT MUST BE SUPPORTED BY AUXILIARY STABILIZING STRAPS.

**\*\* FAILURE TO PROPERLY SUPPORT NON-TRAILER LOADS WILL VOID PRODUCT WARRANTY\*\***

HAVING INSTALLATION QUESTIONS? CALL TECHNICAL SUPPORT AT 877-287-8634

Parts List			
ITEM	QTY	PART NUMBER	DESCRIPTION
1	1	10-10370	HHCS,1/2-13 UNC,1-3/4,GRD8,YZ
2	1	30-00153	WASHER,LOCK,1/2,YZ
3	1	20-00171	NUT,HEX,1/2-13 UNC,GRD8,YZ
4	2	10-10425	HHCS,7/16-14 UNC,1-1/4,GRD8,YZ
5	2	30-00184	WASHER,LOCK,7/16,YZ
6	2	20-00147	NUT,HEX,7/16-14 UNC,GRD8,YZ
7	2	30-00166	WASHER,FLAT,7/16,YZ
8	1	CM-SP25	.250 x 1.38 x 1.50" ROUND HOLE SPACER
9	1	CM-11147-FB	.375 FILLER BUSHING



HITCH WEIGHT: 12 LBS.

INSTALL TIME

PROFESSIONAL: 45 MINUTES

NOVICE (DIY): 90 MINUTES

INSTALL NOTES:

- DRILLING REQUIRED
- REMOVE FASCIA SCREWS

FRONT  
↑  
REAR

**INSTALLATION STEPS**

1. This hitch will bolt to the bottom of the steel reinforcement beam inside the rear bumper, and to the tow loop.
2. Before the hitch can be fitted, temporarily remove two screws fastening the bottom of the bumper fascia to the body. Remove a 2 1/2" by 3 1/2" section of bumper fascia for hitch clearance as shown.
3. Hold the hitch in position at the tow loop and the bottom of the bumper beam. Mount the hitch at the tow loop using fasteners as shown. Using the hitch as a template, drill the bumper beam for 7/16" diameter screws.
4. Fasten the hitch at the bumper using fasteners shown.
5. Torque all 1/2" fasteners to 110 lb-ft, and all 7/16" fasteners to 70 lb-ft.

**PERIODICALLY CHECK THIS RECEIVER HITCH TO ENSURE THAT ALL FASTENERS ARE TIGHT AND THAT ALL STRUCTURAL COMPONENTS ARE SOUND.**

Curt Manufacturing Inc., warrants this product to be free of defects in material and/or workmanship at the time of retail purchase by the original purchaser. If the product is found to be defective, Curt Manufacturing Inc., may repair or replace the product, at their option, when the product is returned, prepaid, with proof of purchase. Alteration to, misuse of, or improper installation of this product voids the warranty. Curt Manufacturing Inc.'s liability is limited to repair or replacement of products found to be defective, and specifically excludes liability for incidental or consequential loss or damage.

247260