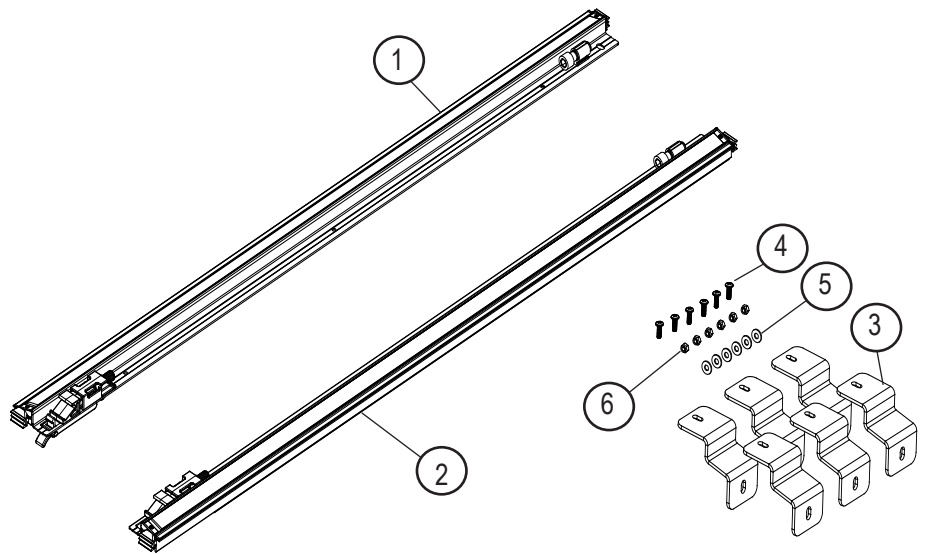


# HONDA RIDGELINE PRO X15 INSTRUCTIONS

Item	Part #	Description
1.		Side Rail, Driver's Side
2.		Side Rail, Passenger's Side
3.	1705964	Bracket, Side Rail
4.	1702741	Pan Hd. Screw, 1/4"-20 x 3/4"
5.	1700427	Flat Washer, 1/4"
6.	1701543	Hex Nut, 1/4"-20 Nylon Lock



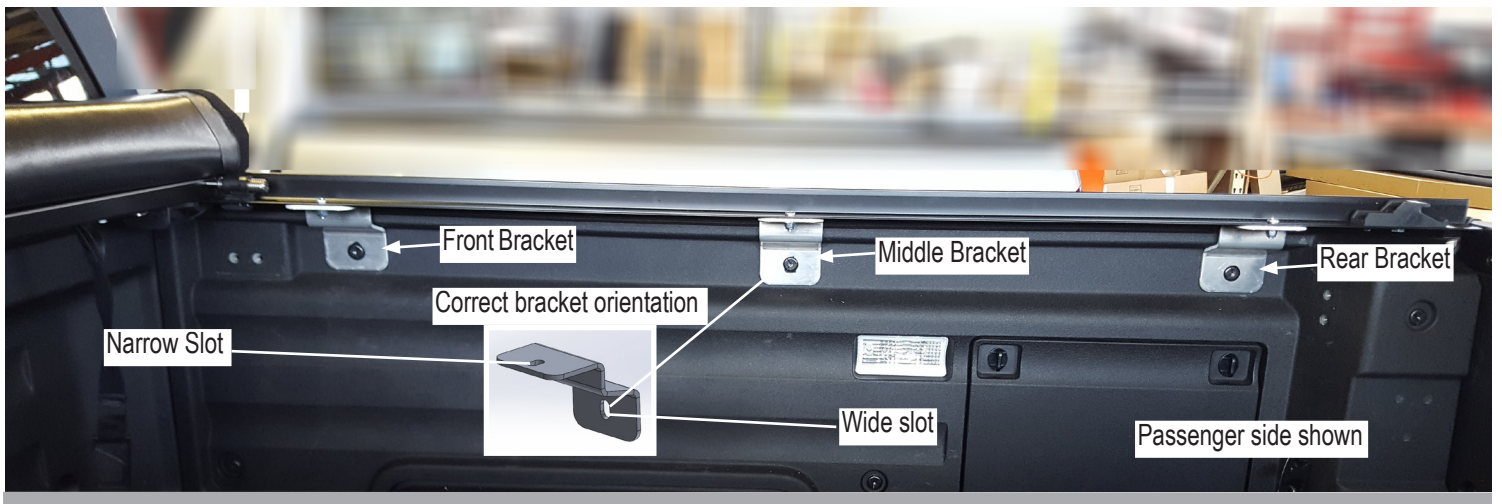
## TOOLS NEEDED:

- T-30 Torx wrench
- Flat Head Screw Driver
- 3/8 Drive Ratchet
- Phillips Screw Driver
- 7/16 Socket or 7/16" Box End Wrench
- Flat Head Screw Driver (Used to adjust Tension on Tension Brackets)

**STEP 1:** Using a T-30 torx wrench, remove the three factory installed M6 Shoulder bolts from both the driver and passenger side box as shown.

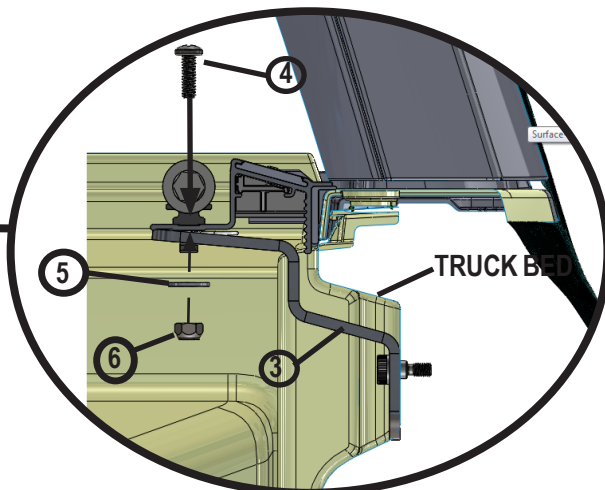


**STEP 2:** Mount brackets on driver and passenger side using the factory installed M6 Shoulder bolts. Leave finger tight for now.



## HONDA RIDGELINE PRO X15 INSTRUCTIONS

**STEP 3:** Attach driver and passenger Pro X15 rails to bracket using (#4) Pan Hd. screw 1/4" -20 x 3/4" and (#5) 1/4"-20 Hex Nylon lock nuts, leave screws loose at this time.



**STEP 4:** Tighten all six M6 shoulder bolts, make sure the brackets fit tight to the truck bed side. At this time the Pro X15 rails should be able to move in and out slightly.



**STEP 5:** To assure adequate water sealing of the Pro X15 rails to the trucks bed rail caps, push the Pro X15 rails against the truck box and with force still applied tighten the pan head screws.



**STEP 6:** Tighten all fasteners. Repeat steps 1-5 on driver's side.



**Refer to owners manual 1118188 for futher instruction on installing your PRO X15.**