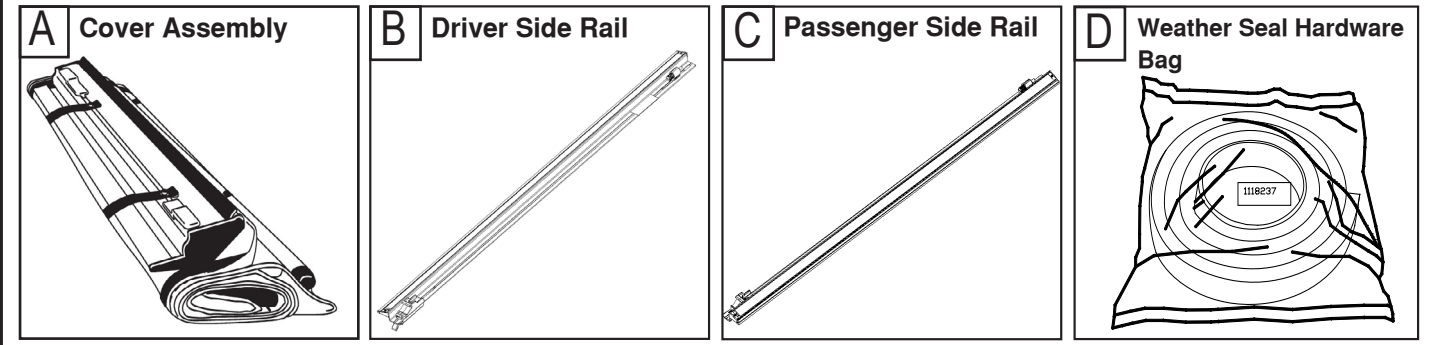


- Please read manual throughly before installing this kit. Failure to install cover properly will void warranty.
- Use picture keys below to verify componets found in shipping box and hardware bags.
- Damaged or missing parts? Call 1-877-878-9336 Mon - Fri 8 am-5 pm CT. Parts will be shipped to you factory direct. Do not return kit to place of purchase.

P/N 1118748 REV C

### Components In Shipping Box:




### Components Inside Hardware Bag "E", p/n 1118748:

**E** Main Parts Hardware Bag, Showing Components Inside This Hardware Bag.

1118539-hardware bag. Fasteners needed to mount the rear brackets for trucks WITH and WITHOUT the Trail Rail System.

1118540-hardware bag. Side Rail Attachment Hardware for Both Trail Rail and Non-Trail Rail Truck Boxes.

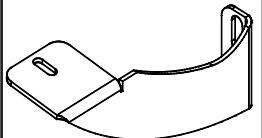
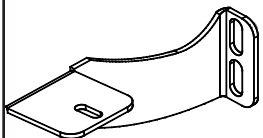
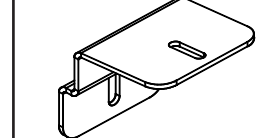

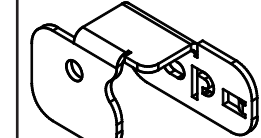


**Main Parts Bag**  
1118748

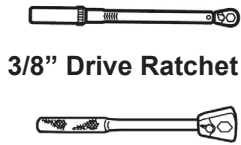
1118538-hardware bag. Fasteners needed to mount the front brackets for trucks built BEFORE July 2020.

1706541-hardware bag. Fasteners needed to mount the front brackets for trucks built AFTER July 2020.

Mounting brackets for both Trail Rail and Non-Trail Rail Cargo Management Systems are located in this hardware bag.

<p>1706274</p>  <p>Front Passenger Bracket</p>	<p>1706273</p>  <p>Front Driver Bracket</p>	<p>1706275 (Qty. 2)</p>  <p>Rear Driver/ Passenger Bracket</p>	<p>1706339</p>  <p>Non-Trail Rail Spacer Bracket, Driver Rear</p>	<p>1706340</p>  <p>Non-Trail Rail Spacer Bracket, Passenger Rear</p>
---	--	---	---	---

## TOOLS REQUIRED



3/8" Drive Ratchet

SAE 7/16" Socket



T-27

1/8" Hex

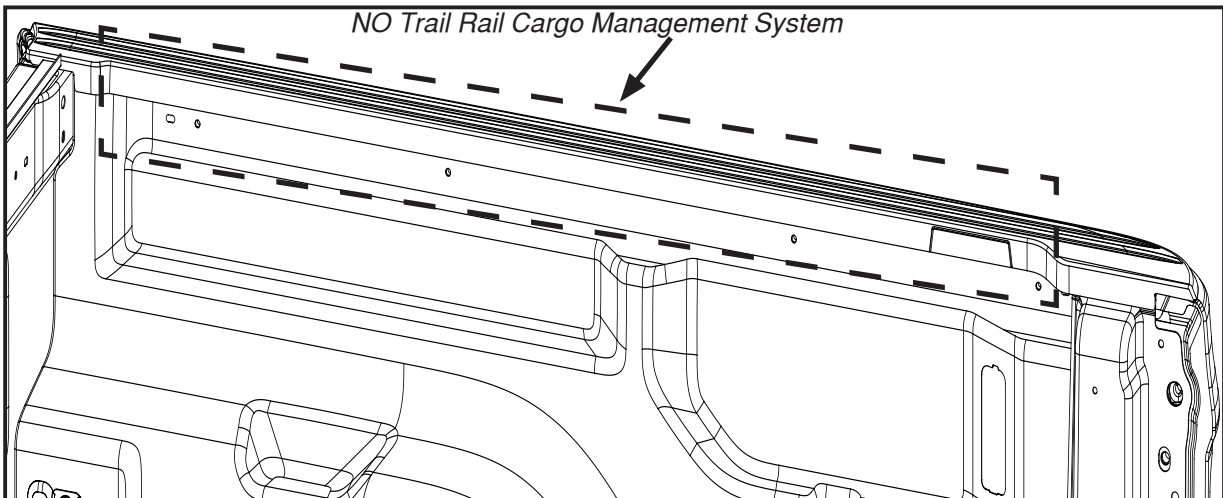
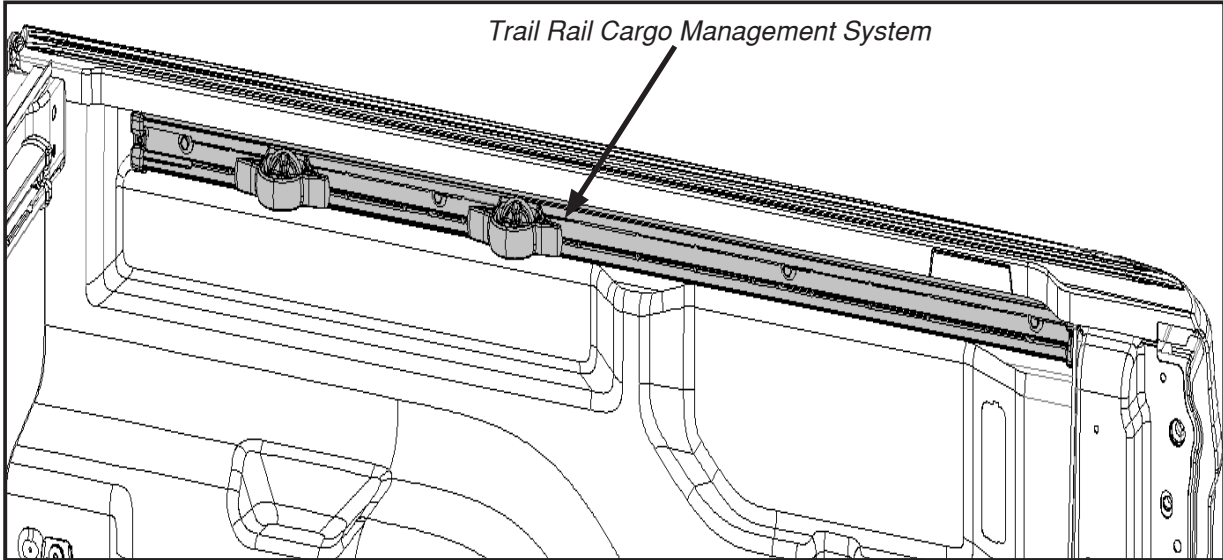
5mm Hex

4mm Hex



## IMPORTANT INFORMATION

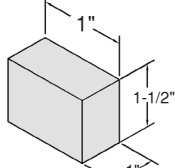
- This TruXedo truck cover will fit the Jeep Gladiator with and without the Trail Rail Cargo Management System.
- Different attachment brackets will be utilized to attach the TruXedo side rails.



## FRONT WEATHER SEAL INSTALLATION STEPS

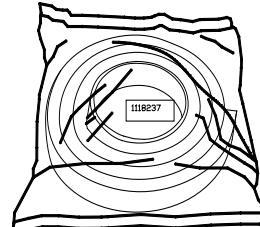
The next installation steps will use the foam blocks out of hardware bag 1118748

1705018 (Qty. 2)



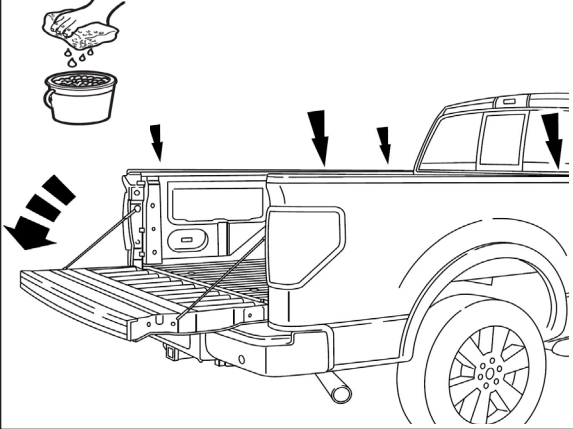
Foam Block Seal

Bulkhead weather seal, Item "D", will also be used in the next installation steps.

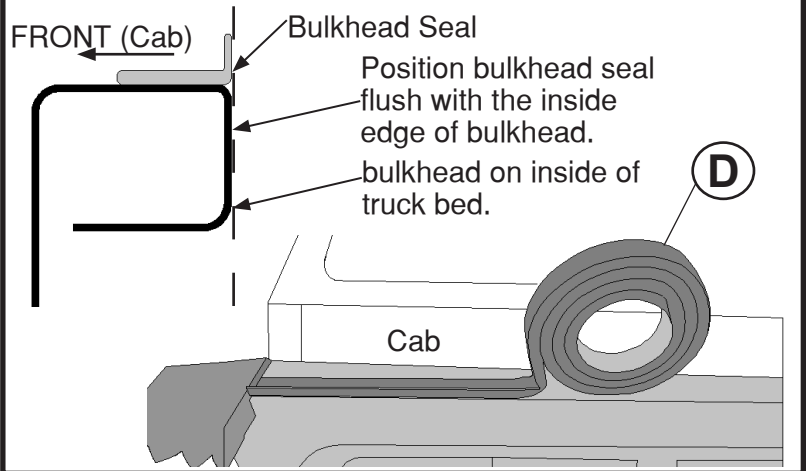


## WEATHER SEAL INSTALLATION FOR TRUCKS WITH AND WITHOUT TRAIL RAILS:

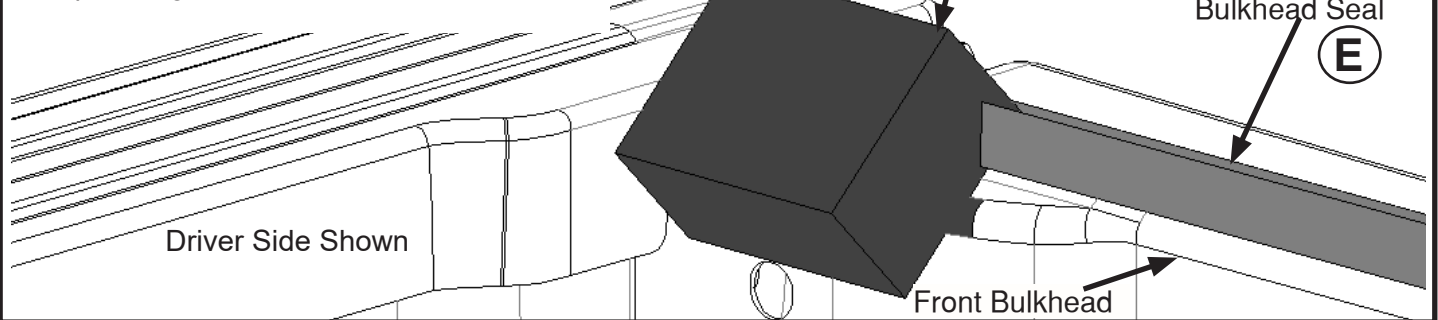
- 1** It is important that all areas where the bed cover mounts are clean and free of debris prior to installing.



- 2** Install the bulkhead seal supplied in the shipping box.



- 3** Apply foam block seal to the driver and passenger side front bulkhead corners.

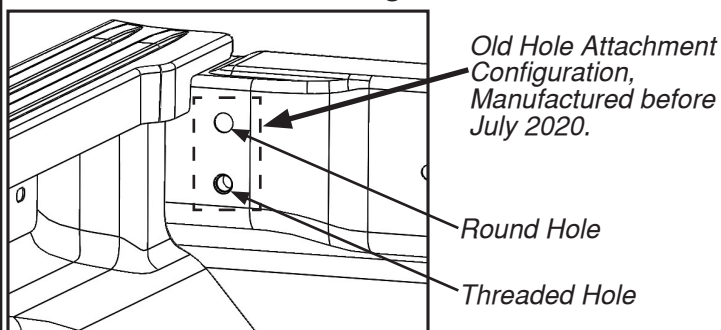


### Attention:

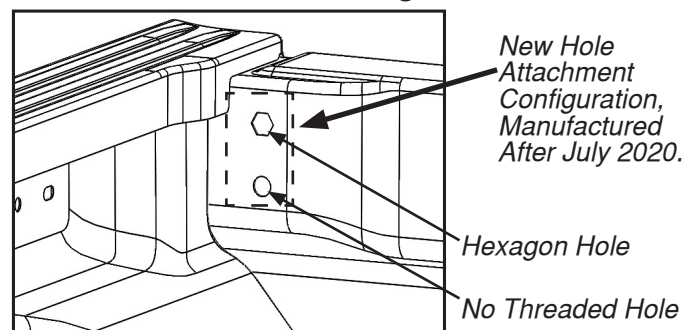
The next installation steps will show how to install the front mounting brackets and hardware for trucks with the old bulkhead and new bulkhead configuration. The front brackets will work for both the Trail Rail and Non-Trail Rail Cargo Management System for Jeep Gladiator's.

**NOTE: The front bracket installation will require identifying the bulkhead mounting hole configuration of your truck. This will determine which hardware packages to use.**

#### Old Hole Attachment Configuration

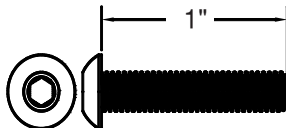
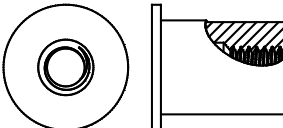
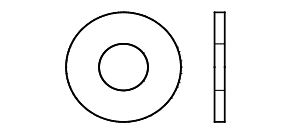
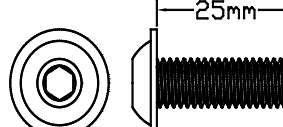


#### New Hole Attachment Configuration

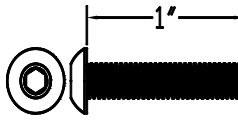
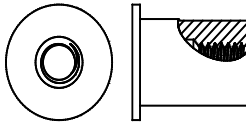
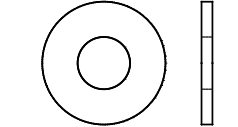
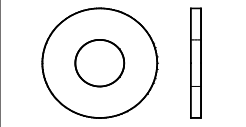
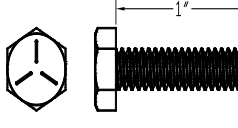
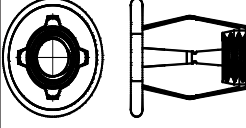
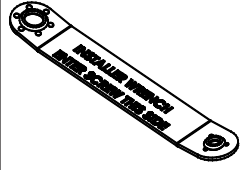


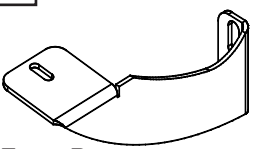
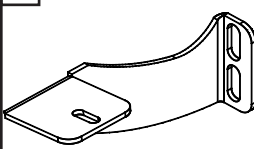
**FRONT BRACKETS AND HARDWARE NEEDED FOR TRAIL RAIL AND NON-TRAIL RAIL TRUCK BEDS**

**Trucks Built Before July 2020  
Use Hardware Bag 1118538**

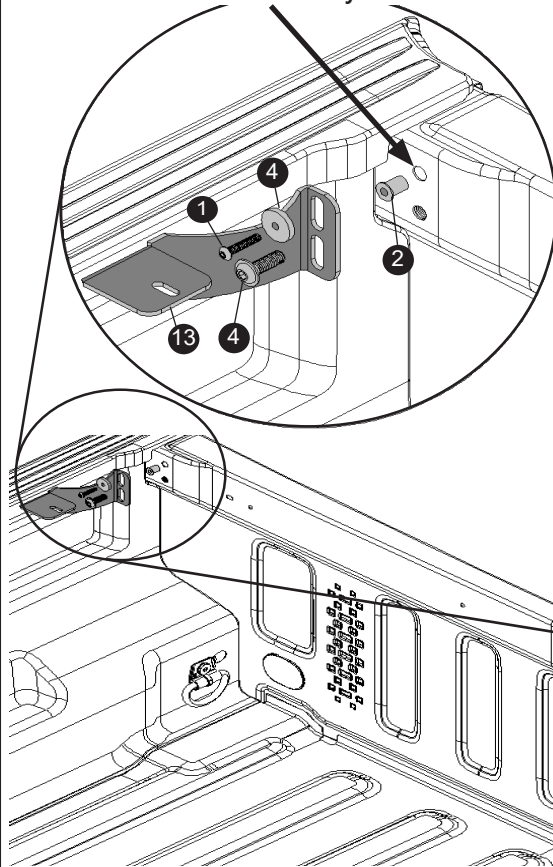
<p>1 1706278 (Qty. 2)</p>  <p>Screw Button Head 10-32 x 1"</p>	<p>2 1706279 (Qty. 2)</p>  <p>Neoprene Well Nut 10-32</p>
<p>3 1706347 (Qty. 2)</p>  <p>Flat Washer #10</p>	<p>4 1706277 (Qty. 2)</p>  <p>Screw Button Head m8 x 1.25 x 25mm</p>

**Trucks Built After July 2020  
Use Hardware Bag 1706541**

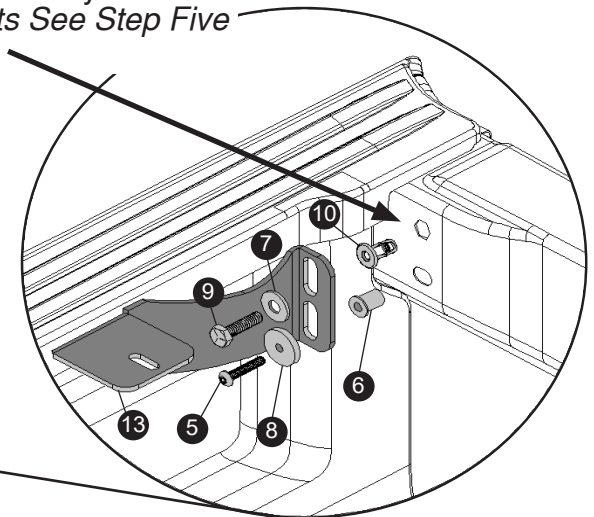
<p>5 1706278 (Qty. 2)</p>  <p>Screw Button Head 10-32 x 1"</p>	<p>6 1706279 (Qty. 2)</p>  <p>Neoprene Well Nut 10-32</p>
<p>7 1700427 (Qty. 4)</p>  <p>Flat Washer 1/4"</p>	<p>8 1706347 (Qty. 2)</p>  <p>Flat Washer #10</p>
<p>9 1700381 (Qty. 2)</p>  <p>Screw Hex Head 1/4-20 x 1"</p>	<p>10 1706542 (Qty. 2)</p>  <p>Jack Nut 1/4-20</p>
<p>11 1706543</p>  <p>Jack Nut Friction Wrench</p>	

<p>12 1706274</p>  <p>Front Passenger Bracket</p>	<p>13 1706273</p>  <p>Front Driver Bracket</p>
--	---

Bulkhead Hole Configuration of Trucks Built Before July 2020.



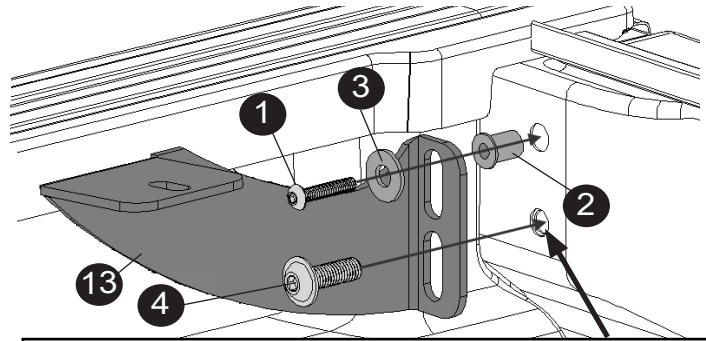
Bulkhead Hole Configuration of Trucks Built After July 2020. To Insert Jack Nuts See Step Five On Next Page.



**4** Bracket to front bulkhead assembly configuration for trucks built before July 2020. Use hardware bag 1118538.

Assemble front bracket to the bulkhead as shown (driver side shown). Leave all fasteners fingertight at this time.

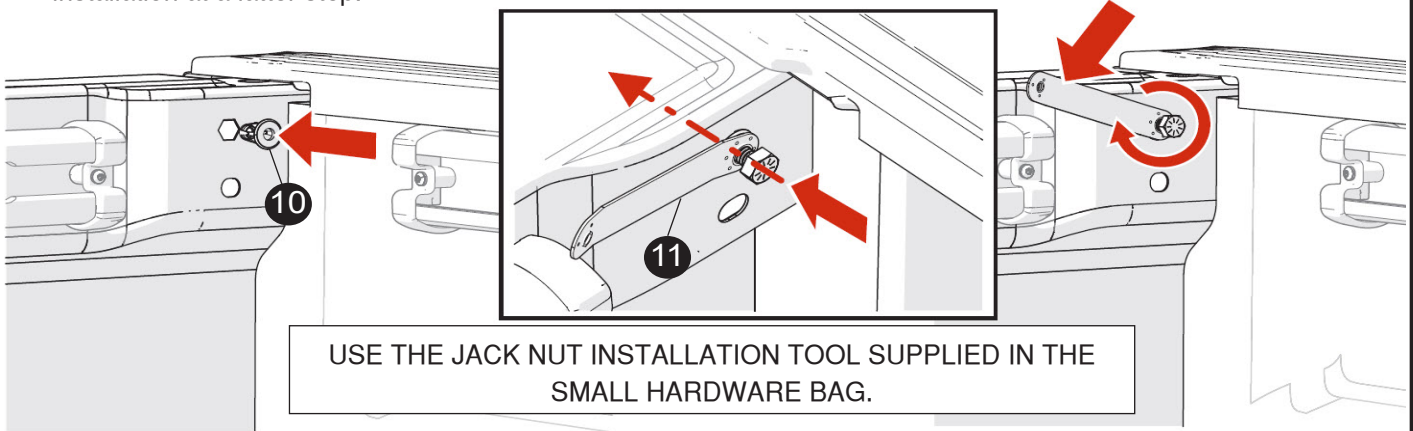
Assemble the passenger side bracket to the bulkhead using the same method and hardware provided in hardware bag 1118538.



**ATTENTION:** If needed, clean out the threaded holes in the pickup bed with a m8 tap before installing fasteners

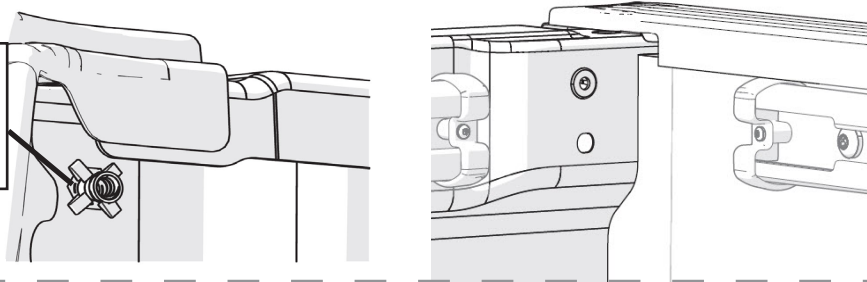
**Bracket To Front Bulkhead Assembly Configuration for Trucks Built After July 2020. Use Hardware From Bag 1706541.**

**5** Insert the jack nut into the upper hexagonal hole. Next, insert the 1/4"-20 screw through the jack nut installation tool and thread into the jack nut. Use the install wrench to hold the jack nut from turning while tightening the bolt with a wrench socket. This will pull and collapse the jack nut. Once the screw has stopped turning, remove it for installation at a latter step.



USE THE JACK NUT INSTALLATION TOOL SUPPLIED IN THE SMALL HARDWARE BAG.

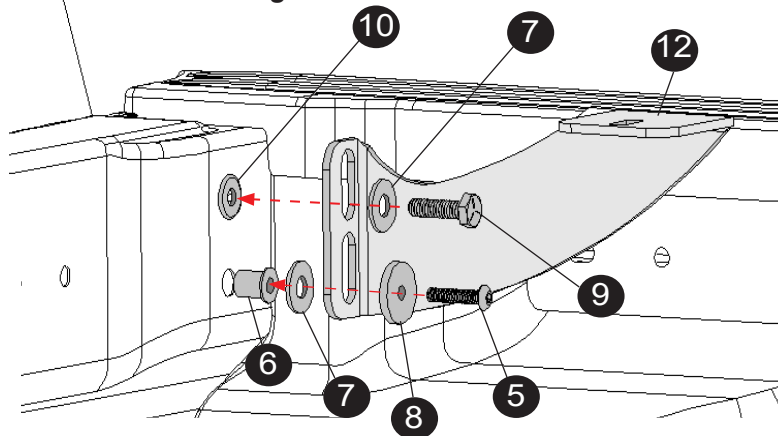
Seeing the jack nut from behind is difficult, but it will collapse as shown



Thread the buttonhead screw through the #10 oversize washer, through the bottom hole in the bracket, through the flat washer, and into the well nut.

Note:  
Assemble just until contact is made, do not tighten fasteners just yet.

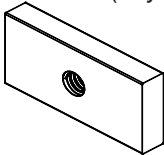
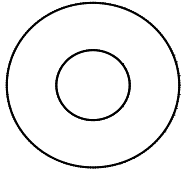
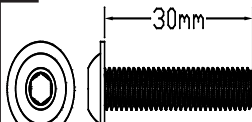
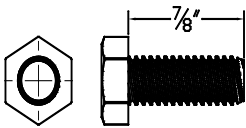
**Passenger Side Bracket Shown**



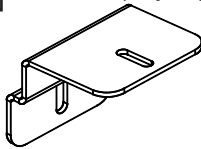
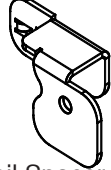
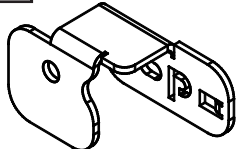
Thread the 1/4"-20 screw through the flat washer, into the top hole of the bracket, and then into the jack nut. **Follow the same steps to assemble the driver side bracket on the other side.**

## REAR BRACKET ASSEMBLIES

### Rear Bracket Hardware, Use Hardware Bag 1118539

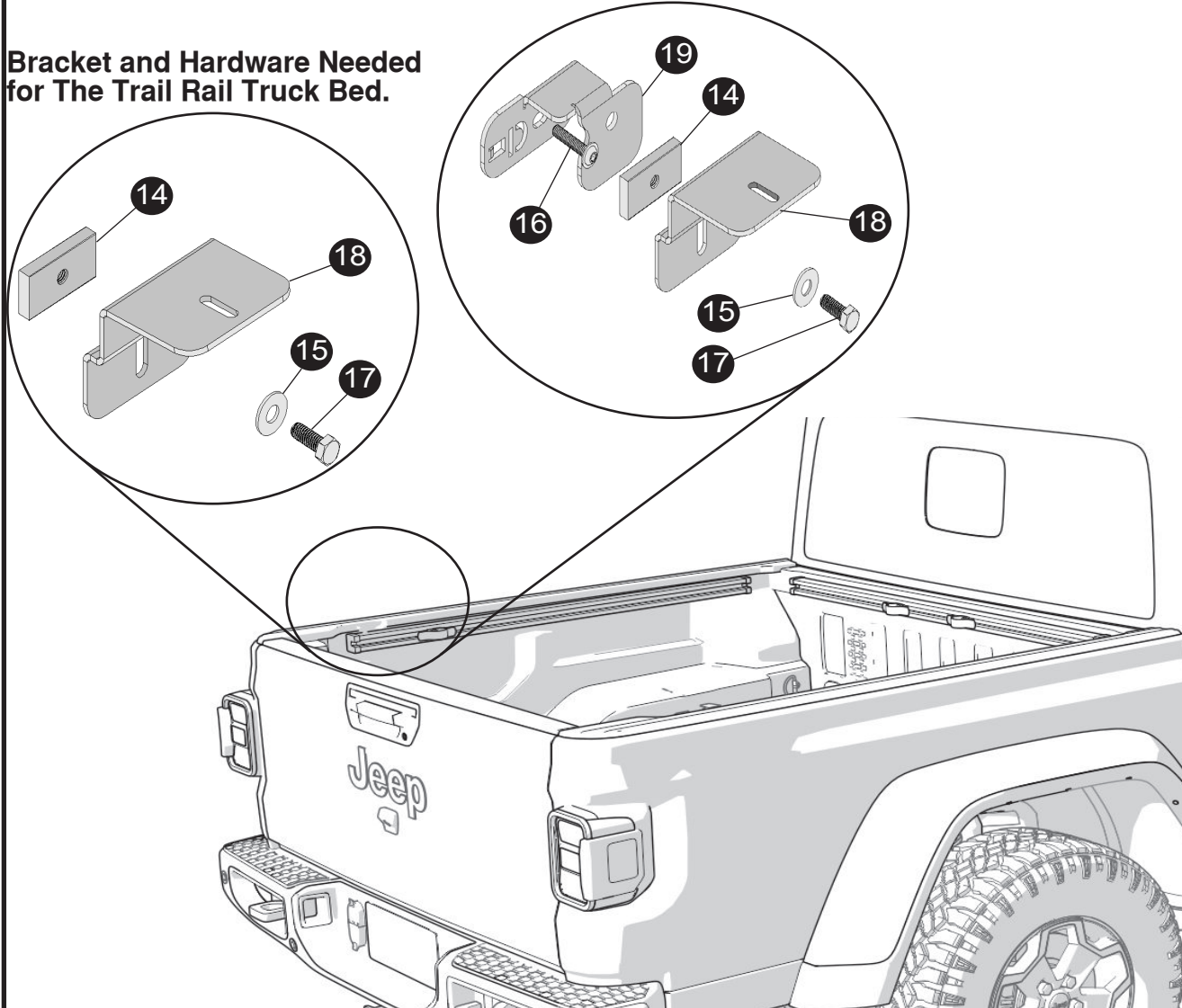
<p>14 1705880 (Qty. 2)</p>  <p>Rectangle Block Threaded 5/16-18</p>	<p>15 1700428 (Qty. 2)</p>  <p>Flat Washer 5/16"</p>	<p>16 1706342 (Qty. 2)</p>  <p>Screw Button Head m6 x 1.00 x 30mm</p>	<p>17 1705954 (Qty. 2)</p>  <p>Screw Hex Head 5/16-18 x 7/8"</p>
--	---	---	---

### Rear Brackets, Located in Hardware Bag 1118537

<p>18 1706275 (Qty. 2)</p>  <p>Rear Driver/ Passenger Bracket</p>	<p>19 1706339</p>  <p>Non-Trail Rail Spacer Bracket, Driver Rear</p>	<p>20 1706340</p>  <p>Non-Trail Rail Spacer Bracket, Passenger Rear</p>
--	---	---

### Bracket and Hardware Needed for The Non-Trail Rail Truck Bed.

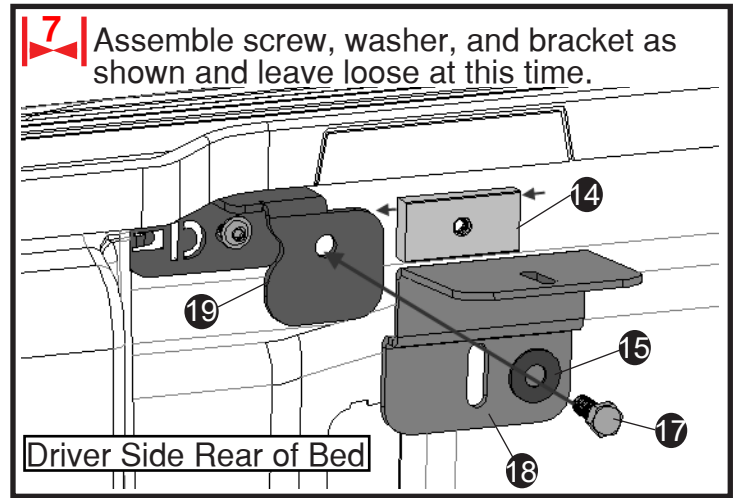
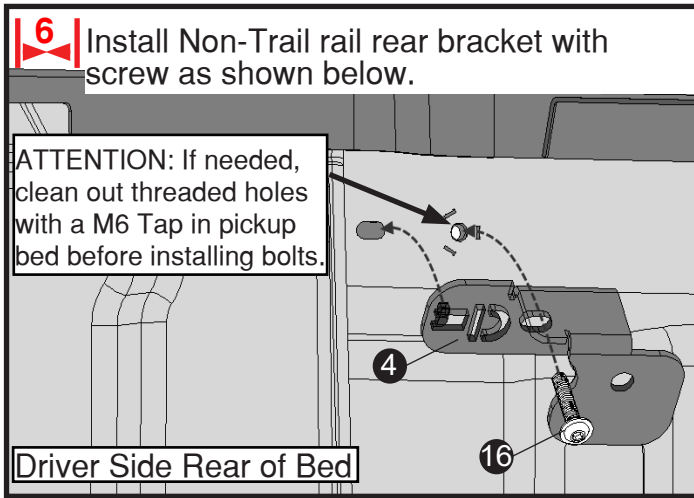
#### Bracket and Hardware Needed for The Trail Rail Truck Bed.



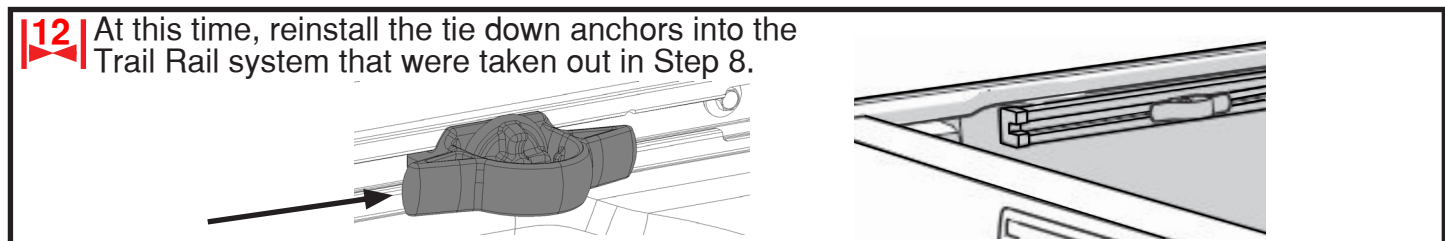
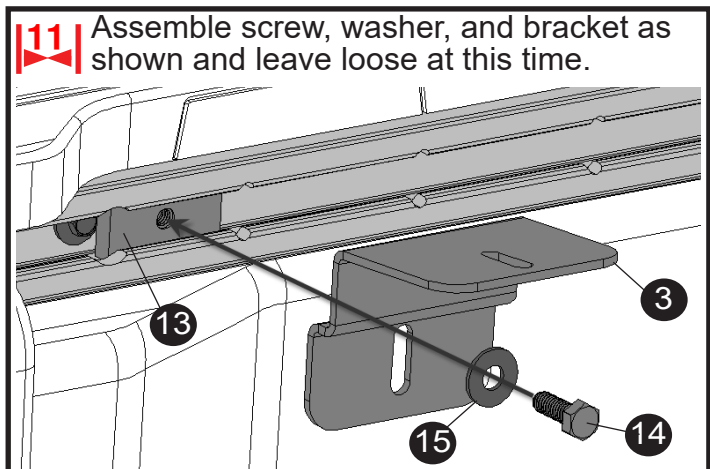
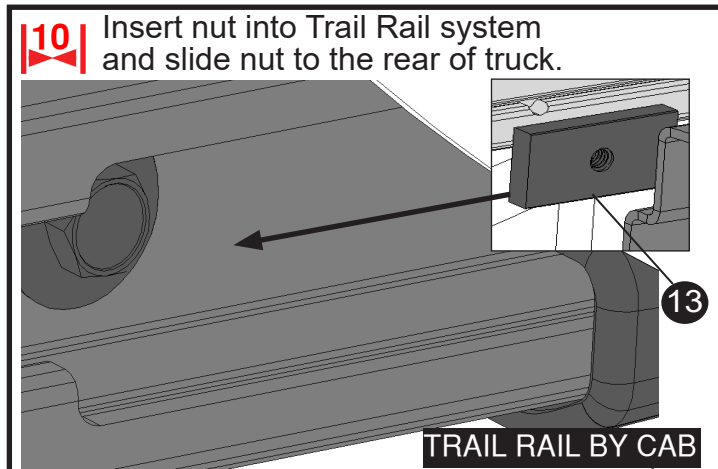
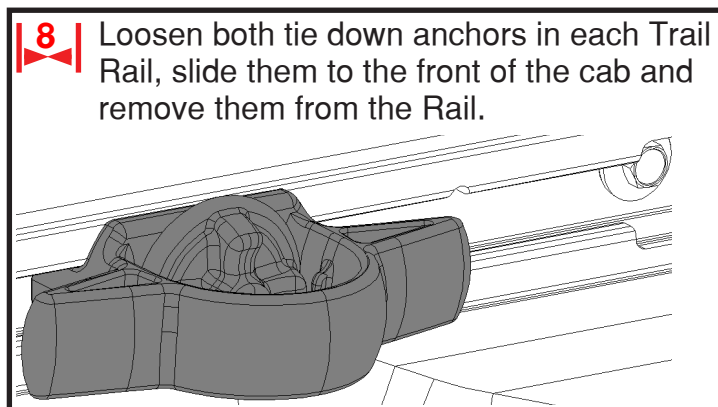
**INSTALLING REAR BRACKETS TO NON-TRAIL AND TRAIL RAIL TRUCK BOXES.**

- Follow steps 6 and 7 to attach rear brackets to a Non-Trail Rail truck box.

**Attention:** The following steps will be followed for both driver and passenger side.

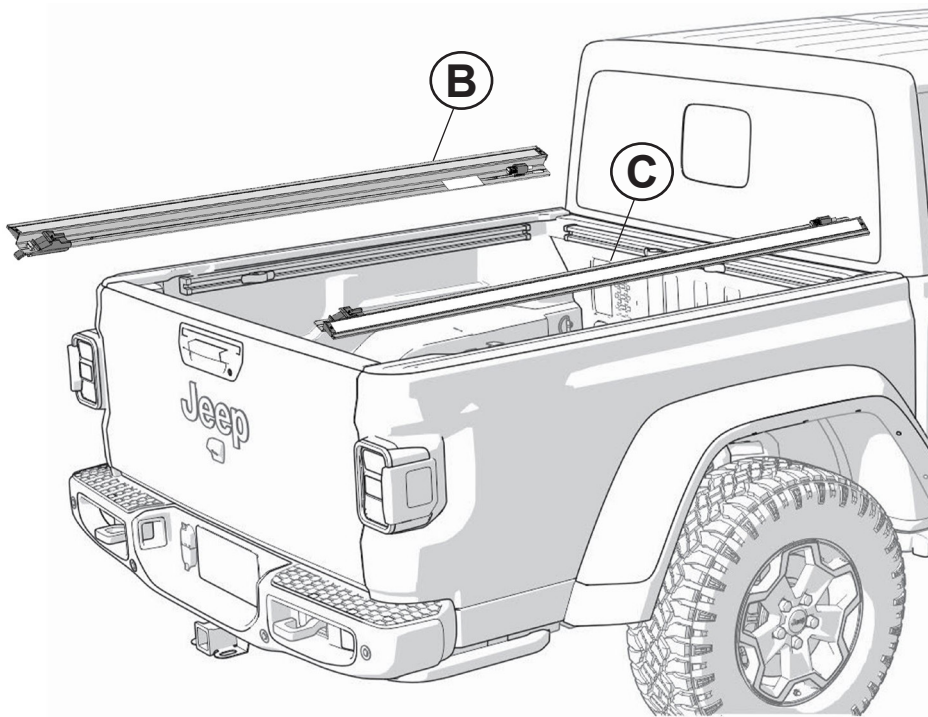
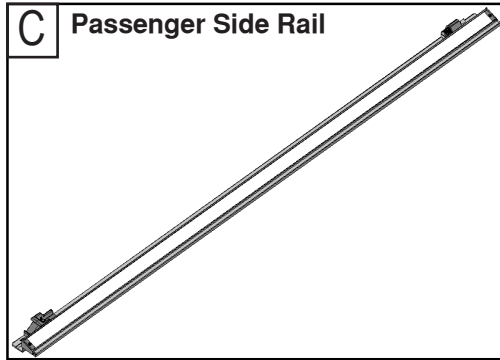
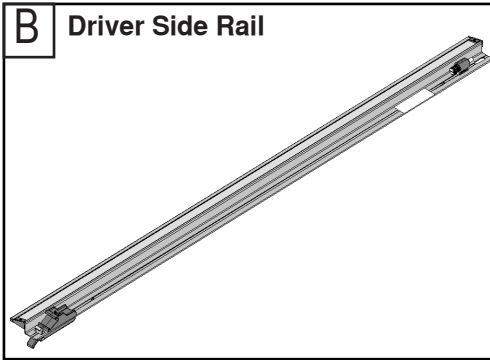
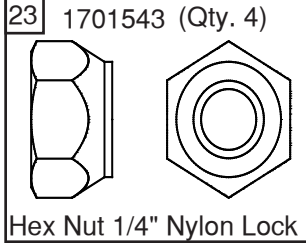
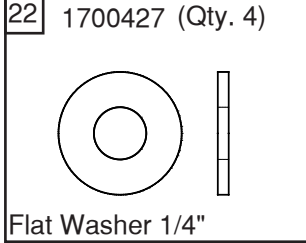
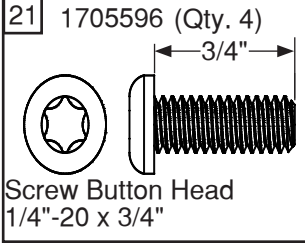


- Follow steps 8 thru 12 to attach rear bracket to a Trail Rail truck box.

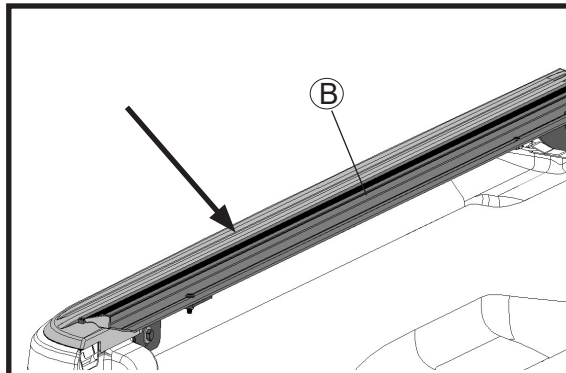


**SIDE RAILS AND HARDWARE NEEDED FOR TRAIL RAIL AND NON-TRAIL RAIL TRUCK BEDS**

**Side Rail Attachment Hardware, Use Hardware Bag 1118540**



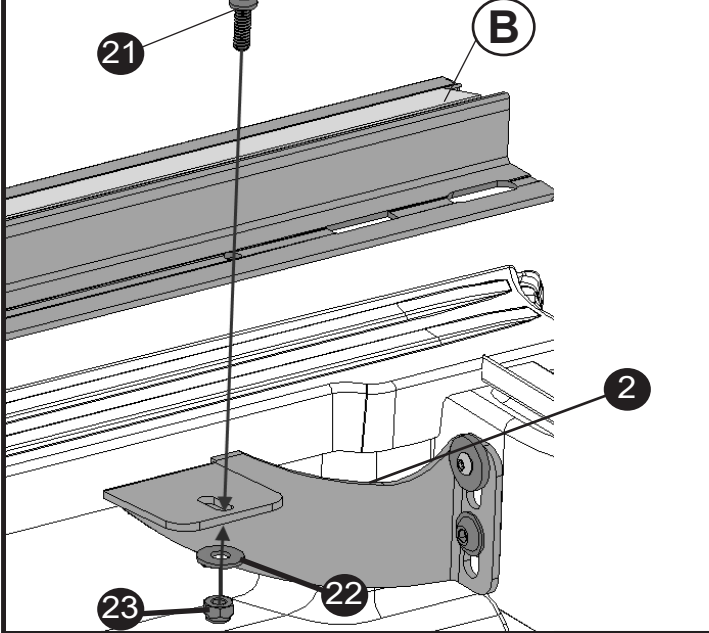
**Attention:** After proper alignment the outer edge of the side rail will sit on top of the truck bed rail.



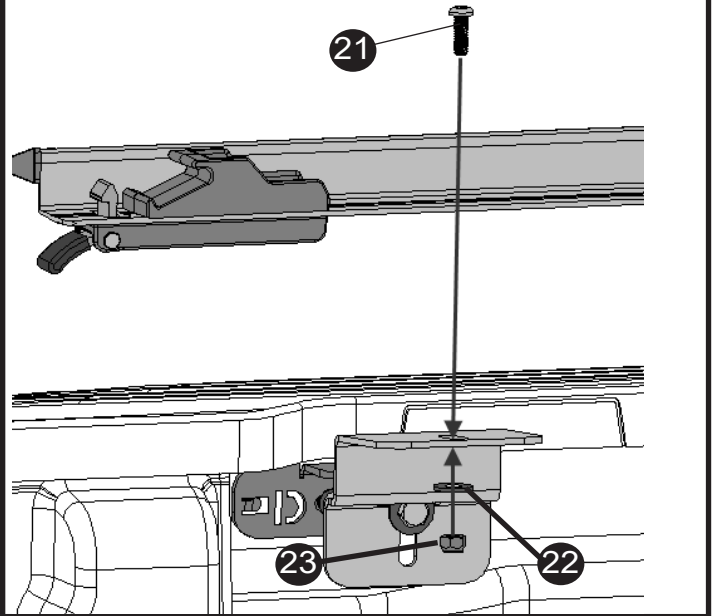


## INSTALLING SIDE RAILS FOR BOTH THE TRAIL RAIL AND NON-TRAIL RAIL TRUCK BEDS

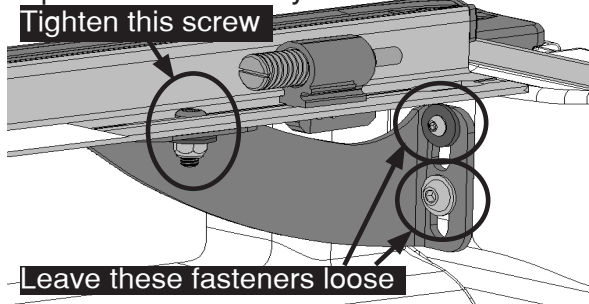
- 13** Locate the Mounting hole in rail at the front. Proceed by lining up that hole with the slot in the front bracket from step 5 and assemble hardware as shown.



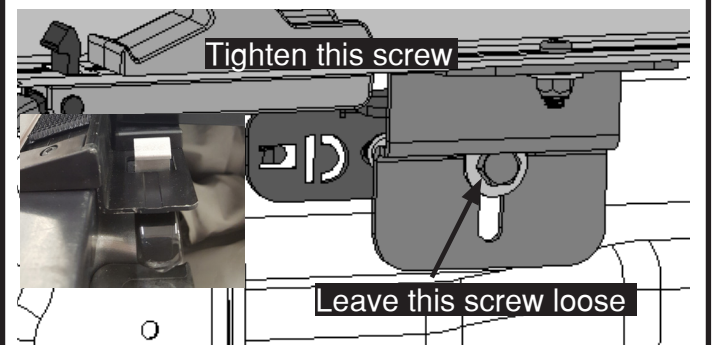
- 14** Locate the Mounting hole in rail at the rear. Proceed by lining up the mounting hole with the slot in rear bracket from step 4 and assemble hardware as shown.



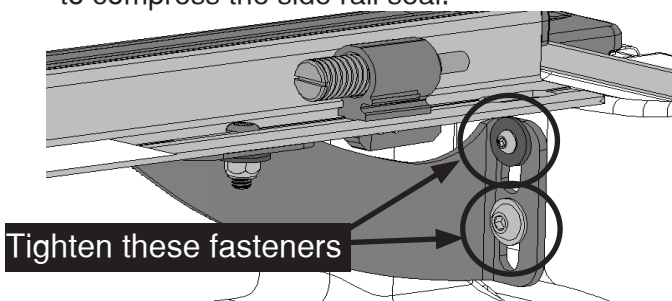
- 15** For proper side rail fit to the truck box, apply downward pressure on the rail and pull the rail towards the outside of the bed while tightening the screw. This will assure the rail is positioned correctly.



- 16** Apply downward pressure on the rail and pull towards the outside of the bed while tightening the screw to hold rail down on the bracket.

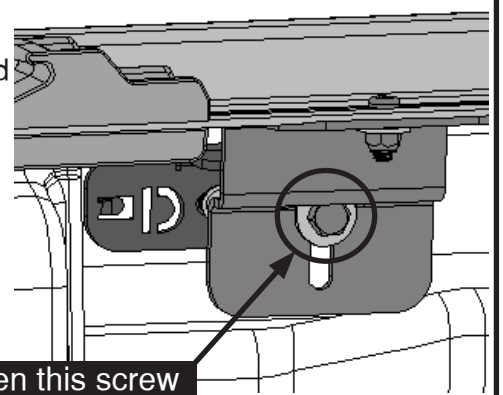


- 17** While tightening the two front fasteners securing the bracket to the bulkhead, apply downward pressure on the rail and the bracket to compress the side rail seal.



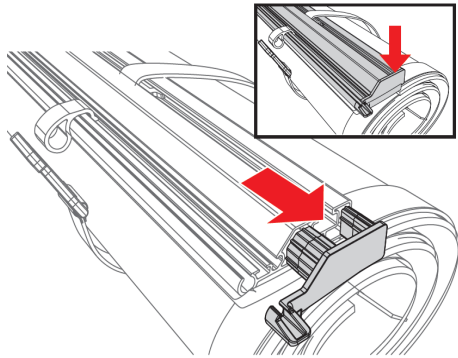
- 18** Apply downward pressure on the rail and the bracket, to compress the rail seal, then tighten the rear fasteners.

Tighten this screw



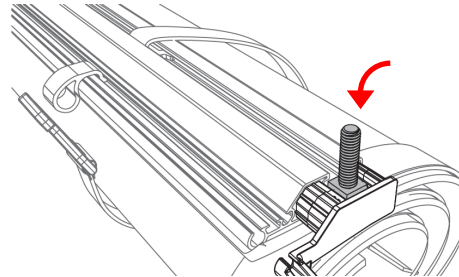
# INSTALLING COVER ASSEMBLY

**19** Install the square head bolts (24) in the front header. Follow the steps below on how to do this.

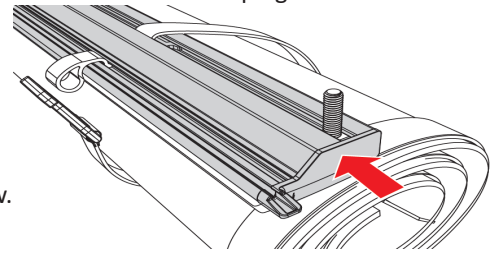


**STEP 1.** On the cover assembly (C), identify the driver and passenger front header end plugs. Remove both plugs by pulling them outward as shown below.

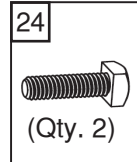
**STEP 2.** Install the bolts (24) by sliding them into the header as shown below. Do this on both driver and passenger sides.



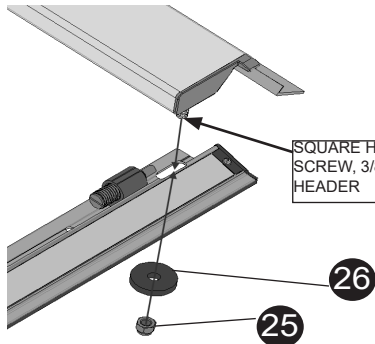
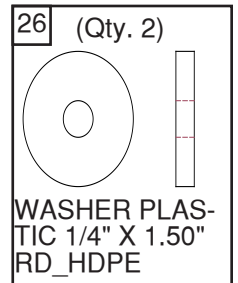
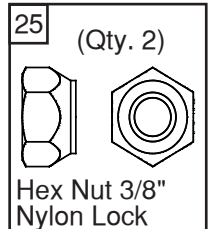
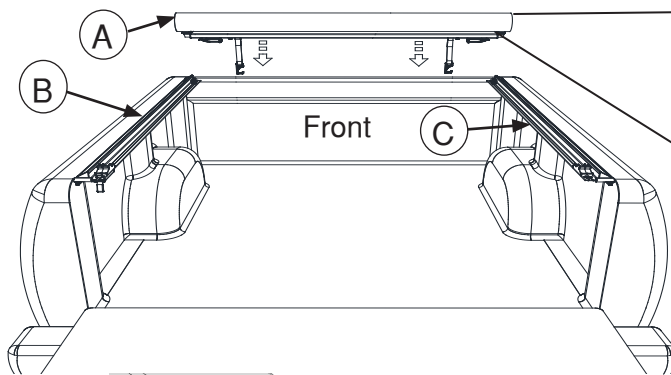
**STEP 3.** Reinstall both end plugs as shown below.



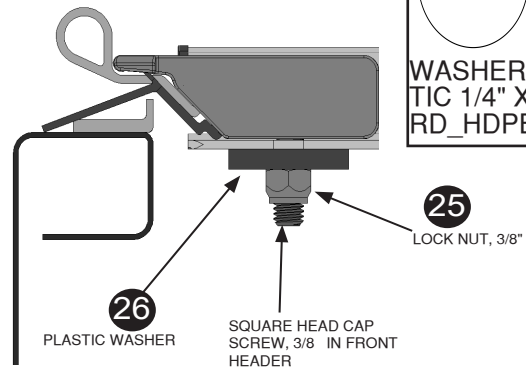
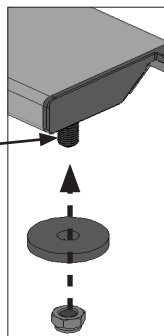
Hardware needed to attach the cover assembly to the side rails can be found in the main hardware bag 1118537.



**20** Set cover assembly across cab end of side rails. Insert square head cap screws through slots in side rails. Secure with plastic washers and lock nuts. Tighten 3/8" lock nut, Do not over tighten. Header must be free to slide back and forth.

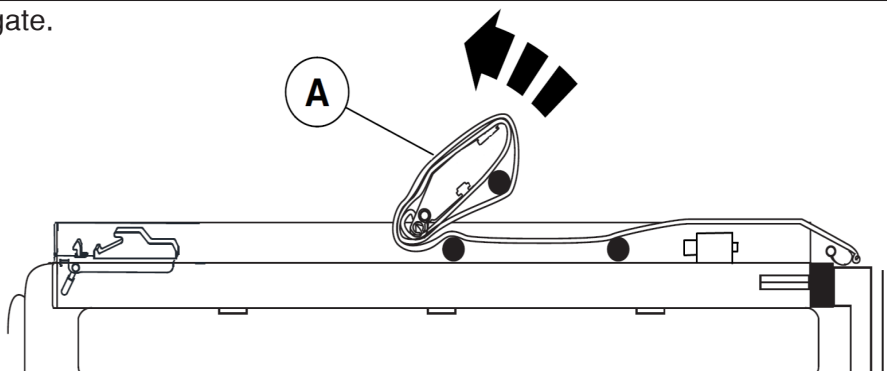
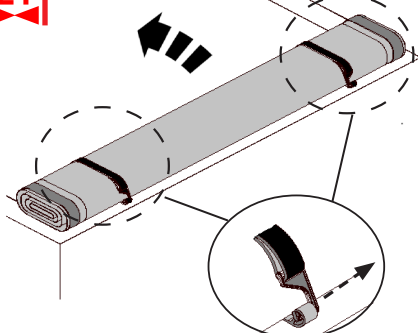


SQUARE HEAD CAP SCREW, 3/8" IN FRONT HEADER



## CLOSING THE COVER:

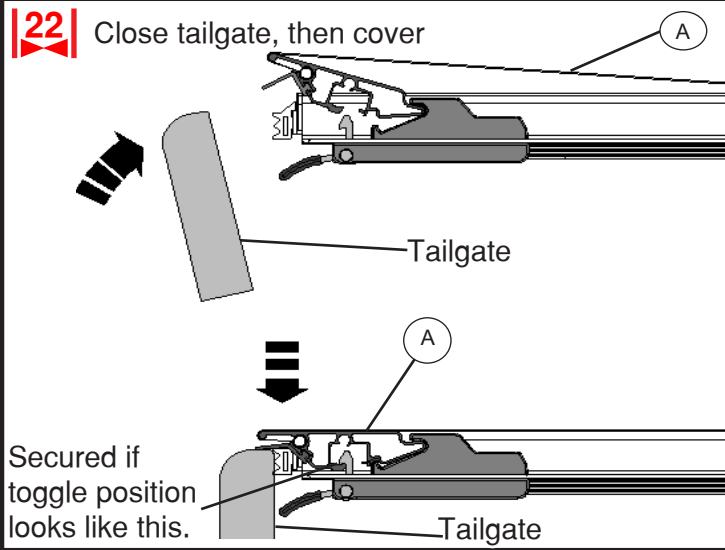
**21** Unhook and roll cover to the tailgate.



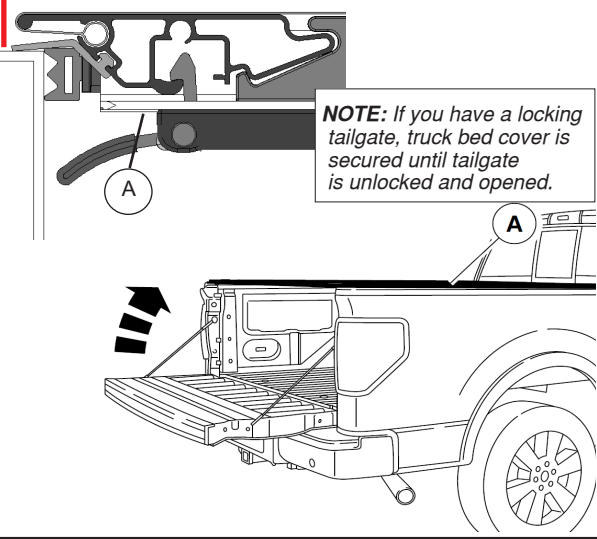
**CLOSING THE COVER CONT:**

**22**

Close tailgate, then cover

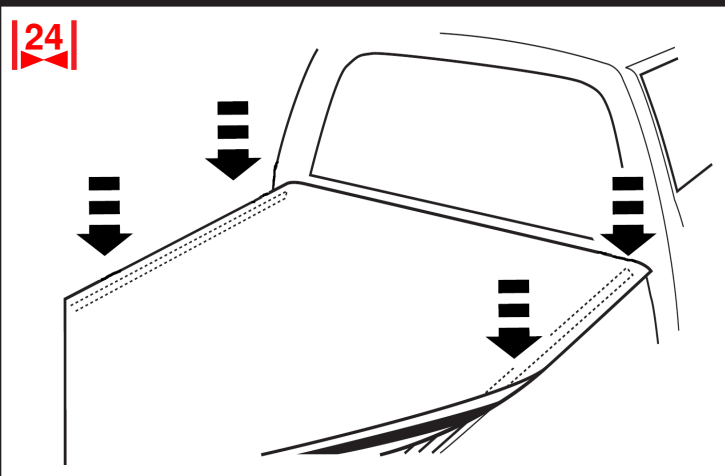


**23**



**SETTING HOOK AND LOOP FASTENER:**

**24**



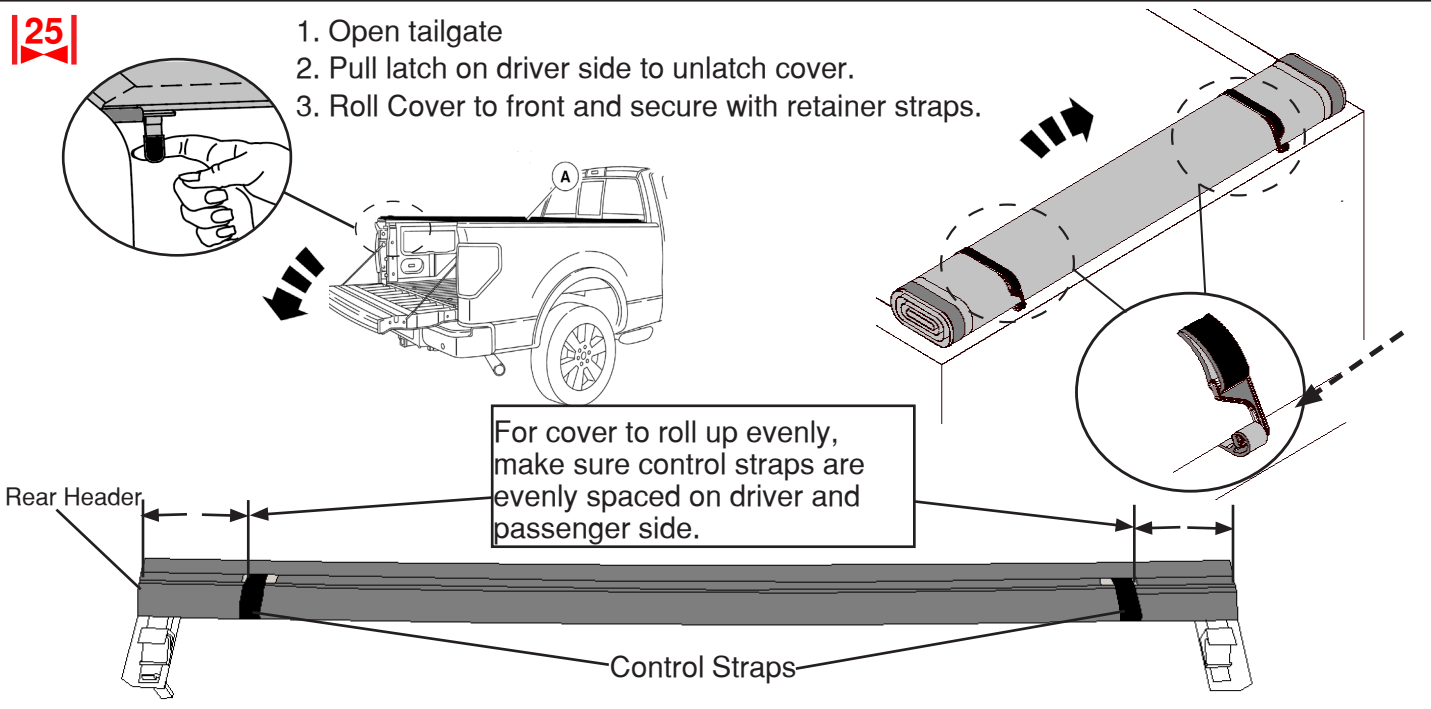
**Note:** Small wrinkles may be present after closing cover for first time. Remove wrinkles by pulling cover material from each side. For best results have cover unlatched. Relatch rear header after adjustments have been made.

**IMPORTANT:**  
Before driving vehicle, secure hook and loop fastener by running your hand down entire length of each rail. This will prevent wind lifting the cover and causing damage.

**OPENING THE COVER:**

**25**

1. Open tailgate
2. Pull latch on driver side to unlatch cover.
3. Roll Cover to front and secure with retainer straps.

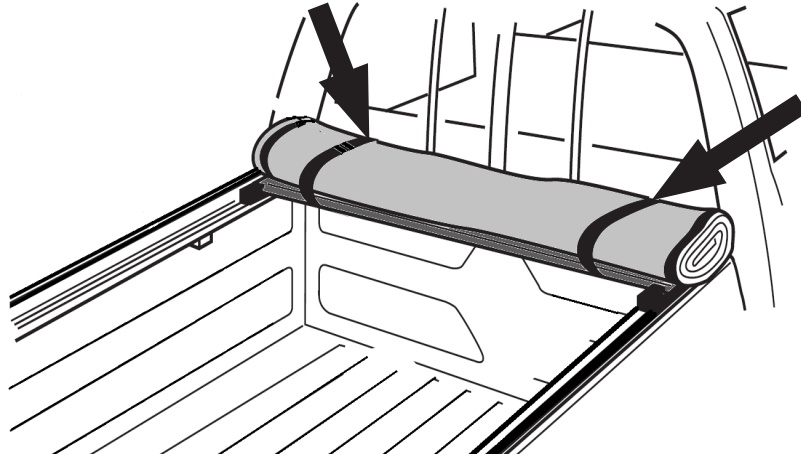


**CAUTION / ATTENTION/ PRECAUCIÓN**

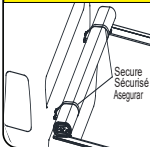
ROLL COVER TIGHT AND SECURE BOTH RETAINER STRAPS. **DO NOT** STOW COVER AGAINST CAB WINDOW.

COUVERTURE DE ROULEAU SERRÉ ET GARANTIR DEUX SANGLES DE SÉCURITÉ. **NE PAS** RANGER LA COUVERTURE CONTRE LA FENÊTRE DE LA CABINE.

ENVUELVE CUBIERTA FIRMEMENTE, Y ASEGURA AMBAS CORREAS DE LA SEGURIDAD. **NO** GUARDE CUBIERTA CONTRA VENTANA DE CABINA. P/N 1705298



**CAUTION / ATTENTION/ PRECAUCIÓN**



Before driving with cover open, BOTH STRAPS MUST BE SECURED TO RETAINING LOOPS. Failure to do so could cause accidental release of the cover, resulting in personal injury or property damage.

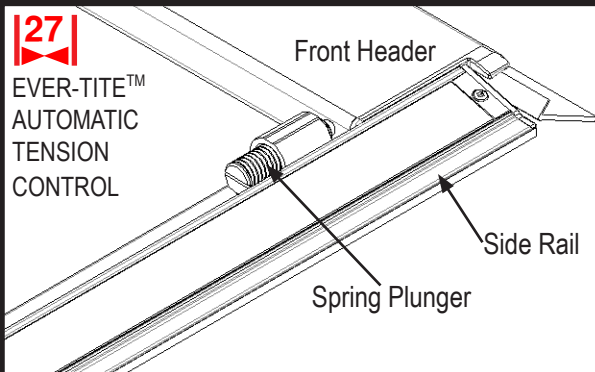
Avant de conduire avec le couvre-boîte ouvert, LES DEUX COURROIES DOIVENT ÊTRE SECURISÉ AUX BOUCLES DE RETENUE. Défaut de le faire pourrait causer libération accidentelle du couvre-boîte, résultant en blessures personnelles ou dommages aux biens.

Antes de conducir con cubierta abierta, AMBAS CORREAS DEBEN SER ASEGURADAS A LAZOS DE RETENCIÓN. El fracaso para hacer tan podría causar la liberación accidental de la cubierta, dando por resultado daños corporales o daños materiales.

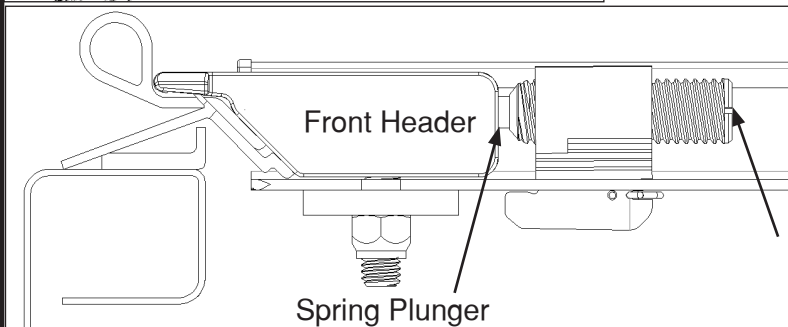
P/N 1705298

**COVER TENSION ADJUSTMENT**

EVER-TITE™  
AUTOMATIC  
TENSION  
CONTROL

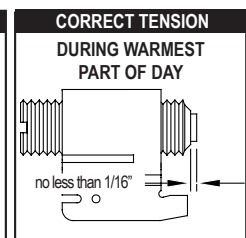
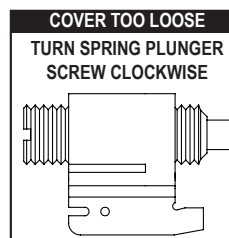


- Spring plunger compensates for material expansion & contraction caused by temperature changes.
- Check cover tension after installation, seasonally, and after extreme temperature changes.
- For best performance, adjust tension regularly to protect your cover against wind wear.

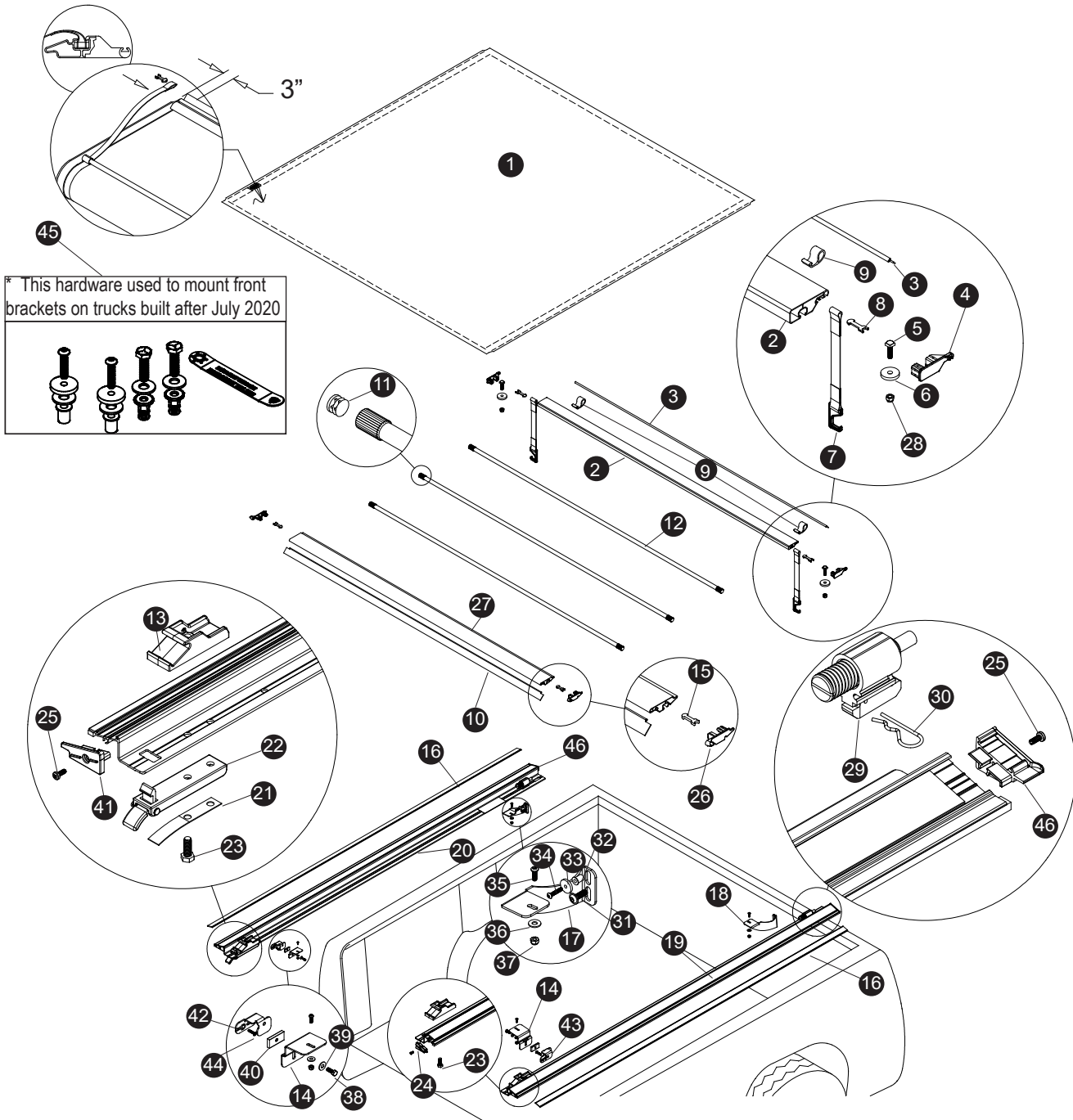


Set tension during WARMEST PART OF THE DAY. With cover closed, release hook and loop fastener from both side rails near cab. Check compression of both spring plungers against the front header per diagram. Roll cover open and make adjustments. Close cover and re-check adjustment. Repeat until satisfactory tension has been achieved.

**NOTE:** Adjust tension in small increments. Slight adjustments will gain significant results



# WITHOUT TRAIL RAIL SYSTEM



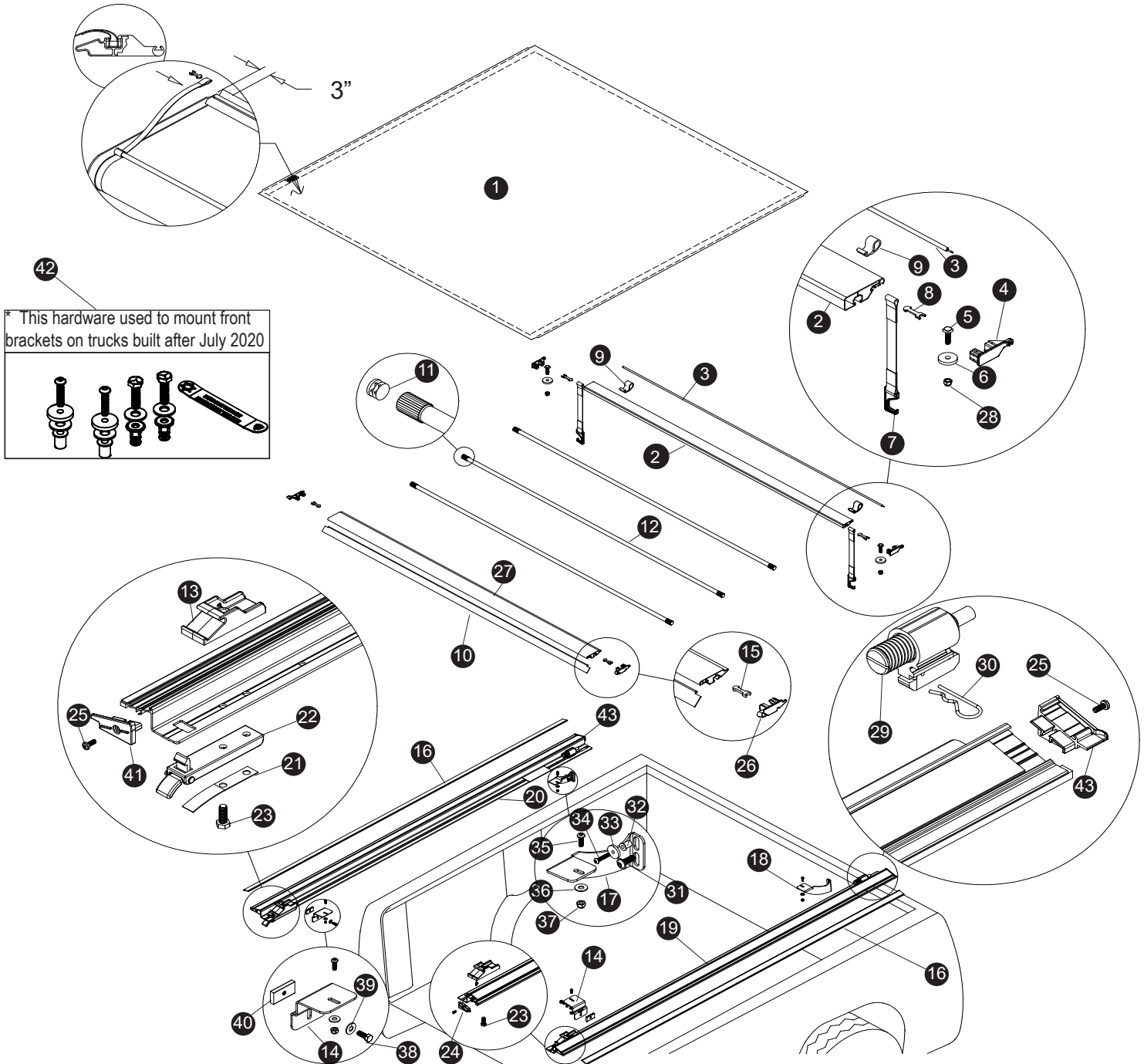
\* This hardware used to mount front brackets on trucks built after July 2020

## Replacement Parts For Kit Without The Trail Rail Cargo Management System

1	*	Replacement Cover	15	1115354	Header Insert Retainer Clip	30	1703332	Pin, Hitch_1/16" Dia.x 1-5/16" long.
2	*	Black Front Header	16	*	Hook and Loop Fasteners	31	1706277	Cap Screw Button Head M8
3	*	Header Seal Front	17	1706273	Driver Front Bracket	32	1706279	Well Nut 10-32
4	1118915	Front Header End Plugs (Set of Two)	18	1706274	Passenger Front Bracket	33	1706347	Flat Washer
5	1703455	Square Head Bolt 3/8"-16 X 1.25"	19	*	Passenger's Side Rail	34	1706278	Cap Screw Button Head 10-32 X 1
6	1115745	Plastic washer	20	*	Driver's Side Rail	35	1705596	Button Head Screw 1/4-20
7	*	Retainer Strap	21	1705727	Flat Spring, 5/8" x 3 7/8"	36	1700427	Flat Washer 1/4"
8	1115354	Header Retainer Clip	22	1116224	Latch Assembled	37	1701543	Nylon Lock Nut 1/4-20
9	*	Extruded Retainer Loop	23	1702926	Cap Screw, 5/16" x 7/8"	38	1705954	Cap Screw Hex Head 5/16-18 X 7/8"
10	*	Header Seal Rear	24	1706757	Rear Passenger Rail Endplug	39	1700428	Flat Washer 5/16"
11	1705052	End Plug, 1" OD	25	1706547	Square Head Screw (#1 Drive)	40	1705880	5/16" Rail System Nut
12	*	Aluminum Cross Tubes	26	1117467	Rear Header End Plugs (Set of Two)	41	1706756	Rear Driver Side Rail Endplug
13	1704187	Header Stop	27	*	Black Rear Header	42	1706339	Driver Rear Bracket Without Trail Rail
14	1706275	Driver/ Passenger Rear Bracket	28	1701580	Nylon Lock Nut 3/8"	43	1706340	Passenger Rear Bracket Without Trail Rail
			29	1115356	Tension Control Bracket	44	1706342	Flanged Button Head M6
						45	1706541	Hardware bag_Cab Mounting Bracket
						46	1118701	Front Rail End Plugs (Set of 2)

\* Please specify length or make and model of vehicle.

# WITH TRAIL RAIL SYSTEM



\* This hardware used to mount front brackets on trucks built after July 2020

## Replacement Parts For Kit With The Trail Rail Cargo Management System

1	*	Replacement Cover	15	1115354	Header Insert Retainer Clip	30	1703332	Pin, Hitch_1/16" Dia.x 1-5/16" long.
2	*	Black Front Header	16	*	Hook and Loop Fasteners	31	1706277	Cap Screw Button Head M8
3	*	Header Seal Front	17	1706273	Driver Front Bracket	32	1706279	Well Nut 10-32
4	1118915	Front Header End Plugs (Set of Two)	18	1706274	Passenger Front Bracket	33	1706347	Flat Washer
5	1703455	Square Head Bolt 3/8"-16 X 1.25"	19	*	Passenger's Side Rail	34	1706278	Cap Screw Button Head 10-32 X 1
6	1115745	Plastic washer	20	*	Driver's Side Rail	35	1705596	Button Head Screw 1/4-20
7	*	Retainer Strap	21	1705727	Flat Spring, 5/8" x 3 7/8"	36	1700427	Flat Washer 1/4"
8	1115354	Header Retainer Clip	22	1116224	Latch Assembled	37	1701543	Nylon Lock Nut 1/4-20
9	*	Extruded Retainer Loop	23	1702926	Cap Screw, 5/16" x 7/8"	38	1705954	Cap Screw Hex Head 5/16-18 X 7/8"
10	*	Header Seal Rear	24	1706757	Rear Passenger Rail Endplug	39	1700428	Flat Washer 5/16"
11	1705052	End Plug, 1" OD	25	1705629	Square Head Screw (#1 Drive)	40	1705880	5/16" Rail System Nut
12	*	Aluminum Cross Tubes	26	1117467	Rear Header End Plugs (Set of Two)	41	1706756	Rear Driver Side Rail endplug
13	1704187	Header Stop	27	*	Black Rear Header	42	1706541	Hardware Bag_Cab MountingBracket
14	1706275	Driver/ Passenger Rear Bracket	28	1701580	Nylon Lock Nut 3/8"	43	1118701	Front Rail End Plugs (Set of 2)
			29	1115356	Tension Control Bracket			

\* Please specify length or make and model of vehicle.

## **OWNER/USER RESPONSIBILITIES:**

It is the responsibility of the owner/user to read this manual and comply with the operating procedures. The owner/user is also responsible for inspecting the TruXedo cover and for having parts repaired or replaced when worn or damaged. Failure to follow safety instructions and warning labels could result in failure of your cover system and/or personal injury.

## **SAFETY INSTRUCTIONS:**

1. Do not place objects on or against cover or framework.
2. Do not tie cargo to truck bed cover framework.
3. Never allow children or pets to occupy pickup box while cover is closed.
4. Cover is not airtight. Special care is required to keep cargo clean and dry.
5. Fabric cover won't prevent theft of contents inside truck box.
6. Cover must be rolled fully open and secured with retainer straps when towing vehicle backwards.
7. DO NOT stow rolled cover against cab window.
8. DO NOT ATTEMPT TO DRIVE WITH THE COVER IN THE PARTIALLY OPEN POSITION!
9. A FULLY ROLLED OPEN COVER MUST ALWAYS BE SECURED WITH RETAINER STRAPS.
10. DO NOT operate vehicle with objects on top of the cover.

## **IMPORTANT OPERATING TIPS:**

- Truck bed cover must be free of foreign material including snow and ice before rolling cover open or closed.
- It is recommended to operate vehicle with cover rolled closed and latched for optimal fuel economy.
- After closing cover make sure hook and loop on both sides are engaged.
- If side rails are tipping, clamps can be adjusted to level the rails to ensure proper fit. **DO NOT** roll cover into rear cab window. **DO NOT** stow rolled cover against cab or cab window.

### **1. Fabric top surface has wrinkles after rolling cover closed.**

- Pull fabric taut from each side. For best results, the help of a second person pulling on the opposite side is preferable.

### **2. Fabric top surface sags between cross tubes.**

- Adjustment to automatic tension control may be required, refer to Step 27.

### **3. Wind lifts up edge of fabric.**

- Make sure to engage hook and loop on driver and passenger side after closing the cover. This may need to be done periodically when taking long trips.

### **4. Excessive fabric flutter while driving.**

- Check fabric tension, refer to Step 27.
- Make sure hook and loop fasteners are set, see step 24.

### **5. Snow and Ice accumulation on top surface.**

- Use broom or brush to remove loose snow and ice. **Do not** use sharp or pointed tools to remove snow and ice.
- Direct sunlight will help melt snow and ice from top surface.

### **6. How to Clean Fabric.**

- Soap, water, and soft fine bristle brush.

## **TROUBLESHOOTING:**

### **Headers Will Not Latch**

- Check side rails to make sure they are level.
- Make sure the rear header seal is not caught between side rail & rear header.
- Check position of side rails on truck bed, they may be positioned incorrectly, see steps 13 thru 18
- Make sure cover has proper tension. See Step 27.

### **Side Rails Tilt Downward or Upward**

- Reposition clamp up or down, refer to steps 13 thru 18.

## **TOU BLSHOOTING CONTINUE:**

### **Cover Leaks Water**

- Cover is not designed to be fully water tight.
- Make sure clamps are tight and rails are positioned correctly.
- Extra seal can be added to help block water intrusions.

### **Top of Cover Pools Water**

- Water pooling is normal with fabric covers.
- The cross tubes are not arched, therefore some water pooling may occur and is normal. This will not affect performance or the water management properties in this fabric.
- Make sure cover is pulled tight on each side and automatic tension control is properly adjusted.

### **Cover Rolls Up Crooked**

- Make sure control straps are evenly set. See Step 25.

### **Cover Is Too Tight or Too loose**

- Make sure clamps are tight and rails are positioned correctly.
- Make sure cover is pulled tight on each side and automatic tension control is properly adjusted.

## **COVER CARE AND MAINTENANCE:**

1. Cover surface can be hand washed with mild soap and water or cleaned in a car wash. Thoroughly rinse cover to remove any soap residue. Never use vinyl conditioners that contain silicon, petroleum, or citrus based products on your truck bed cover as they may crack and shrink the vinyl top surface. **\*\*\*Do not use a power washer to clean cover.\*\*\*** If a manual car wash is used do not aim the car wash and directly at the fabric's top surface. This will damage the fibers.
2. It is recommended that you periodically check that the cover is securely attached to your truck bed. Inspect the clamps and front header guide slides to ensure they were properly installed and have not come loose during operation.
3. It is recommended that you periodically inspect and service the rear latch closures. Clean away any excess dirt or grime and lubricate with silicone spray. Ensure the latches move freely in and out to properly engage the side rail and provide performance with optimal security. Be careful not to over spray the cover.
4. Covers that are used frequently or are subject to vibrations and impacts from rough roadways can require adjustment.

## **LIFE TIME WARRANTY:**

TruXedo warrants that all new, unused products are free from defects in material and workmanship. This Lifetime Limited Warranty is effective if the product is properly installed and used for the purpose intended. It applies to the original buyer only. TruXedo's obligation under this Warranty is limited to repairing, or at its option, replacing any part that is returned, transportation prepaid, to TruXedo, if the product is, in our judgment, defective. All materials must be accompanied by an RMA (Returned Material Authorization) number requested by and authorized in advance of returning the materials. TruXedo shall not be liable or responsible to supply or pay labor to replace any part found defective, nor shall it be liable for any damages of any kind or nature to person, product, or property.

There are no Warranties for used products or products that have been repaired, altered, modified, subjected to misuse, negligence, accident or ordinary wear and tear. TruXedo products are sold without any express warranty except as set forth above. TruXedo is not obligated to honor warranty claims if Genuine TruXedo parts are not Utilized.

Warranty registration must be on file and/or proof of original purchase (detailed and dated receipt) required for warranty to be effective.  
Register warranty online at [www.truxedo.com](http://www.truxedo.com)

Customer Service Phone: (1-877-878-9336)  
Fax: (605) 664-9304