

# INSTALLATION INSTRUCTIONS

## **CUSTOMER SERVICE**

Phone: 877-878-9336 • 8:00 am - 5:00 pm Mon - Fri CT

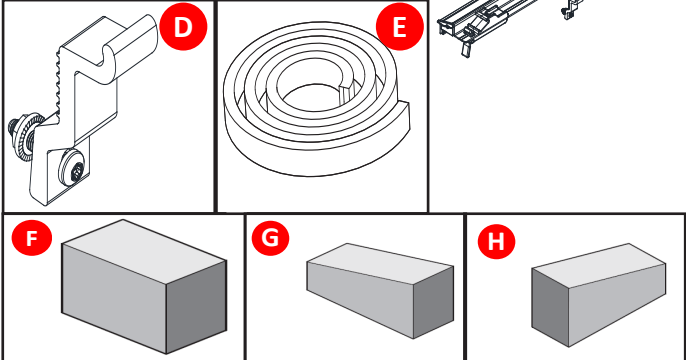
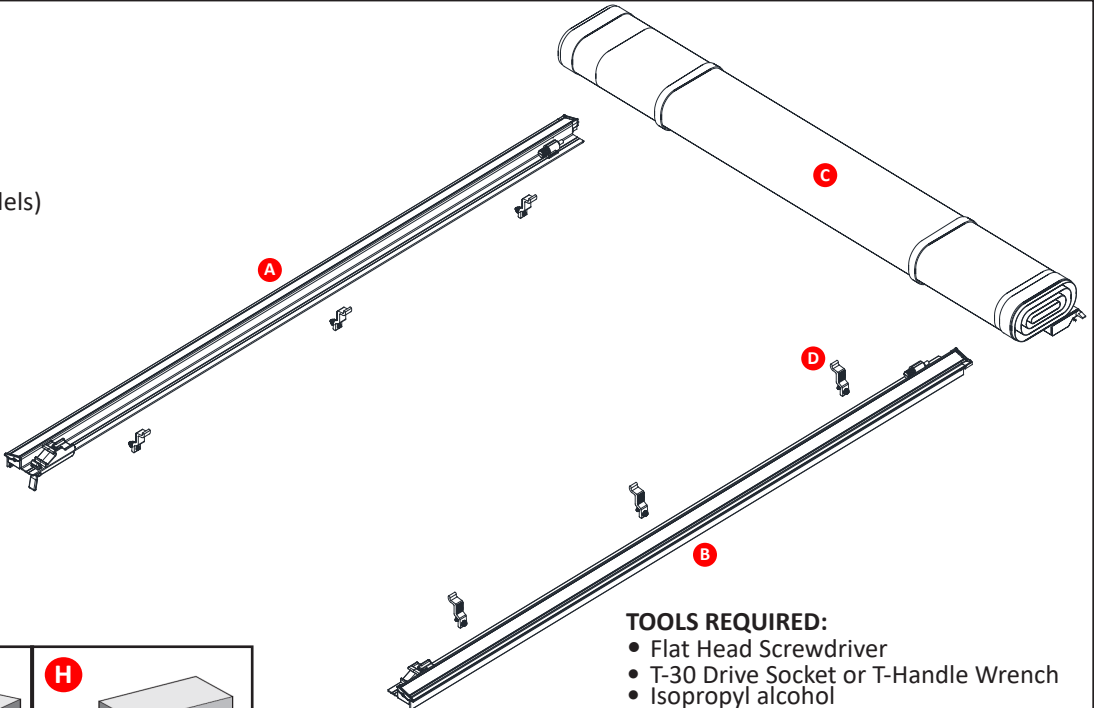
Email: [customersupport@truxedo.com](mailto:customersupport@truxedo.com)

Damaged or missing parts? Call 877-878-9336 Mon - Fri 8 am - 5 pm CT  
 Parts will be shipped to you factory direct. Do not return kit to place of purchase.

READ INSTRUCTIONS - Failure to assemble cover properly will void warranty. To view install video visit [truxedo.com/lopro](http://truxedo.com/lopro)

### PARTS INCLUDED IN YOUR KIT:

- A** Driver side rail
- B** Passenger side rail
- C** Cover assembly
- D** 6x clamps
- E** Bulkhead seal (on select make/models)
- F** 2x Front corner seals
- G** 2x End plug seals
- H** 2x End plug seals



### TOOLS REQUIRED:

- Flat Head Screwdriver
- T-30 Drive Socket or T-Handle Wrench
- Isopropyl alcohol

### TOOLS RECOMMENDED:

- Spring Clamps
- Scissors/Utility Knife

**1** The serial number for the cover is located here.

For future reference, write it here:

\_\_\_\_\_

**2** It is important that all areas where the bed cover mounts are clean and free of debris prior to installing.

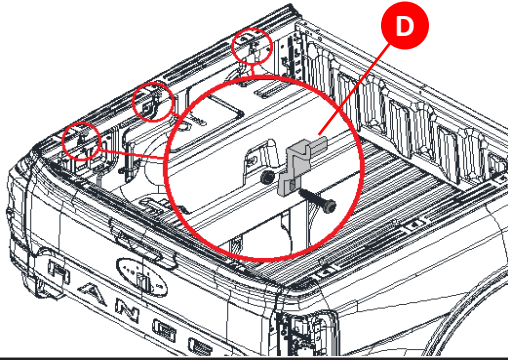
**3** Attach front corner seals (F) by peeling the white paper backing off and attaching the seals to the front corners as shown. Front corner seals should sit 3mm above the bed caps. Clean the area with isopropyl alcohol to remove wax or grease and to evaporate any remaining water, allow the surface to dry. Then position the seal and apply pressure to the entire seal to make sure the adhesion is good.

3 mm

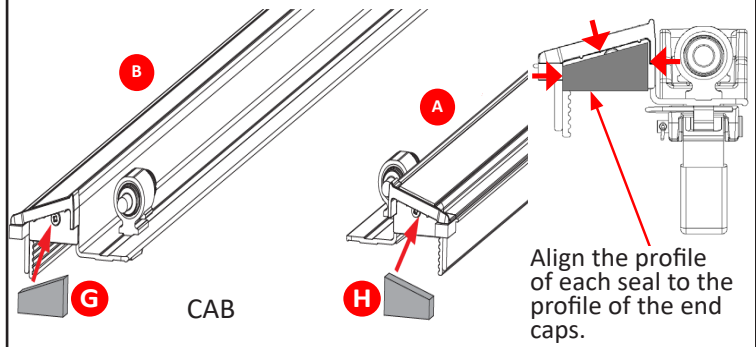
**4** Remove the plastic plugs from the truck's side rail flanges.

**Note:** Store the removed plastic plugs in the glovebox of the vehicle.

**5** Install the six clamp brackets (D) to the truck box. Leave hardware loose at this time.

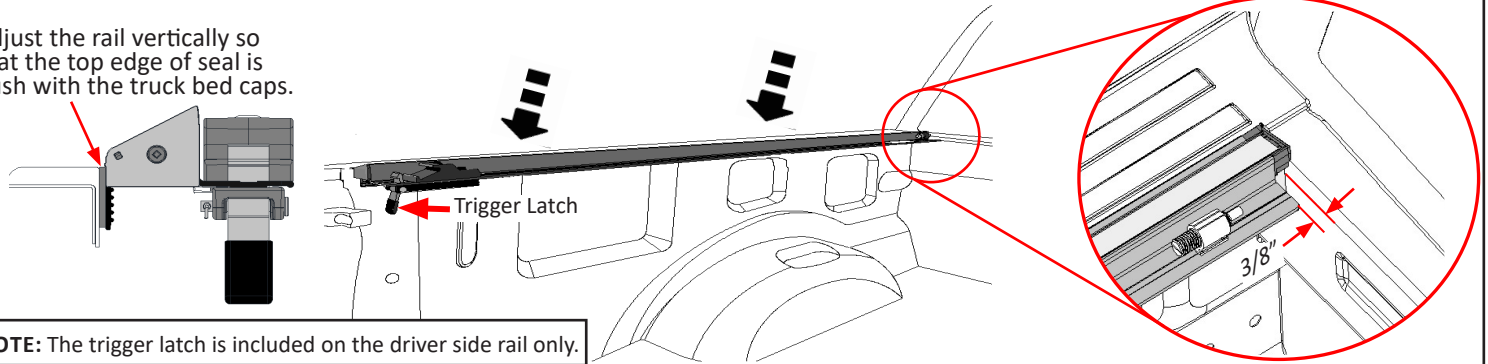


**6** Attach the end plug seals (G & H) to the front ends of the driver and passenger rails (A & B).



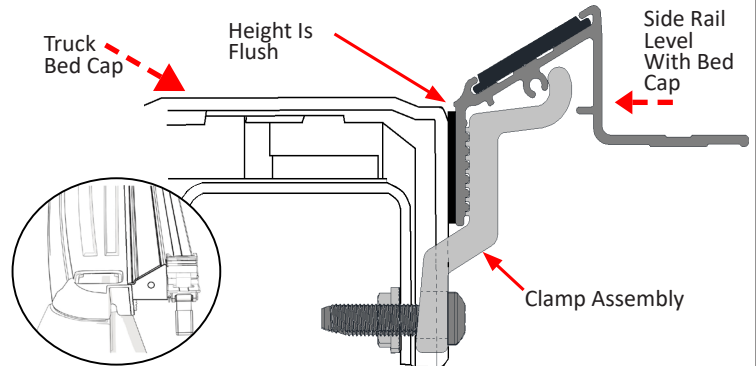
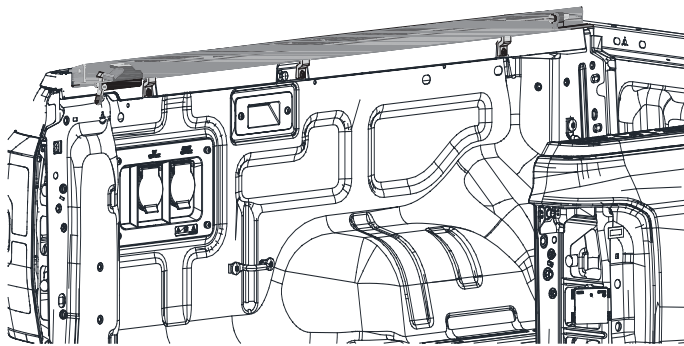
**7** Position the driver side rail (A) to the inside of the truck's bed rail. Adjust the rail vertically so that the seal is flush with the truck bed caps. The front edge of the rails will be 3/8" back from the bulkhead.

Adjust the rail vertically so that the top edge of seal is flush with the truck bed caps.



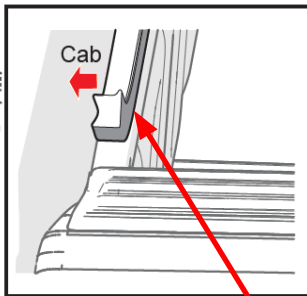
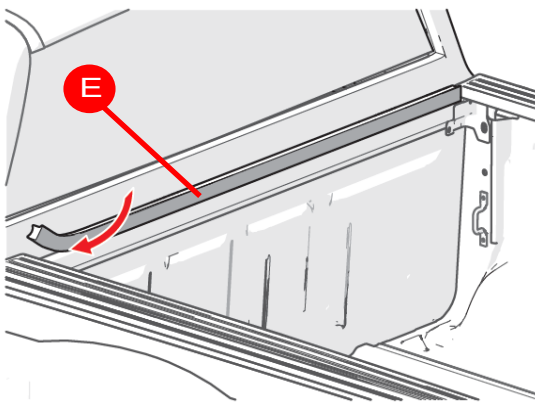
**NOTE:** The trigger latch is included on the driver side rail only.

**8** For optimal latching performance and cover fit, the side rails (A & B) should be level with the truck bed caps and not tilted up or down. To fine-tune side rail tilt, you can reposition the clamps. To adjust the rail tilt upwards or downwards. Tighten all clamps with a T-30 drive socket or T-handle wrench.

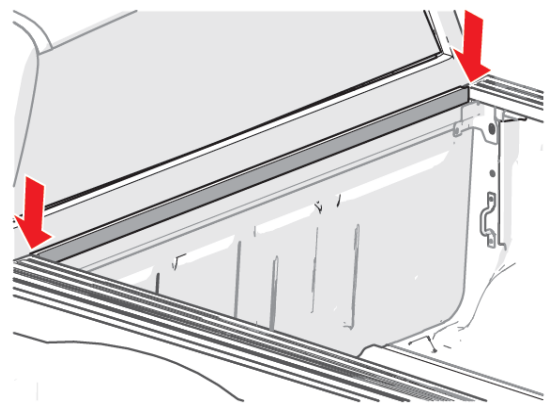


**NOTE:** The use of spring clamps to hold the side rail in place can assist during the installation process.

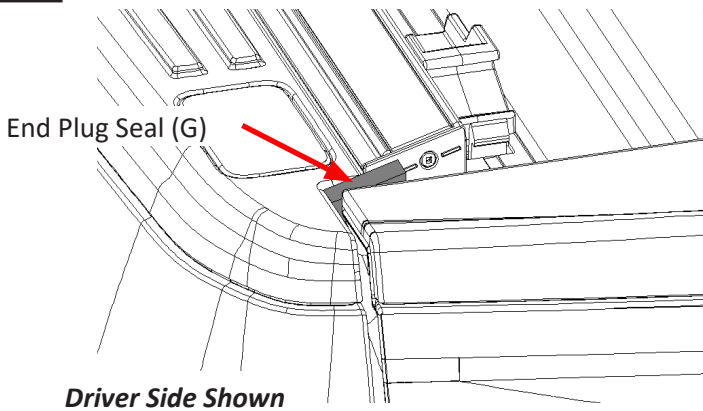
**9** Install the bulkhead weather seal (E) to the truck's front bulkhead. Clean the area where the seal will go with soap and water to remove dirt and debris. Then clean the area with isopropyl alcohol to remove wax or grease and to evaporate any remaining water, allow the surface to dry. Then position the seal and apply pressure to the entire seal to make sure the adhesion is good.



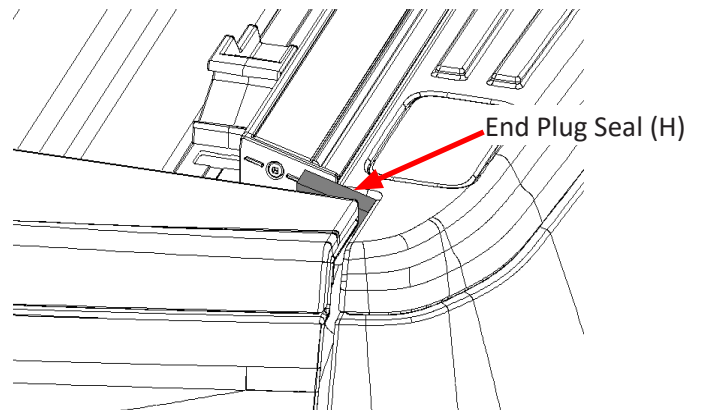
Install the seal flush to the inside face of the truck's bulkhead as shown.



**10** Many truck tailgates, when closed, have corner gaps that allow moisture to enter the truck bed. Apply the end plug seals (G and H) to the rear side rail end plugs and truck bed corners to block moisture from entering the truck bed at the tailgate.



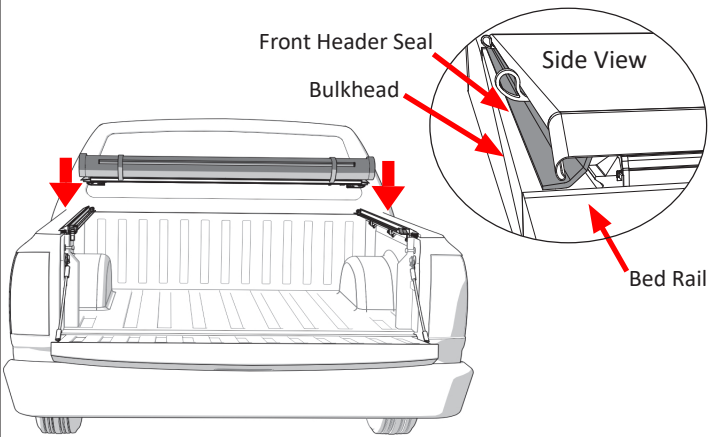
Driver Side Shown



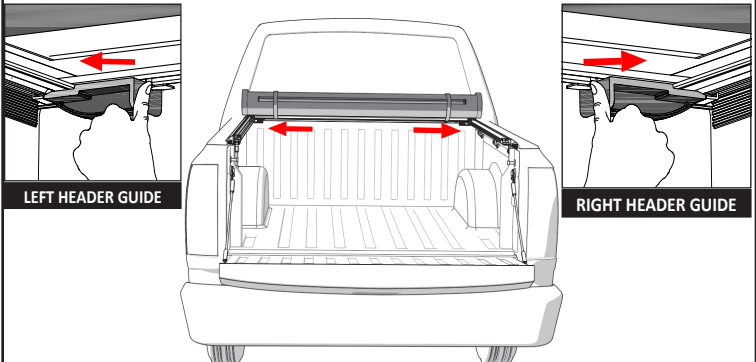
Passenger Side Shown

**NOTE:** If moisture does enter at the tailgate area then generally the moisture will run down the tailgate and out through the bottom of the tailgate and away from the truck.

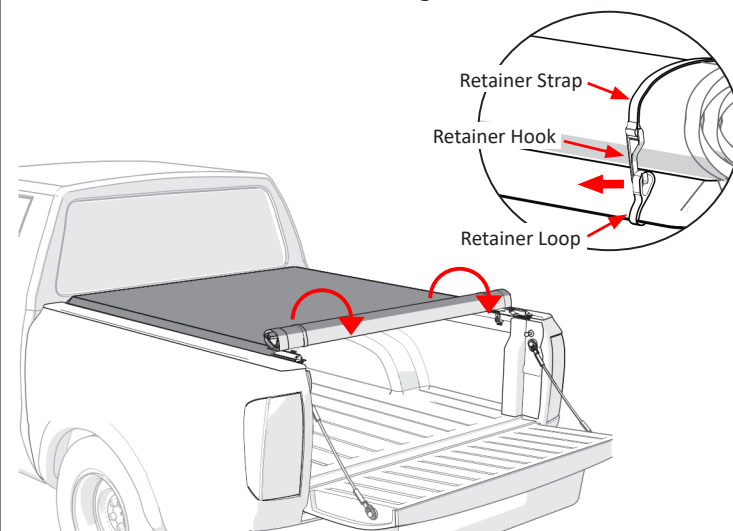
**11** Place the cover (C) on the side rails towards the front of the truck bed (near the cab). The front header seal is designed to help shed water and should be sitting on top of the bulkhead.



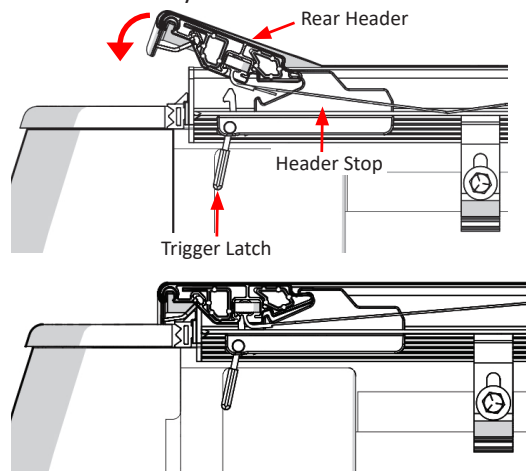
**12** To connect the cover assembly (C) to the side rails (A & B), slide the right and left header guides into the locked position. A clicking sound will indicate a secure attachment.



**13** Disengage the retainer hooks from the retainer loops and unroll the cover towards the tailgate.



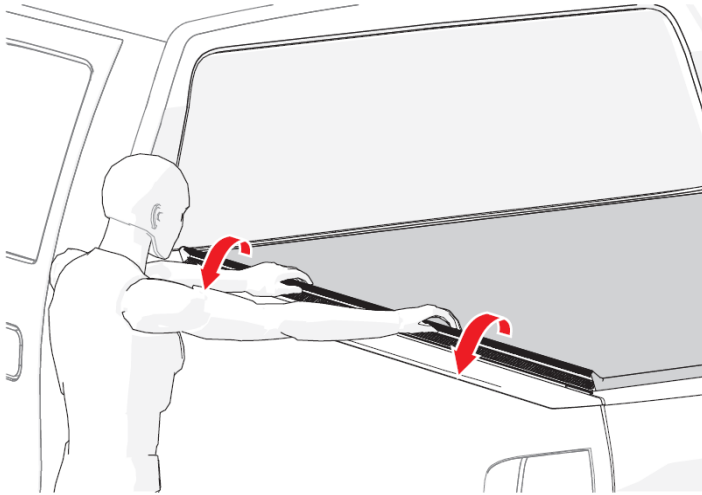
**14** Place the rear header into the header stops which are located on both side rails. Rotate the rear header downwards until you feel the cover latch in place. A clicking sound will indicate a correctly installed cover.



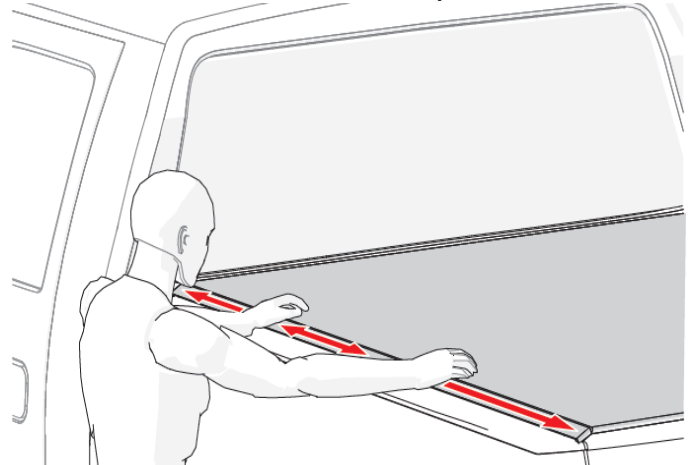
**Preferred method of closure:** Close tailgate, then close cover on top of the tailgate. This method will not work with some truck applications. Use the alternative method instead.

**Alternative method of closure:** Close and latch the cover, then close the tailgate with the seal inside the tailgate. It will take a little time to train the seal to close on the inside.

**15** Once the cover is closed, grab the fabric flap and evenly pull it over the hook track engaging the loop to the hook.



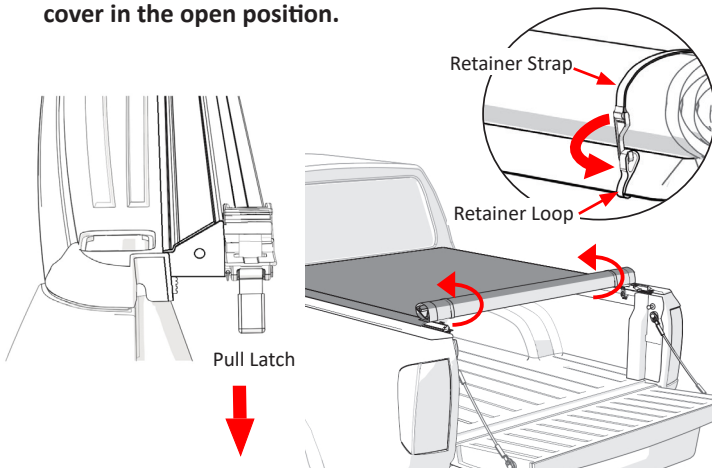
**16** With both sides of the hook and loop engaged, use the palms of your hand to firmly push the loop strip into the hook track. Do this to both driver and passenger sides. **You are ready to drive with the cover in the closed position.**



**HOOK AND LOOP MUST ALWAYS BE ADJUSTED AFTER ROLLING COVER CLOSED!**

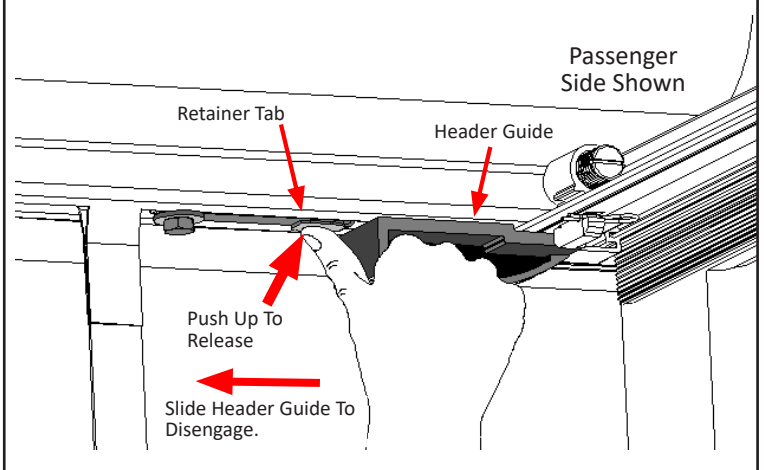
### OPENING THE COVER

**17** To drive with the cover in the open position, pull the latch towards you to release the cover (located on driver side rail). Roll the cover toward the cab of the truck, making sure that both sides roll evenly. Secure the cover by placing both retainer hooks into the retainer loops. **You are ready to drive with the cover in the open position.**



### REMOVING THE COVER

**18** To remove the cover from the side rails, push up on the retainer tab and then slide the header guide away from the side rail. Do this on both the driver and passenger side. Carefully lift the cover off the side rails.

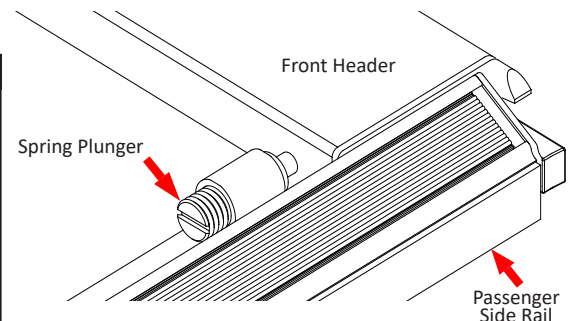
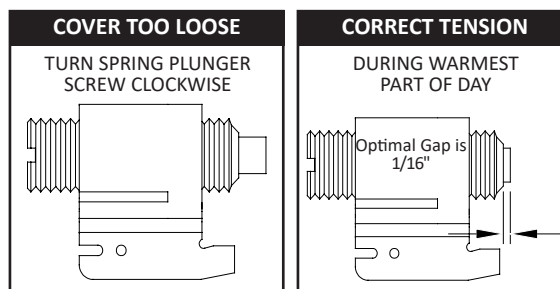


### AUTOMATIC TENSION CONTROL ADJUSTMENT

**19** The Lo Pro is equipped with Automatic Tension Control. This helps compensate for material expansion and contraction caused by extreme temperature changes. Proper tension allows the cover to look and perform at its best. While preset at the factory, you can check cover tension after installation as well as seasonally.

If the cover feels too tight or too loose when opening or closing it, adjust the tension during the warmest part of the day. With the cover closed, release the hook and loop fastener from both side rails near the cab. Check compression of both spring plungers against the front header per Detail C. Roll the cover open and make adjustments. Repeat until satisfactory tension has been achieved.

#### DETAIL C



**NOTE:** Adjust tension in small increments. Slight adjustments will gain significant results.

## WARRANTY DURATION

TruXedo®, Inc. ("TruXedo") offers a LIFETIME warranty on Lo Pro, Deuce and Pro X15. Warranty is limited to original purchaser of truck bed cover and is nontransferable. The warranty registration must be on file and/or proof of original purchase (detailed and dated receipt) required for warranty service.

## WARRANTY CONDITIONS

This warranty is against defective materials or workmanship. The warranty is void if the product has been damaged by accident, unreasonable use, neglect, improper service/installation/removal, modifications, normal wear and tear or other causes not arising out of defective materials or workmanship. Consequential and incidental damages are not covered under this warranty. TruXedo's obligation under this warranty is limited to repairing or at its option, replacing any part that is returned, transportation prepaid, to Yankton, South Dakota, if the product is, in our judgement, defective. All materials must be accompanied by an RMA (Returned Material Authorization) number requested by and authorized in advance of returning the materials. TruXedo shall not be liable or responsible to supply or pay labor to replace any part found defective, nor shall it be liable for any damages of any kind or nature to person, product, or property.

- Please register the warranty online at [truxedo.com](http://truxedo.com)
- Direct all warranty claims to TruXedo at **877-878-9336**
- For available installation videos, visit the TruXedo **YouTube** channel

### The Following Conditions will Void Warranty:

- **Wind Whip Damage** – The cover must be secured at all points when the vehicle is in motion. An unsecured cover will flap, resulting in damage to the vinyl fabric.
- **Improper Cleaning** – Never use silicone, petroleum, or citrus based products on the bed cover. The vinyl cover can be hand washed with mild soap and water or cleaned in a car wash. Thoroughly rinse the cover to remove any soap residue.
- **Overloading of cargo** – Cargo should not contact the tarp at any point. Protrusions in the tarp will stress the vinyl fabric. Cargo may also shift while traveling causing it to press against the vinyl fabric and damage it.

## OWNER/USER RESPONSIBILITIES

It is the responsibility of the owner/user to read this manual and comply with the operating procedures. The owner/user is also responsible for inspecting the TruXedo cover and for having parts repaired or replaced when worn or damaged. Failure to follow safety instructions and warning labels could result in failure of your cover system and/or personal injury.

## IMPORTANT OPERATING TIPS

- DO NOT roll cover into rear cab window. DO NOT stow against cab.
- After closing the cover, operator must secure hook and loop by running your hand down the driver and passenger side rails, pushing down on the cover material.
- If rails are tipping, clamps can be adjusted to level the side rails to ensure proper fit.
- For optimal fuel economy, it is recommended to operate the vehicle with the cover rolled closed and latched.
- The tonneau cover must be free of foreign material including snow and ice before rolling open or closed.

## SAFETY INSTRUCTIONS

- DO NOT place objects on or against cover or framework.
- DO NOT tie cargo to truck bed cover framework.
- DO NOT attempt to drive with the cover in the partially open position.
- DO NOT operate vehicle with objects on top of the cover.
- NEVER allow children or pets to occupy pickup box while cover is closed.
- Cover is not airtight. Special care is required to keep cargo clean and dry.
- Tonneau covers won't prevent theft of contents inside truck box.
- The cover assembly (tarp) must be rolled fully open and secured with retainer straps when towing vehicle backwards.
- If the cover is going to be rolled open for an extended amount of time, periodically re-roll the cover and secure the retainer straps to ensure the cover doesn't rest against the cab of the truck.
- A fully rolled cover in the open position must always be secured with retainer straps.
- The cover assembly (tarp) must be rolled fully open and secured with retainer straps when towing the vehicle backwards.

## TROUBLESHOOTING TIPS

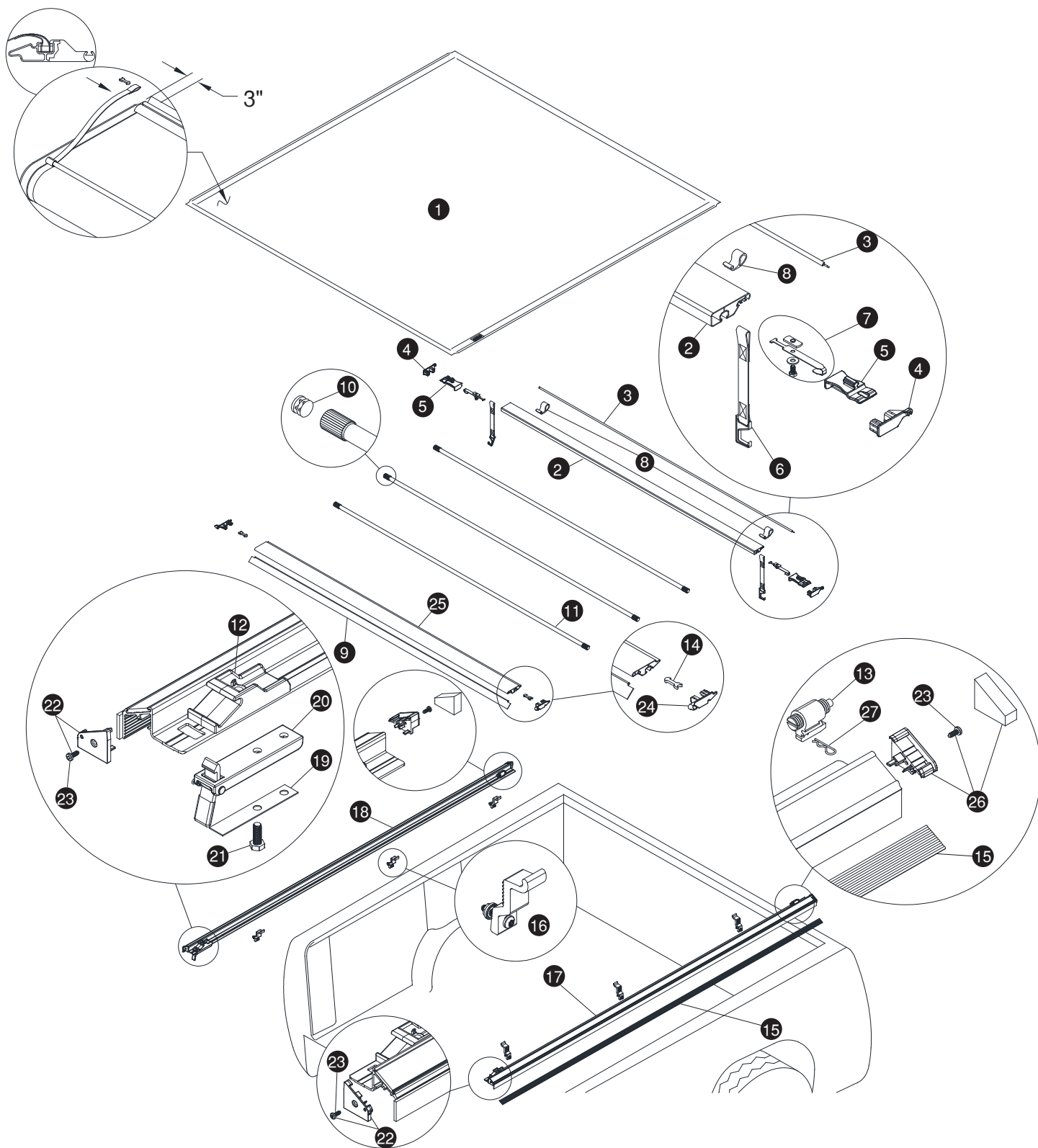
- **WRINKLES ON THE VINYL FABRIC AFTER ROLLING COVER CLOSED**  
Pull the vinyl fabric taut from each side. For best results, the help of a second person pulling on the opposite side is preferable
- **SAGGING VINYL FABRIC BETWEEN THE CROSS BOWS**  
Adjustment to automatic tension control may be required. See Step 19.
- **WIND LIFTS UP THE EDGE OF THE VINYL FABRIC**  
Make sure to engage hook and loop on driver and passenger side rails after closing the cover. This may need to be done periodically when taking long trips.
- **VINYL FABRIC FLUTTERS EXCESSIVELY WHEN DRIVING**
  - Check cover tension, refer to Step 19.
  - Make sure hook and loop fasteners are set. See Step 15 & 16.
- **SNOW AND ICE ACCUMULATION ON THE VINYL FABRIC**
  - Use broom or brush to remove loose snow and ice. DO NOT use sharp or pointed tools to remove snow and ice.
  - Direct sunlight will help melt snow and ice off the vinyl fabric.
- **TONNEAU COVER WILL NOT LATCH**
  - Check side rails to make sure they are level. See Step 8.
  - Make sure the header seal is not caught between side rails & header.
  - Check the position of side rails on the pickup box. They may be positioned too low. See Step 8.
  - Make sure the cover has proper tension. See Step 19.
- **VINYL FABRIC IS TOO TIGHT OR TOO LOOSE**  
See Step 17 to adjust tension.
- **VINYL FABRIC HAS SHIFTED TOO FAR TO ONE SIDE**  
Unlatch the cover at the tailgate, release the hook and loop along both sides, go to the shorter side of the tarp and tug. The vinyl fabric will slide in the aluminum headers. Pull on the shorter side until the tarp appears centered on the whole system. Latch cover and secure the hook and loop down both sides. Repeat if more adjustment is needed.

## COVER CARE AND MAINTENANCE

- Never use silicone, petroleum, or citrus based products on the bed cover. The vinyl cover can be hand washed with mild soap and water or cleaned in a car wash. Thoroughly rinse the cover to remove any soap residue. The cover can be treated with any vinyl protectant specifically made for tonneau covers.
- It is recommended that you periodically check that the cover is securely attached to your truck bed. Inspect the clamps and front header guide slides to ensure they were properly installed and have not come loose during operation.
- It is recommended that you periodically inspect and service the rear latch closure. Clean away any excess dirt or grime.
- Covers that are used frequently or are subject to vibrations and impacts from rough roadways may require adjustment.

## FAQ

- **WHY IS THERE A HOLE PUNCHED AT THE REAR OF THE PASSENGER SIDE RAIL OF THE TRUXEDO LO PRO, DEUCE AND PRO X15 BUT NO LATCH?**  
All side rails are punched identically to keep them uniform, to ensure manufacturing efficiency and to reduce tooling costs. By doing this, TruXedo can build and ship more covers while maintaining competitively priced products of the highest quality.
- **WHY IS MY COVER HOLDING WATER AFTER IT RAINS?**  
Water pooling on the cover is normal because our cross bows are not arched. Since they are designed to sit flat some water may accumulate on the top of the cover. Once you drive your truck, the water will shed from the cover. Make sure to retighten the hook and loop fasteners along the length of the bed.



### Replacement Parts

<p>1 * Replacement Cover</p> <p>2 * Black Front Header</p> <p>3 * Header Seal Front</p> <p>4 1118915 Front Header End Plugs (Set of Two)</p> <p>5 1704707 Header Guide</p> <p>6 * Retainer Strap</p> <p>7 1117594 Header Guide Retainer Assembly</p> <p>8 * Extruded Retainer Loop</p> <p>9 * Header Seal Rear</p> <p>10 1705052 End Plug, 1" OD</p>	<p>11 * Aluminum Cross Tubes</p> <p>12 1704187 Header Stop</p> <p>13 1115356 Tension Control Housing &amp; Spring Tension</p> <p>14 1115354 Header Insert Retainer Clip</p> <p>15 * Hook and Loop Fasteners</p> <p>16 1707132 Aluminum Clamp Single (1)</p> <p>1118939 Clamp Fastener Pack (6)</p>	<p>17 * Rail, Passenger's Side</p> <p>18 * Rail, Driver's Side</p> <p>19 1705727 Flat Spring, 5/8" x 3 7/8"</p> <p>20 1704213 Latch Assembled</p> <p>21 1702926 Cap Screw, 5/16" x 7/8"</p> <p>22 1118951 Rear Side Rail End Plugs (Set of Two)</p> <p>23 1706547 Square Head Screw (#1 Drive)</p> <p>24 1117467 Rear Header End Plugs (Set of Two)</p> <p>25 * Black Rear Header</p> <p>26 1118950 Front Rail End Plugs (Set of Two)</p> <p>27 1703332 Pin, Hitch_1/16" Dia. x 1-5/16" Long</p>
--	--	--

\* Please specify length or make and model of vehicle.