



Safety glasses should be worn at all times while installing this product.

YEARS: 2017-PRESENT

MAKE: TESLA

MODEL: MODEL 3

STYLE: SEDAN

WARNING: NEVER EXCEED YOUR VEHICLE MANUFACTURER'S RECOMMENDED TOWING CAPACITY
 For more information log onto www.curtmfg.com & for helpful towing tips log onto www.hitchinfo.com

WEIGHT CARRYING:
 TRAILER WEIGHT: 2,000 LBS.
 TONGUE WEIGHT: 200 LBS.

WARNING:
 ALL NON-TRAILER (WHEEL-LESS) LOADS APPLIED TO THIS PRODUCT MUST BE SUPPORTED BY 18050 STABILIZING STRAPS. PLEASE SEE THE CURT CATALOG OR VISIT US ONLINE AT WWW.CURTMFG.COM FOR FURTHER INFORMATION.

PRO INSTALL TIME: 90 MIN.
NOVICE INSTALL TIME: 180 MIN.

IF YOU ARE HESITANT TO UNDERTAKE THIS TASK ON YOUR OWN, CONTACT AN AUTHORIZED CURT INSTALLER FOR ADDITIONAL ASSISTANCE.

INSTALLATION TIPS:

- BEFORE YOU BEGIN INSTALLATION, READ ALL INSTRUCTIONS THOROUGHLY.
- TO EASE INSTALLATION, 2 PEOPLE MAY BE REQUIRED.
- USING PROPER TOOLS WILL GREATLY IMPROVE THE QUALITY OF THE INSTALL AND REDUCE THE TIME REQUIRED.
- NEED HELP OR HAVE SOME QUESTIONS? CALL TECHNICAL SUPPORT AT 877.287.8634

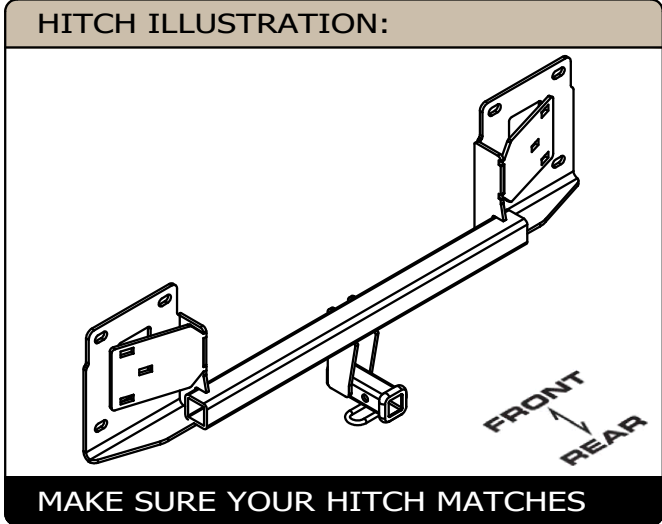


INSTALLATION REQUIRES:

RATCHET	8" SOCKET EXTENSION	TORQUE WRENCH
3/4" 8mm 10mm 15mm 17mm SOCKETS	PRY BAR	AVIATION SHEARS
SAFETY GLASSES		

LEVEL OF DIFFICULTY: CHALLENGING

EASY	MODERATE	CHALLENGING
TRIM	UNDERPANEL TRIM REQUIRED	
PART REMOVAL	TEMPORARY PART REMOVAL	
NO DRILLING	NO DRILLING REQUIRED	



SCAN FOR MORE INFO

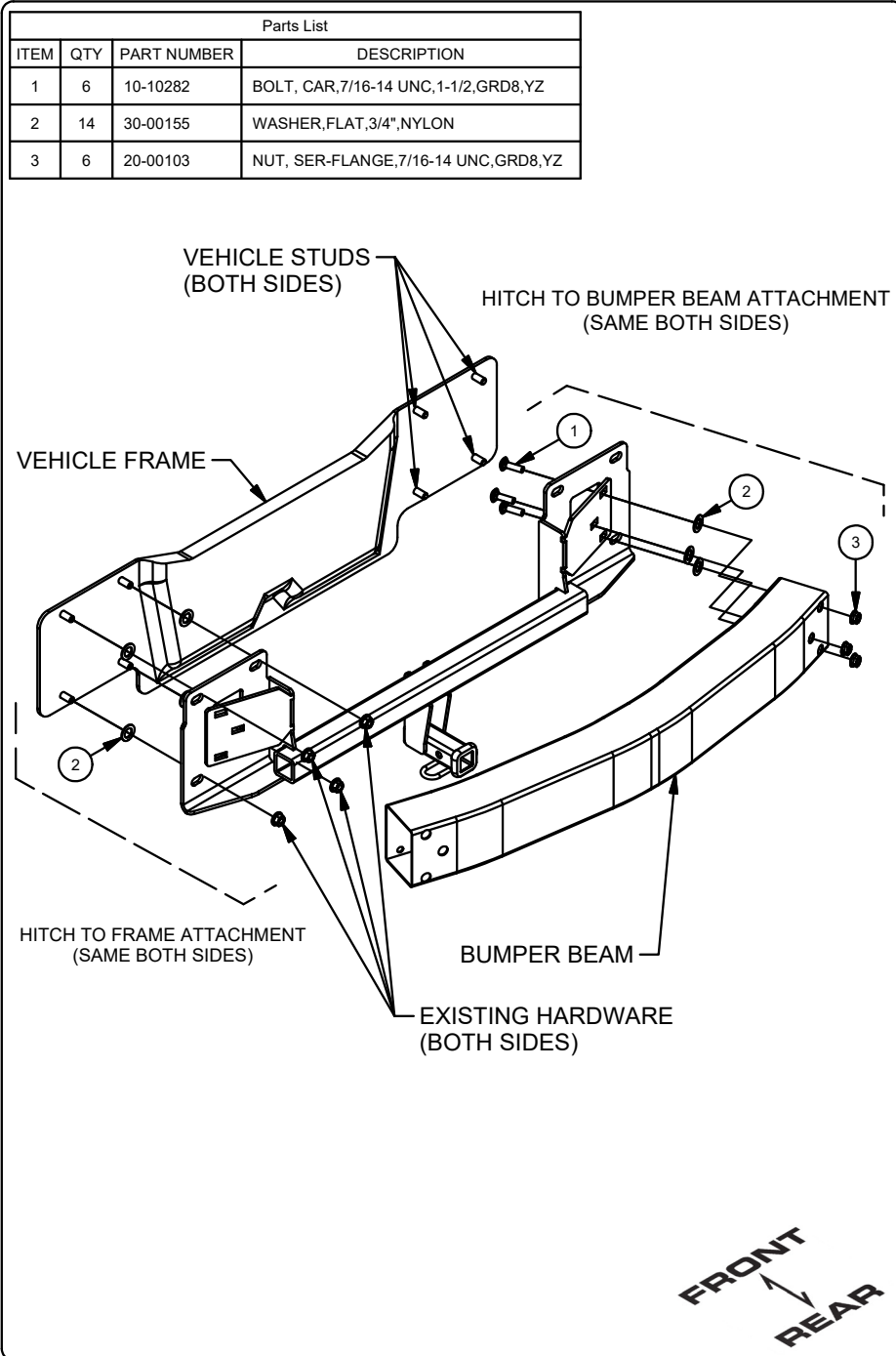
PERIODICALLY CHECK THIS RECEIVER HITCH TO ENSURE ALL FASTENERS ARE TIGHT AND ALL STRUCTURAL COMPONENTS ARE SOUND

CURT Manufacturing LLC. warrants this product to be free of defects in material and/or workmanship at the time of retail purchase by the original purchaser. If the product is found to be defective, CURT Manufacturing LLC. may repair or replace the product at their option, when the product is returned, prepaid, with proof of purchase. Alteration to, misuse of, or improper installation of this product voids the warranty. CURT Manufacturing LLC.'s liability is limited to repair or replacement of products found to be defective, and specifically excludes liability for incidental or consequential loss or damage.

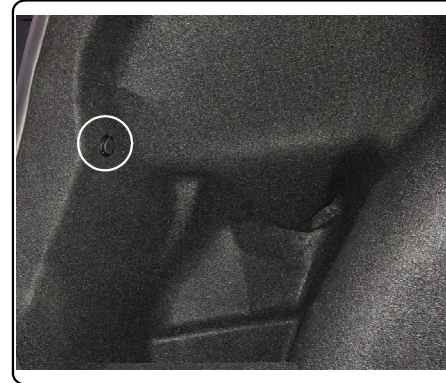
For more information log onto www.curtmfg.com

This product complies with safety specifications and requirements for connecting devices and towing systems of the state of New York, V.E.S.C.Regulation V-5 and SAE J684.

INSTALLATION WALKTHROUGH:



1. Inside trunk locate and remove one plastic rivet and gently remove trunk liner to access rear taillights. On top of taillight locate and remove (2) plastic trunk stops, one on each side.



2. To remove taillight locate and remove (2) nuts, on each side, using 8mm socket. Unplug electrical harness and gently remove taillight. Set aside taillight for reinstallation. Remove exposed fascia screw using 10mm socket, on each side.



INSTALLATION WALKTHROUGH:

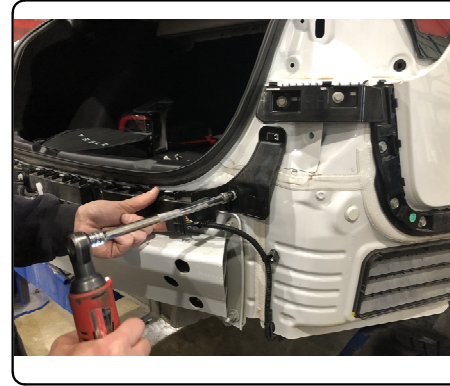
3. To remove rear fascia locate and remove (6) plastic rivets along wheel well, (3) on each side. To remove underbody panel locate and remove (7) fasteners using 10mm socket, and (1) plastic rivet. Set aside for reinstallation.



4. Gently remove rear fascia starting from the outside and releasing press-in tabs along the top portion of fascia. Unclip electrical harness and set aside rear fascia for reinstallation.



5. Locate and remove (5) fasteners from rear plastic trim using a 10mm socket. To remove bumper beam locate and remove (6) nuts, (3) on each side, using 15mm socket. Set aside hardware and bumper beam for reinstallation. To remove bumper beam plates remove (8) nuts, (4) on each side using 15mm socket. Return bumper beam plates to owner.

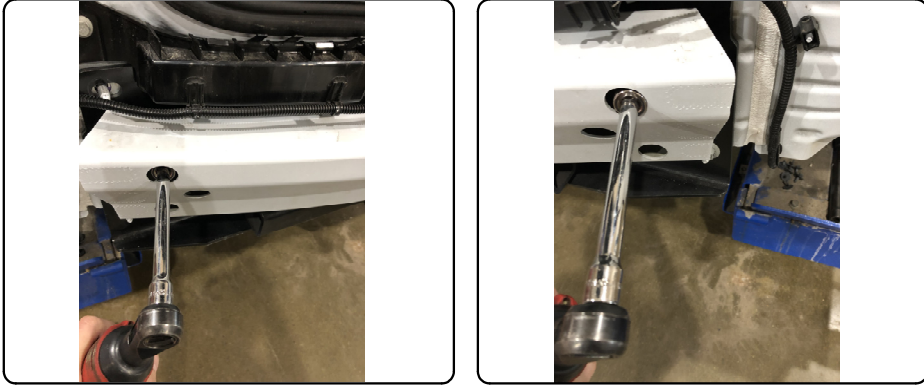


6. Use 7/16 hardware to assemble rear bumper and hitch. Raise assembly into position using vehicle studs to align on rear of vehicle. Use hardware removed in Step 5 to secure hitch to vehicle. Torque M10 hardware to 45 ft-lbs. **NOTE:** Use nylon washers to avoid hitch-vehicle contact.

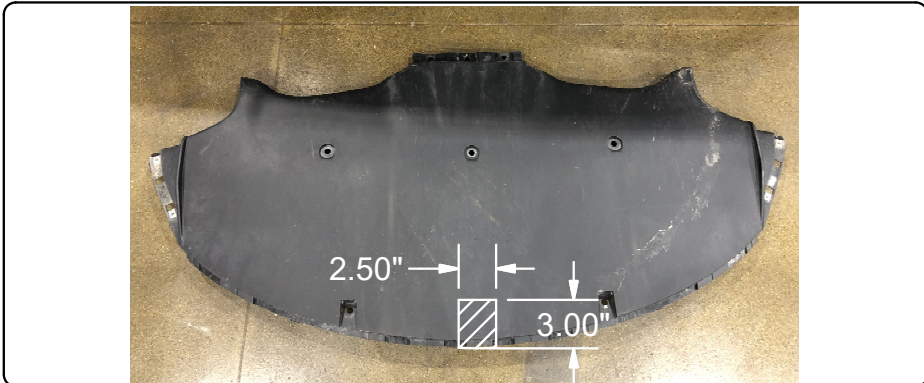


INSTALLATION WALKTHROUGH:

7. Torque 7/16 hardware to 60 ft-lbs.
NOTE: Use nylon washers to avoid hitch vehicle-contact.



8. Trim rear underbody panel using Trim Diagram as a reference.
NOTE: All dimensions are approximate, confirm fit prior to trim.



For more information log onto www.curtmfg.com

9. Reinstall underbody panel and rear fascia using Steps 1-5 in reverse order.



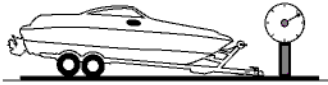
Installation Complete



TOWING SAFETY INFORMATION

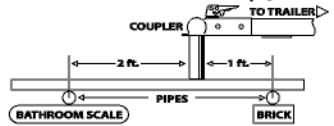
Gross Trailer Weight / GTW

The Gross Trailer Weight is the weight of the trailer & cargo. Measure this by putting the fully loaded trailer on a vehicle scale.



Tongue Weight / TW

The downward force that is exerted on the hitch ball by the coupler. The tongue weight will vary depending on where the load is positioned in relationship to the trailer axle(s). To measure the tongue weight, use either a commercial scale or a bathroom scale with the coupler at towing height. When using a bathroom scale with heavier tongue weights, use the method shown and multiply the scale reading by 3.



Weight Carrying / WC

The total weight of both the trailer and the cargo inside. Never exceed the weight capacity of your trailer hitch.

Weight Distribution / WD

Used to balance the weight of the cargo between the front and rear wheels throughout the trailer, allowing for better steering, braking, and level riding.



Sway Control

A device used to reduce the lateral movements of the trailer that are caused by the wind. This works in conjunction with a weight distribution hitch. Do not use this on a class 1 or 2 hitch, or with surge brakes.

How Much Can You Safely Tow?

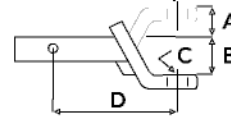
TONGUE WEIGHT (lb)	1000	2000	3000	4000	5000	6000	7000	8000	10,000	12,000
Tongue weight should be about 10 to 15 percent of the gross trailer weight.										
CLASS 1										
CLASS 2										
CLASS 3										
CLASS 4										
CLASS 5										
TRAILER TYPE										
Camper	11'	12'	13'	14'	15'	16'				
lbs.	1100	1200	1300	1400	1500	1600				
Vacation	18'	19'	20'	21'	22'	24'	26'	28'	30'	32'
lbs.	2100	2400	2700	3000	3300	3600	3900	4200	4500	4800
Vacation	18'	19'	20'	21'	22'	24'	26'	28'	30'	32'
lbs.	2800	3200	3600	4000	4400	4800	5200	5600	6000	6400
5th Wheel										

Refer to owner's manual for towing capabilities and limitations.

Ball Mount

The ball mount is placed inside the opening of the receiver hitch which is mounted to the vehicle. Make sure a hitch pin and clip is properly securing the ball mount to the receiver hitch before you begin towing.

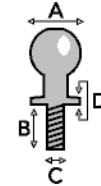
- A: Rise. B: Drop. C: Hole Size. D: Length.



Trailer Ball

The connection from the hitch to the trailer. There are many factors that determine the correct hitch ball:

- Number one is the hitch ball's gross trailer weight rating.
- The mounting platform must be at least 3/8" thick.
- The hole diameter must not be more than 1/16" larger than the threaded shank.
- Every time you tow, check the nut and lock washer to make sure they are fastened securely.
- A: Ball Dia. B: Shank Length. C: Shank Dia. D: Shank Rise.



Coupler

The component that is placed over the trailer ball to connect the vehicle to the trailer. Be sure that the coupler size matches the size of the hitch ball and that the coupler handle is securely fastened. To determine what size hitch ball you need for your application you will need to know the size of coupler that is on the trailer. Be sure your coupler is properly adjusted to the ball you are using.

NOTE: For added security the use of safety devices such as Coupler Safety Pins and Locks is strongly recommended.

Safety Chains

Safety chains are a requirement and should be crossed under the tongue of the trailer so that the tongue will not drop to the road if it becomes separated from the hitch. Always leave enough slack so you can turn. Never allow the safety chains to drag on the ground and never attach the chains to the bumper.

Trailer Classification: Safety Chain Breaking Force - Minimum

Class 1: 2,000 lbs. (8.9 kN)

Class 2: 3,500 lbs. (15.6 kN)

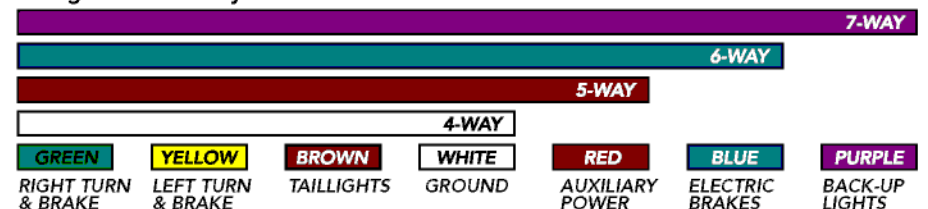
Class 3: 5,000 lbs. (22.2 kN)

The strength rating of each length of safety chain or its equivalent and its attachments shall be equal to or exceed in minimum breaking force the GVWR (Gross Vehicle Weight Rating) of the trailer.

Electrical

Trailer lights, Electric Brakes, Break-away systems - Every time you tow, be sure to check that all components are working properly.

Wiring identification by color:



CURT DISCLAIMER: WIRING COLOR SHOWN WORK IN CONJUNCTION WITH CURT MANUFACTURING PRODUCTS.

GROSS LOAD CAPACITY WHEN USED AS A WEIGHT CARRYING HITCH: 2,000 LBS. TRAILER WEIGHT & 200 LBS. TONGUE WEIGHT.

WARNING: ALL NON-TRAILER (WHEEL-LESS) LOADS APPLIED TO THIS PRODUCT MUST BE SUPPORTED BY 18050 STABILIZING STRAPS.



WARNING: ** FAILURE TO PROPERLY SUPPORT NON-TRAILER LOADS WILL VOID PRODUCT WARRANTY **

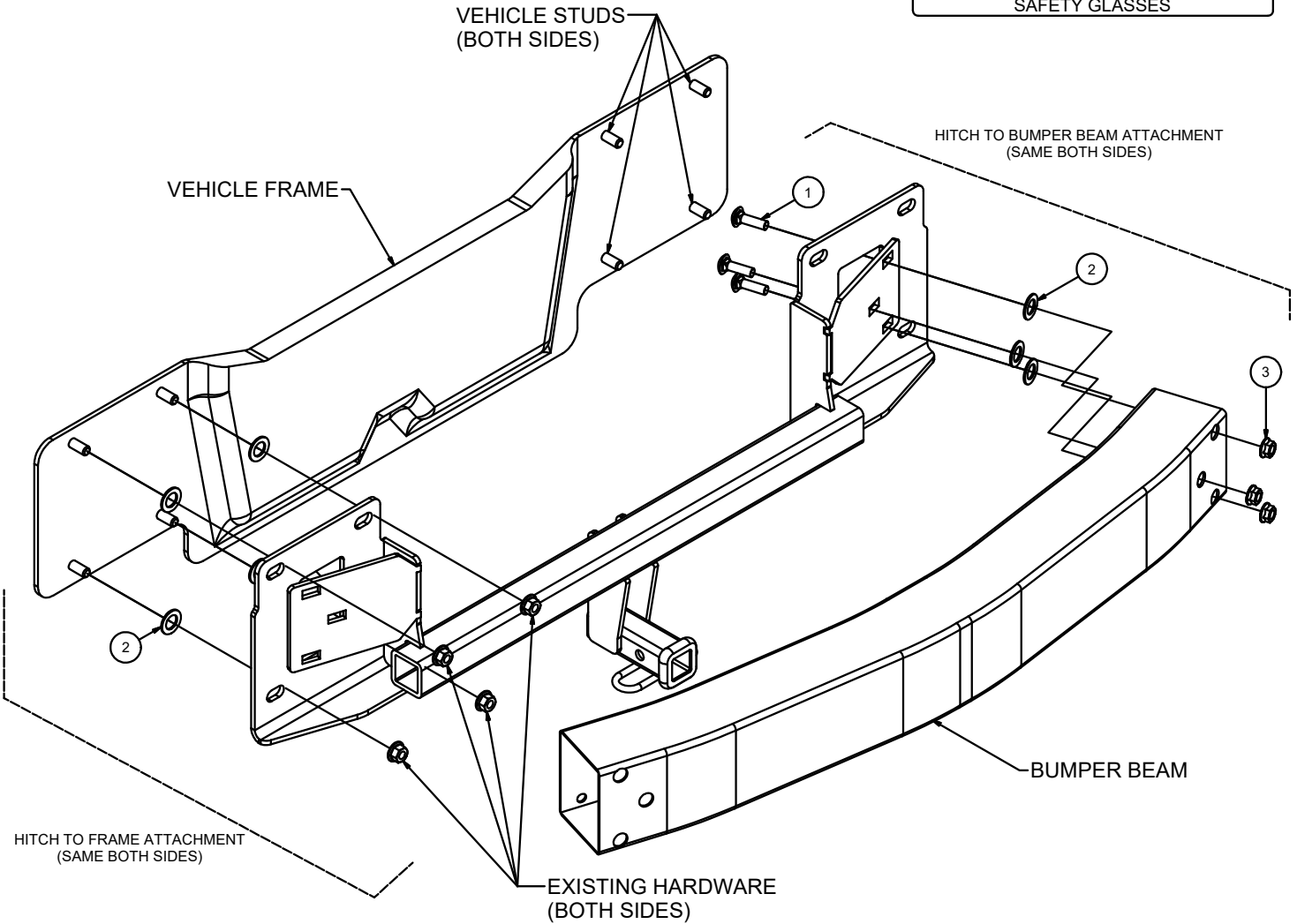
WARNING: * DO NOT EXCEED VEHICLE MANUFACTURER'S RECOMMENDED TOWING CAPACITY *****



FOR MORE INFORMATION LOG ON TO WWW.CURTMFG.COM
HAVING INSTALLATION QUESTIONS? CALL TECHNICAL SUPPORT AT 1-877-287-8634

Parts List			
ITEM	QTY	PART NUMBER	DESCRIPTION
1	6	10-10282	BOLT, CAR,7/16-14 UNC,1-1/2,GRD8,YZ
2	14	30-00155	WASHER,FLAT,3/4",NYLON
3	6	20-00103	NUT, SER-FLANGE,7/16-14 UNC,GRD8,YZ

TOOLS REQUIRED
RATCHET
8" SOCKET EXTENSION
TORQUE WRENCH
8mm, 10mm, 15mm, 17mm, 3/4" SOCKETS
PRY TOOL
AVIATION SHEARS
SAFETY GLASSES



HITCH WEIGHT: 44 LBS.

INSTALL TIME

PROFESSIONAL: 90 MINUTES

NOVICE (DIY): 180 MINUTES

INSTALL NOTES:

TRIMMING REQUIRED

TEMPORARY PART REMOVAL

NO DRILLING REQUIRED



PERIODICALLY CHECK THIS RECEIVER HITCH TO ENSURE THAT ALL FASTENERS ARE TIGHT AND THAT ALL STRUCTURAL COMPONENTS ARE SOUND.

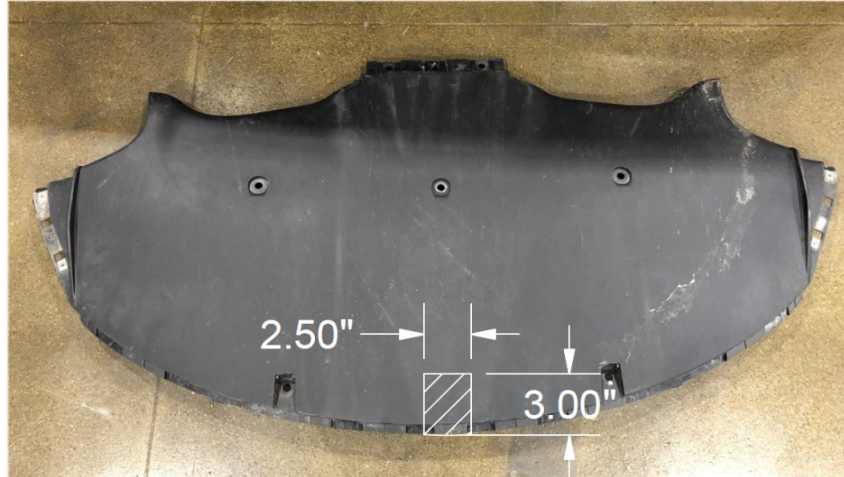


Scan for more information

CURT Manufacturing LLC., warrants this product to be free of defects in material and/or workmanship at the time of retail purchase by the original purchaser. If the product is found to be defective, CURT Manufacturing LLC., may repair or replace the product, at their option, when the product is returned, prepaid, with proof of purchase. Alteration to, misuse of, or improper installation of this product voids the warranty. CURT Manufacturing LLC.'s liability is limited to repair or replacement of products found to be defective, and specifically excludes liability for incidental or consequential loss or damage.

This product complies with safety specifications and requirements for connecting devices and towing systems of the state of New York, V.E.S.C.Regulation V-5 and SAE J684.

HAVING INSTALLATION QUESTIONS? CALL TECHNICAL SUPPORT AT 1-877-287-8634



INSTALLATION STEPS

1. Inside trunk locate and remove one plastic rivet and gently remove trunk liner to access rear taillights. On top of taillight locate and remove (2) plastic trunk stops, one on each side.
2. To remove taillight locate and remove (2) nuts, on each side, using 8mm socket. Unplug electrical harness and gently remove taillight. Set aside taillight for reinstallation. Remove exposed fascia screw using 10mm socket, on each side.
3. To remove rear fascia locate and remove (6) plastic rivets along wheel well, (3) on each side. To remove underbody panel locate and remove (7) fasteners using 10mm socket, and (1) plastic rivet. Set aside for trim and reinstallation.
4. Gently remove rear fascia starting from the outside and releasing press-in tabs along the top portion of fascia. Unclip electrical harness and set aside rear fascia for reinstallation.
5. Locate and remove (5) fasteners from rear plastic trim using a 10mm socket. To remove bumper beam locate and remove (6) nuts, (3) on each side, using 15mm socket. Set aside hardware and bumper beam for reinstallation. To remove bumper beam plates remove (8) nuts, (4) on each side using 15mm socket. Return bumper beam plates to owner.
6. Use 7/16 hardware to assemble rear bumper and hitch. Raise assembly into position using vehicle studs to align on rear of vehicle. Use hardware removed in Step 5 to secure hitch to vehicle. Torque M10 hardware to 45 ft-lbs.
NOTE: Use nylon washers to avoid hitch-vehicle contact.
7. Torque 7/16 hardware to 60 ft-lbs.
NOTE: Use nylon washers to avoid hitch-vehicle contact.
8. Trim underbody panel using Trim Diagram as a reference.
NOTE: All dimensions are approximate, confirm fit prior to trim.
9. Reinstall underbody panel and rear fascia using Steps 1-5 in reverse order.

PERIODICALLY CHECK THIS RECEIVER HITCH TO ENSURE THAT ALL FASTENERS ARE TIGHT AND THAT ALL STRUCTURAL COMPONENTS ARE SOUND.

CURT Manufacturing LLC., warrants this product to be free of defects in material and/or workmanship at the time of retail purchase by the original purchaser. If the product is found to be defective, CURT Manufacturing LLC., may repair or replace the product, at their option, when the product is returned, prepaid, with proof of purchase. Alteration to, misuse of, or improper installation of this product voids the warranty. CURT Manufacturing LLC.'s liability is limited to repair or replacement of products found to be defective, and specifically excludes liability for incidental or consequential loss or damage.

This product complies with safety specifications and requirements for connecting devices and towing systems of the state of New York, V.E.S.C.Regulation V-5 and SAE J684.