

INSTALLATION MANUAL

11663

Level of Difficulty

Moderate

Installation difficulty levels are based on time and effort involved and may vary depending on the installer level of expertise, condition of the vehicle and proper tools and equipment.

Weight Carrying Capacity

Gross trailer weight (GTW)	2,000 lbs.
Tongue weight (TW)	200 lbs.

Parts List

Item	Qty	Description
1	4	Carriage bolt, 1/2"
2	4	Serrated-flange nut, 1/2"
3	4	Square hole spacer, 1/4" x 1" x 3"
4	4	Fishwire, 1/2"

Tools Required

Ratchet	Aviation shears
Torque wrench	Die grinder
Socket, 3/4"	Safety glasses
Socket, 10mm	--

* For a tools reference guide visit curtmfg.com/trailer-hitch-installation

⚠ WARNING

Never exceed the vehicle manufacturer's recommended towing capacity.

Product Photo



NOTICE

Visit www.curtmfg.com for a full-color copy of this instruction manual, as well as helpful videos, guides and much more!

Before you begin installation, read all instructions thoroughly.

Proper tools will improve the quality of installation and reduce the time required.

This installation requires:

- Removal of exhaust hangers
- Trimming of heat shield

Periodic inspection of the trailer hitch should be performed to ensure all mounting hardware remains tight and structural components are secure.

To help prevent damage to the product or vehicle, refer to the specified torque specifications when securing hardware during the installation process.

SAFETY INSTRUCTIONS

Safety glasses should be worn at all times while installing this product.

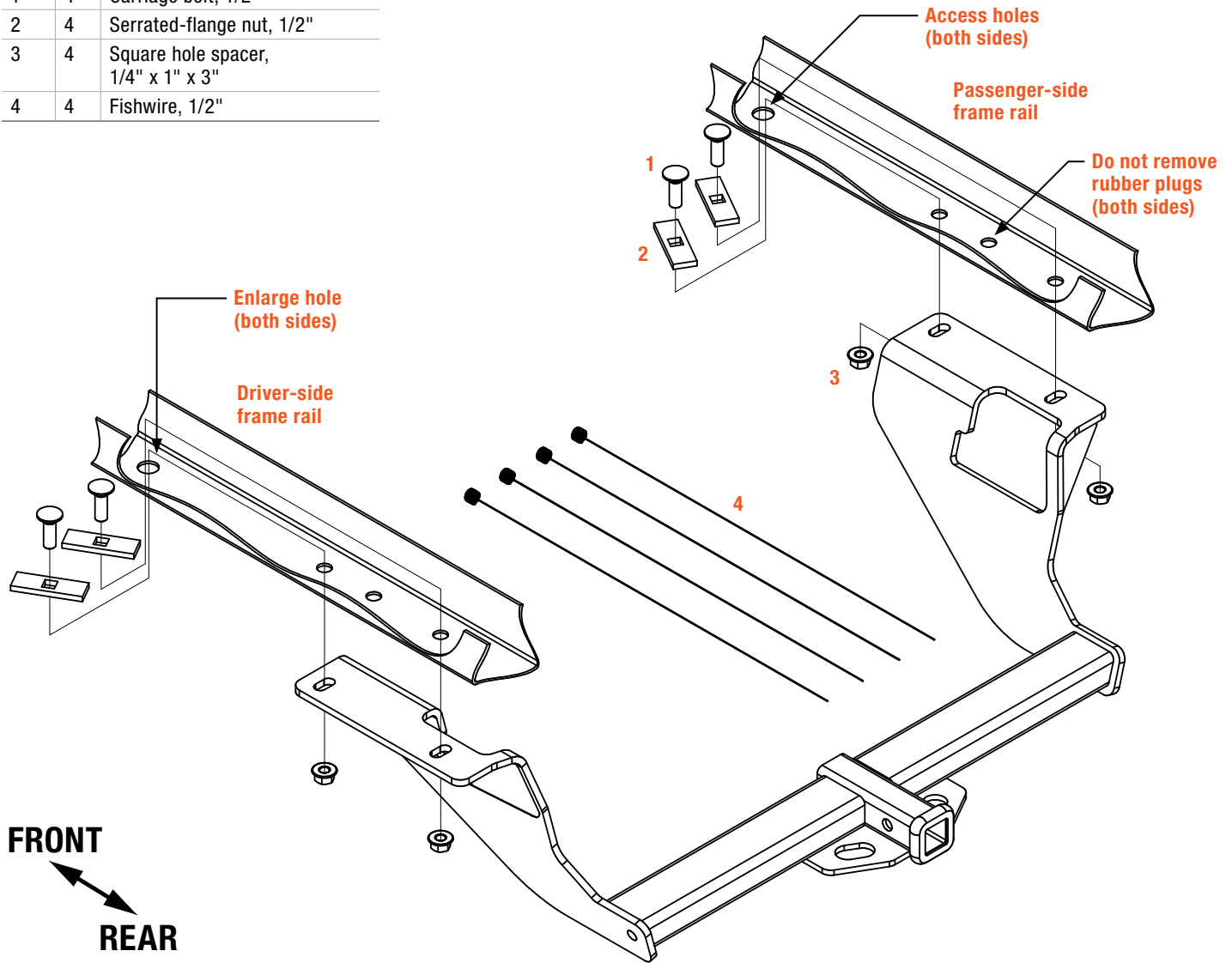
Product Registration and Warranty

CURT stands behind our products with industry-leading warranties. To get copies of the product warranties, register your purchase or provide feedback, visit: curtmfg.com/registration

ASSEMBLY

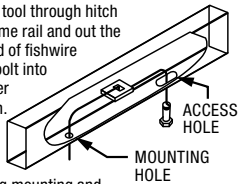
Parts List

Item	Qty	Description
1	4	Carriage bolt, 1/2"
2	4	Serrated-flange nut, 1/2"
3	4	Square hole spacer, 1/4" x 1" x 3"
4	4	Fishwire, 1/2"

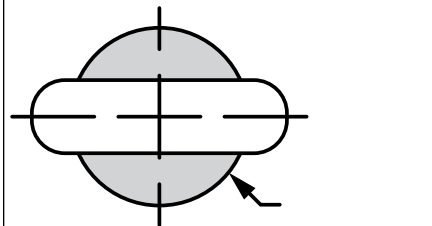


FISHWIRE TECHNIQUE

Insert coiled end of fishwire tool through hitch mounting hole in vehicle frame rail and out the access hole. Pass coiled end of fishwire through spacer and thread bolt into coil. Kink wire to keep spacer separate from bolt as shown. Pull fishwire, spacer and bolt through frame and out mounting hole. Use fishwire to guide hitch during mounting and prevent loss of bolt or spacer inside frame rail.



HOLE ENLARGEMENT



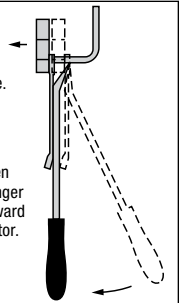
RUBBER ISOLATOR REMOVAL DIAGRAM

This technique can be used if exhaust hanger removal pliers are not available.

Using a 5/8" open end wrench, slide the wrench up to the rubber isolator, cradling the hanger rod as shown.

Place the flat edge of a pry bar between the wrench and the hanger stop or hanger rod. Then simply rotate the pry bar toward the wrench to remove the rubber isolator.

Note: Using a lubricant or soapy water on the hanger rod and the rubber isolator helps removal.



Step 1

Lower the exhaust by removing the five rear rubber isolators. See rubber isolator removal diagram.

If needed to access outside hangers, remove plastic underbody panels by removing plastic fittings (seven per side).

Note: Support the exhaust as required.



Step 2

Remove the heat shield by removing the four small screws with a 10mm socket. Cut a hole in the heat shield as shown in the diagram to the right.



Step 3

Remove the six rubber plugs from the frame (one large and two small, from each frame rail). Enlarge the access hole on both sides to allow the 1/2" fasteners to pass into the frame rail.



Step 4

Fishwire the 1/2" hardware through the access hole into position on both sides, as shown. Reinstall the heat shield with three of the fasteners, leaving out the one between the mounting holes.



Step 5

Raise the hitch into position.

Note: The heat shield will be sandwiched between the hitch and vehicle frame rails.



Step 6

Torque all 1/2" fasteners to 110 ft-lbs.

Reinstall the exhaust and underbody panels onto the vehicle.



Final Installed Image



TOWING BASICS & SAFETY INFORMATION

For information on safely towing your trailer, visit curtmfg.com/understanding-towing.