

# INSTALLATION MANUAL

# 11675

## Level of Difficulty

Easy

Installation difficulty levels are based on time and effort involved and may vary depending on the installer level of expertise, condition of the vehicle and proper tools and equipment.

## Weight Carrying Capacity

Gross trailer weight (GTW)	2,000 lbs.
Tongue weight (TW)	200 lbs.

## Parts List

Item	Qty	Description
1	2	Carriage bolt, 7/16"-14 x 1-1/2"
2	2	Carriage bolt, 1/2"-13 x 1-1/2"
3	2	Serrated-flange nut, 1/2"-13
4	2	Serrated-flange nut, 7/16"-14
5	2	Square-hole spacer, .250" x 1.00" x 3.00"
6	2	Square-hole spacer, .250" x 1.00" x 2.50"
7	2	Round-hole spacer, .250" x 1.00" x 2.00"

## Tools Required

Die grinder	Socket, 3/4"
Ratchet	Socket extension, 6"
Socket, 11/16"	Torque wrench
Fishwire, 7/16" (includes 2 qty)	Fishwire, 1/2" (includes 2 qty)

\* For a tools reference guide visit [curtmfg.com/trailer-hitch-installation](http://curtmfg.com/trailer-hitch-installation)

## ⚠ WARNING

Never exceed the vehicle manufacturer's recommended towing capacity.

## Product Photo



## NOTICE

Visit [www.curtmfg.com](http://www.curtmfg.com) for a full-color copy of this instruction manual, as well as helpful videos, guides and much more!

Before you begin installation, read all instructions thoroughly.

Proper tools will improve the quality of installation and reduce the time required.

This installation:

- May require access hole enlargement.

Periodic inspection of the trailer hitch should be performed to ensure all mounting hardware remains tight and structural components are secure.

To help prevent damage to the product or vehicle, refer to the specified torque specifications when securing hardware during the installation process.

## SAFETY INSTRUCTIONS

Safety glasses should be worn at all times while installing this product.

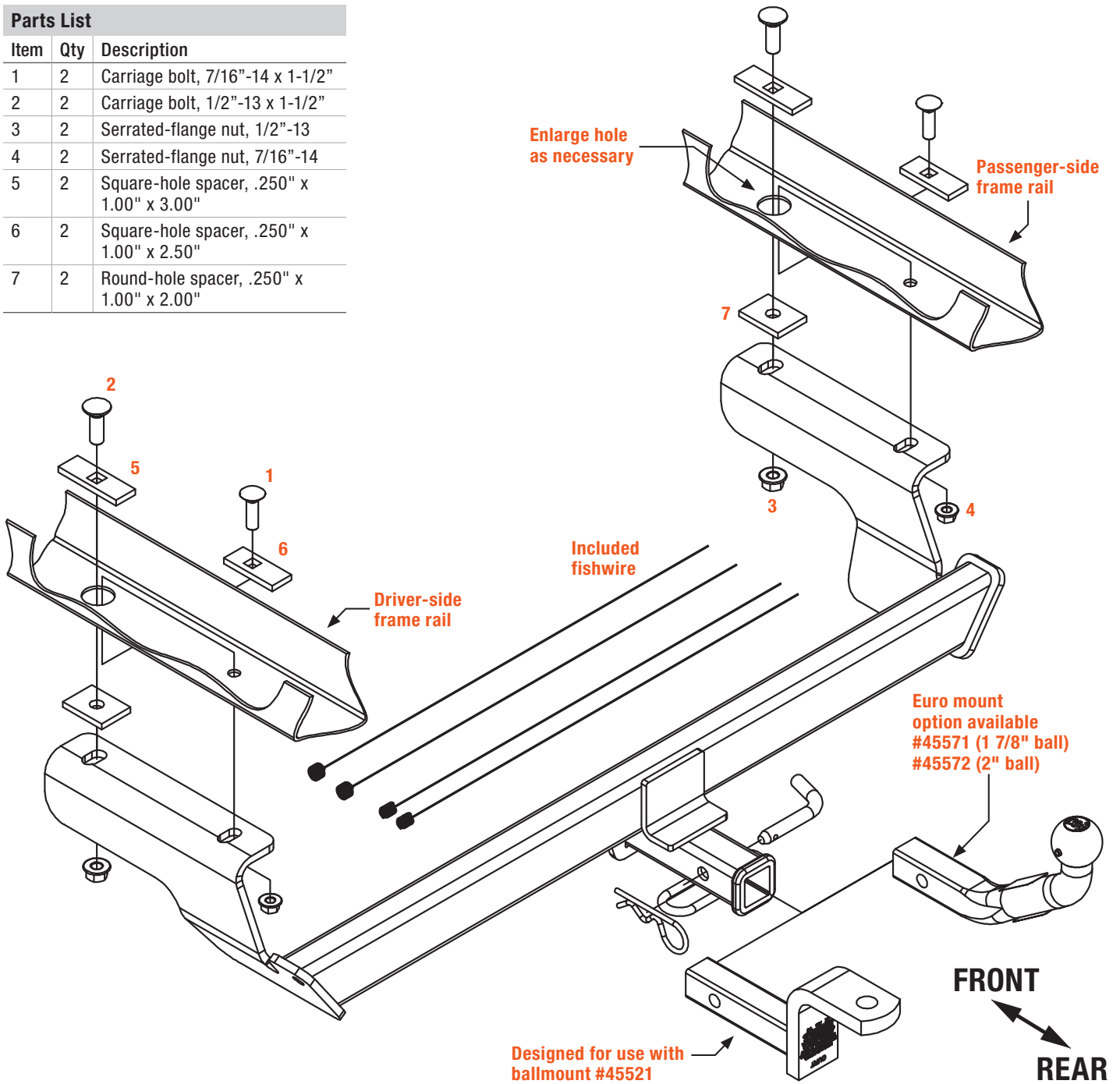
## Product Registration and Warranty

CURT stands behind our products with industry-leading warranties. To get copies of the product warranties, register your purchase or provide feedback, visit: [warranty.curtgroup.com/surveys](http://warranty.curtgroup.com/surveys)

# ASSEMBLY

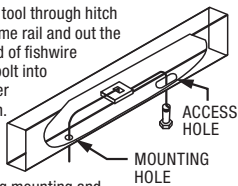
## Parts List

Item	Qty	Description
1	2	Carriage bolt, 7/16"-14 x 1-1/2"
2	2	Carriage bolt, 1/2"-13 x 1-1/2"
3	2	Serrated-flange nut, 1/2"-13
4	2	Serrated-flange nut, 7/16"-14
5	2	Square-hole spacer, .250" x 1.00" x 3.00"
6	2	Square-hole spacer, .250" x 1.00" x 2.50"
7	2	Round-hole spacer, .250" x 1.00" x 2.00"



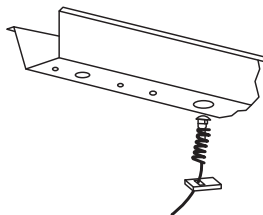
### FISHWIRE TECHNIQUE

Insert coiled end of fishwire tool through hitch mounting hole in vehicle frame rail and out the access hole. Pass coiled end of fishwire through spacer and thread bolt into coil. Kink wire to keep spacer separate from bolt as shown. Pull fishwire, spacer and bolt through frame and out mounting hole. Use fishwire to guide hitch during mounting and prevent loss of bolt or spacer inside frame rail.

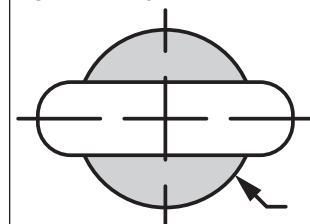


### REVERSE PULL FISHWIRE TECHNIQUE

Attach the fishwire to the carriage bolt and slide the spacer onto the fishwire. Push the bolt through the hole followed by the spacer, as shown. Pull the bolt back into position, protruding from the frame.



### HOLE ENLARGEMENT



### Step 1

Remove the four (4) plugs in the frame rails and return them to the vehicle owner.

**Note:** Leave the center plugs installed.



### Step 2

Fishwire the 7/16" carriage bolts (#1) and the 1.00" x 2.50" SP11 spacers (#6) into position first.

Reverse fishwire the 1/2" carriage bolts (#2) and 1.00" x 3.00" SP6 spacers (#5) into position afterward.

**Note:** Enlarge access hole as necessary using a die grinder.



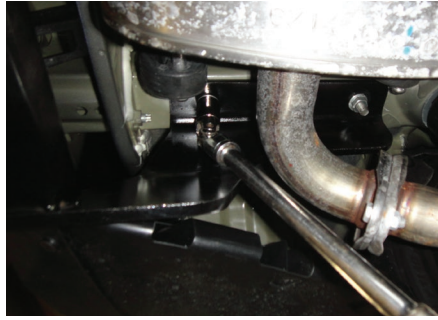
### Step 3

Raise the hitch to the frame feeding the fishwire through hitch mounting holes and align the mounting holes with the bolts.

Remove fishwires once bolts are in place.

Use 1.50" x 2.00" (#7) spacers to level the hitch as necessary.

Secure the 7/16" (#1) and 1/2" (#2) flange nuts on their respective bolts.

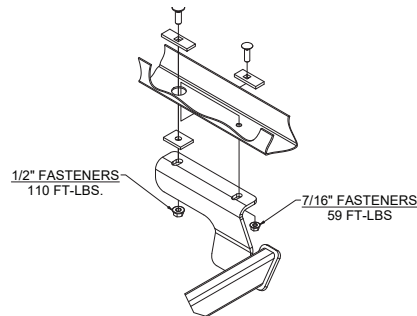


**Note:** Be careful not to push the hardware into the frame when removing the fishwire.

### Step 4

Using an 11/16" socket torque all 7/16" fasteners to 59 ft-lbs.

Using a 3/4" socket, torque all 1/2" fasteners to 110 ft-lbs.



### Final Installed Image



### TOWING BASICS & SAFETY INFORMATION

For information on safely towing your trailer, visit [curtmfg.com/understanding-towing](https://curtmfg.com/understanding-towing).