

13043

LEXUS GX 460

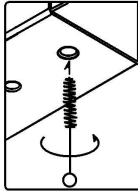
07/02/2020

GROSS LOAD CAPACITY WHEN USED AS A WEIGHT CARRYING HITCH: 5,000 LBS. TRAILER WEIGHT & 500 LBS. TONGUE WEIGHT.  
GROSS LOAD CAPACITY WHEN USED AS A WEIGHT DISTRIBUTION HITCH: 5,000 LBS. TRAILER WEIGHT & 500 LBS. TONGUE WEIGHT

\*\*\*DO NOT EXCEED VEHICLE MANUFACTURER'S RECOMMENDED TOWING CAPACITY.\*\*\*

HAVING INSTALLATION QUESTIONS? CALL TECHNICAL SUPPORT AT 1-877-287-8634

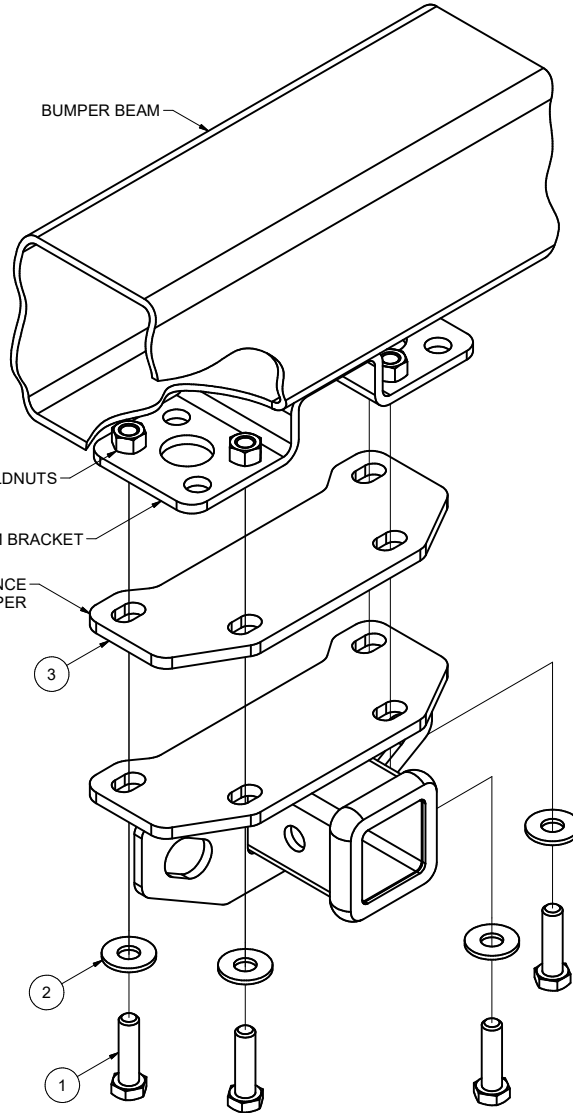
Parts List			
ITEM	QTY	PART NUMBER	DESCRIPTION
1	4	10-10331	HHCS,M12x1.25,45,CL10.9,YZ
2	4	30-00149	WASHER,S-CON,1/2,YZ
3	1	CM-13043-TP	TOP PLATE .313" A-36 H.R.



WELDNUT CLEANING

To remove debris from weldnuts in frame, spray lubricant or compressed air into hole. For heavy debris, use a small wire brush. (Be careful not to damage threads).

TOOLS REQUIRED
RATCHET
TORQUE WRENCH
6" EXTENSION
19mm SOCKET



USE AS NEEDED TO ALLOW CLEARANCE BETWEEN THE HITCH AND BUMPER

HITCH WEIGHT: 8 LBS.

INSTALL TIME

PROFESSIONAL: 15 MINUTES

NOVICE (DIY): 30 MINUTES

INSTALL NOTES:

- NO DRILLING REQUIRED

INSTALLATION STEPS

1. If needed, lower the spare tire and shift it towards the front of the vehicle and raise back up to create additional space for hitch installation.
2. Raise hitch against the bottom of the bumper bracket and align the holes with the weldnuts. If applicable, insert the provided top plate between the hitch and the bumper bracket and align the holes with the hitch holes and weld nuts.
3. Secure hitch in position using M12-1.25 x 45mm bolts and 1/2" conical toothed washers. (SEE WELDNUT CLEANING)
4. Torque all 12mm hardware to 86 ft-lbs.

**PERIODICALLY CHECK THIS RECEIVER HITCH TO ENSURE THAT ALL FASTENERS ARE TIGHT AND THAT ALL STRUCTURAL COMPONENTS ARE SOUND.**

Curt Manufacturing Inc., warrants this product to be free of defects in material and/or workmanship at the time of retail purchase by the original purchaser. If the product is found to be defective, Curt Manufacturing Inc., may repair or replace the product, at their option, when the product is returned, prepaid, with proof of purchase. Alteration to, misuse of, or improper installation of this product voids the warranty. Curt Manufacturing Inc.'s liability is limited to repair or replacement of products found to be defective, and specifically excludes liability for incidental or consequential loss or damage.