

INSTALLATION MANUAL

13487

Level of Difficulty

Easy

Installation difficulty levels are based on time and effort involved and may vary depending on the installer level of expertise, condition of the vehicle and proper tools and equipment.

Weight Carrying Capacity

Gross trailer weight (GTW) 3,500 lbs.

Tongue weight (TW) 525 lbs.

Parts List

Item	Qty	Description
1	6	Hex bolt, M12 - 1.25 x 40mm, CL 8.8
2	6	Conical-toothed washer, 1/2"

Tools Required

Ratchet	Socket, 19mm
Torque wrench	Exhaust removal tool

* For a tools reference guide visit curtmfg.com/trailer-hitch-installation

⚠ WARNING

Never exceed the vehicle manufacturer's recommended towing capacity.

Product Photo



NOTICE

Visit www.curtmfg.com for a full-color copy of this instruction manual, as well as helpful videos, guides and much more!

Before you begin installation, read all instructions thoroughly.

Proper tools will improve the quality of installation and reduce the time required.

This installation requires:

- Lowering of the exhaust

Periodic inspection of the trailer hitch should be performed to ensure all mounting hardware remains tight and structural components are secure.

To help prevent damage to the product or vehicle, refer to the specified torque specifications when securing hardware during the installation process.

SAFETY INSTRUCTIONS

Safety glasses should be worn at all times while installing this product.

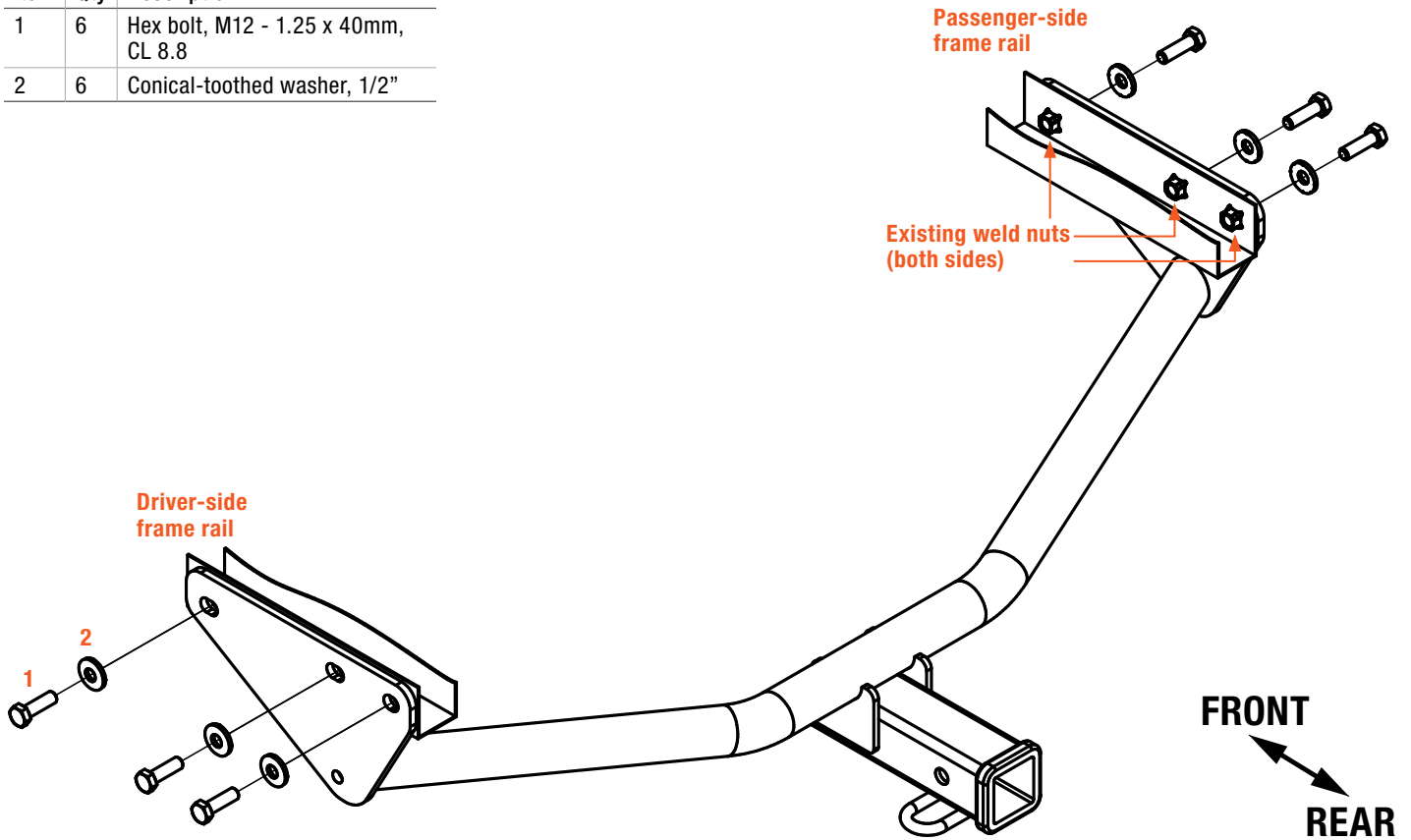
Product Registration and Warranty

CURT stands behind our products with industry-leading warranties. To get copies of the product warranties, register your purchase or provide feedback, visit: warranty.curtgroup.com/surveys

ASSEMBLY

Parts List

Item	Qty	Description
1	6	Hex bolt, M12 - 1.25 x 40mm, CL 8.8
2	6	Conical-toothed washer, 1/2"



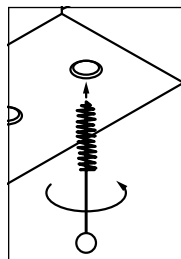
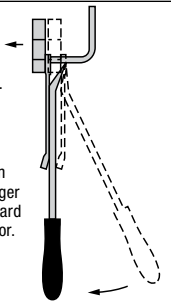
RUBBER ISOLATOR REMOVAL DIAGRAM

This technique can be used if exhaust hanger removal pliers are not available.

Using a 5/8" open end wrench, slide the wrench up to the rubber isolator, cradling the hanger rod as shown.

Place the flat edge of a pry bar between the wrench and the hanger stop or hanger rod. Then simply rotate the pry bar toward the wrench to remove the rubber isolator.

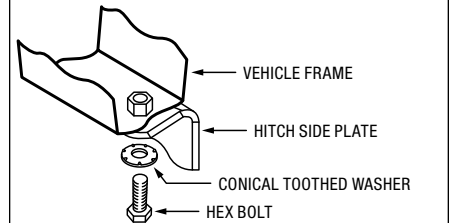
Note: Using a lubricant or soapy water on the hanger rod and the rubber isolator helps removal.



WELDNUT CLEANING

To remove debris from weldnuts in frame, spray lubricant or compressed air into the hole. For heavy debris, use a wire brush. Take care not to damage threads.

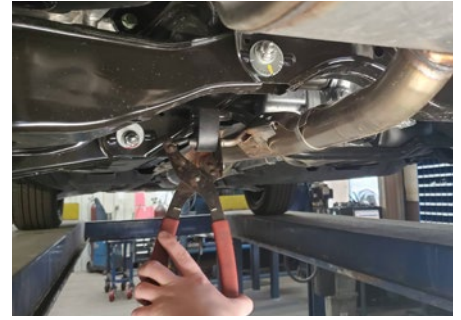
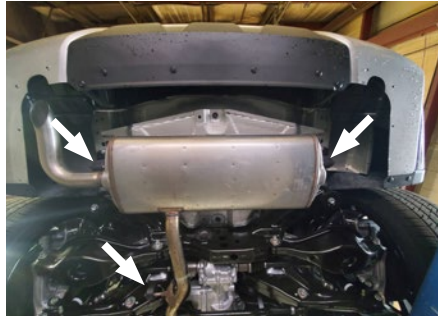
CONICAL TOOTHED WASHER ORIENTATION



Step 1

Lower the exhaust by removing the three rearmost rubber holders from the exhaust hangers. Use a stand to support the exhaust and prevent any damage.

The exhaust will be reinstalled in Step 2.



Step 2

Raise the trailer hitch into position by sliding the driver side of the hitch over the exhaust first. On both sides of the vehicle, align the three holes in the hitch with the three weld nuts in the frame rail.

Loosely install three hex bolts (#1) and three conical washers (#2) into the hitch holes and weld nuts on both sides.

Torque all M12 fasteners to 60 ft-lbs.

Reinstall exhaust removed in Step 1.



Final Installed Image



TOWING BASICS & SAFETY INFORMATION

For information on safely towing your trailer, visit curtmfg.com/understanding-towing.