

INSTALLATION MANUAL

13611

Level of Difficulty

Easy

Installation difficulty levels are based on time and effort involved and may vary depending on the installer level of expertise, condition of the vehicle and proper tools and equipment.

Weight Carrying Capacity

Gross trailer weight (GTW)	4,000 lbs.
Tongue weight (TW)	600 lbs.

Parts List

Item	Qty	Description
1	1	Trailer hitch

Tools Required

Ratchet	Flathead screwdriver
Torque wrench	Utility knife
Socket, 7mm	Gloves
Socket, 15mm	Safety glasses
Torx bit, T-5	Trim panel removal tool

* For a tools reference guide visit curtmfg.com/trailer-hitch-installation

Product Registration and Warranty

CURT stands behind our products with industry-leading warranties. To get copies of the product warranties, register your purchase or provide feedback, visit: warranty.curtgroup.com/surveys

⚠ WARNING

Never exceed the vehicle manufacturer's recommended towing capacity.

Product Photo



NOTICE

Visit www.curtmfg.com for a full-color copy of this instruction manual, as well as helpful videos, guides and much more!

Before you begin installation, read all instructions thoroughly.

Proper tools will improve the quality of installation and reduce the time required.

This installation requires:

- Wheel well trim removal
- Taillight removal
- Rear bumper fascia removal
- Bumper beam removal
- Trimming of the the rear bumper fascia
- Caulking around the fascia

Periodic inspection of the trailer hitch should be performed to ensure all mounting hardware remains tight and structural components are secure.

To help prevent damage to the product or vehicle, refer to the specified torque specifications when securing hardware during the installation process.

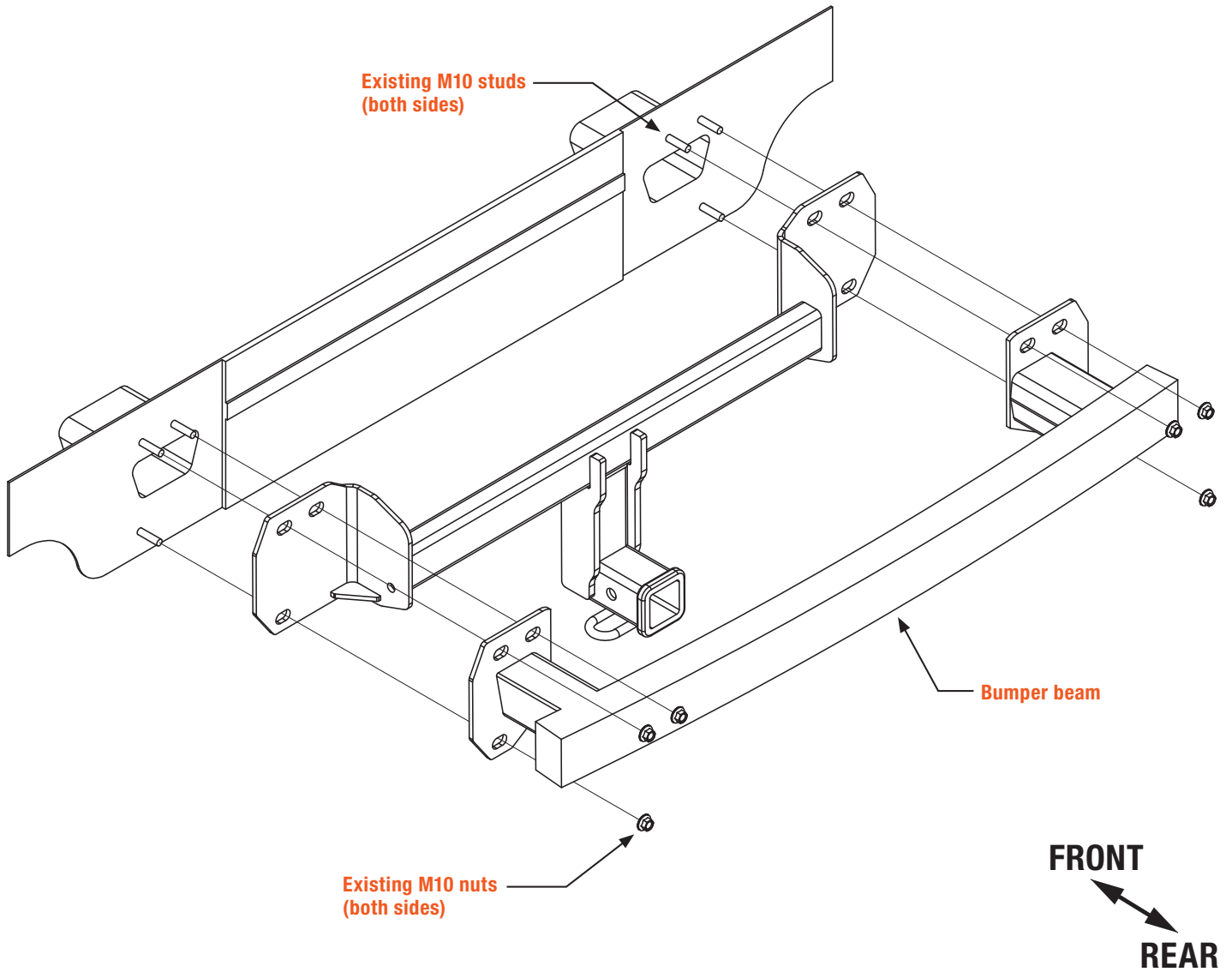
SAFETY INSTRUCTIONS

Safety glasses should be worn at all times while installing this product.

ASSEMBLY

Parts List

Item	Qty	Description
1	1	Trailer hitch



Step 1

Using a T-5 torx bit, remove the five (5) screws securing the wheel well liner to the fascia on both sides of the vehicle.



Step 2

Using an 8mm socket, remove the four (4) bolts from the bottom edge of the bumper fascia, two (2) per side. Do not remove the four (4) Torx screws from bottom edge of the fascia.



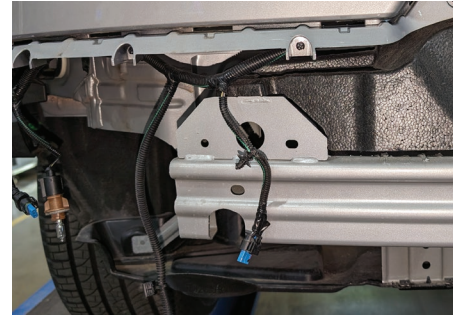
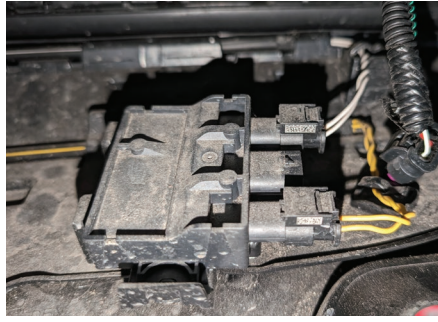
Step 3

Using the panel trim tool, remove the lower fascia from the upper fascia starting at the edge near the wheel well while gently pulling rearward to release the clips holding the fascia.



Step 4

Unhook the back up sensor wiring harness. Unplug the middle wiring plug from the hands free liftgate housing and remove the lights from their housing. Unclip the wiring harness from the fascia as needed and remove the fascia.



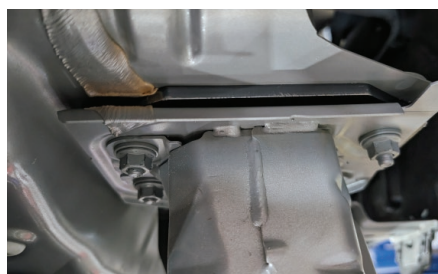
Step 5

Using a 15mm socket, remove the six (6) M10 flange nuts securing the bumper beam. Remove the bumper beam and set it aside.



Step 6

Install the hitch and bumper beam over the studs in the end panel. Loosely reinstall the six (6) existing M10 flange nuts onto the studs in the end panel. Tighten all M10 hex flange nuts with a torque wrench to 38 ft-lbs.



Step 7

Using a high-contrast marker or masking tape, mark an area in the lower fascia approximately 3-1/2" long as shown in the diagram.

Using a utility knife, trim the lower fascia.

Reinstall all electrical connectors, the rear bumper fascia, the taillights and all fasteners removed in steps 1-7.



Final Installed Image



TOWING BASICS & SAFETY INFORMATION

For information on safely towing your trailer, visit curtmfg.com/understanding-towing.