

**14011****1999-2005 FORD EXCURSION**

7/10/2020

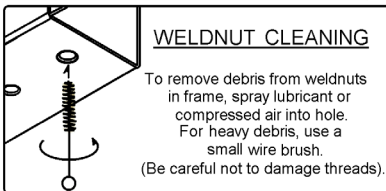
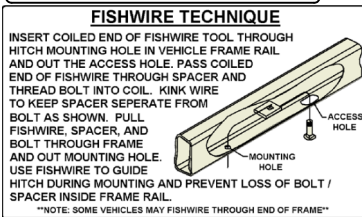
GROSS LOAD CAPACITY WHEN USED AS A WEIGHT CARRYING HITCH: 12,000 LBS. TRAILER WEIGHT & 1,200 LBS. TONGUE WEIGHT.  
 GROSS LOAD CAPACITY WHEN USED AS A WEIGHT DISTRIBUTION HITCH: 12,000 LBS. TRAILER WEIGHT & 1,200 LBS. TONGUE WEIGHT

**\*\*\* DO NOT EXCEED VEHICLE MANUFACTURER'S RECOMMENDED TOWING CAPACITY.\*\*\***

HAVING INSTALLATION QUESTIONS? CALL TECHNICAL SUPPORT AT 1-877-287-8634

ITEM		Parts List	
QTY	PART NUMBER	DESCRIPTION	
1	6	10-10503	HHCS,M18x2.5,50,CL10.9,YZ
2	2	10-10344	BOLT,CAR,5/8-11 UNC,2,GRD8,YZ
3	2	CM-SP9	.375 x 1.25 x 2.50" SQUARE HOLE SPACER
4	2	5_8 FISHWIRE	5/8" FISHWIRE
5	6	30-00152	WASHER,FLAT,3/4,YZ
6	6	30-00208	WASHER,LOCK,3/4,YZ
7	2	20-00105	NUT,SER-FLANGE,5/8-11 UNC,GRD8,YZ

TOOLS REQUIRED
SAFETY GLASSES
SPRAY LUBRICANT
RATCHET
12" SOCKET EXTENSION
24mm,18mm,3/4" SOCKETS
TORQUE WRENCH
WIRE BRUSH



HITCH WEIGHT: 53 LBS.

**INSTALL TIME**

PROFESSIONAL: 60 MINUTES

NOVICE (DIY): 120 MINUTES

**INSTALL NOTES:**

- FISHWIRE REQUIRED
- PART REMOVAL
- WELDNUT CLEANING

DRIVER SIDE FRAME RAIL

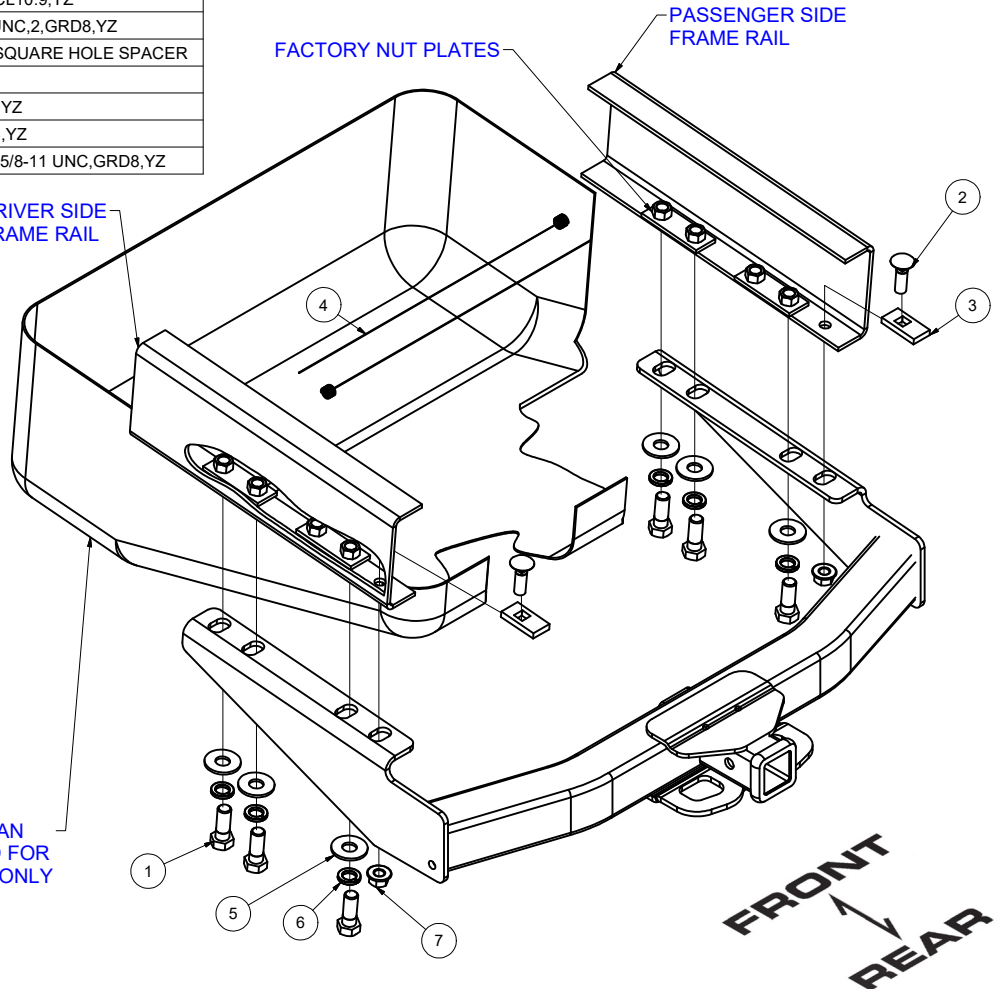
PASSENGER SIDE FRAME RAIL

FACTORY NUT PLATES

FRONT

REAR

TRUNK PAN TRIMMED FOR CLARITY ONLY

**INSTALLATION STEPS**

Notes : When removing and inserting the M18 bolts, It will be necessary to protect the fuel tank by temporarily inserting a protective steel plate between the open side of the frame and the tank.

Remove OEM hitch prior to CURT hitch install. OEM hitch is held on by (6) M18 bolts and (2) M18 shear bolts (location: 2nd most rearward bolt on OEM hitch, consider drilling the bolt with 1/2" drill, grinder or an air hammer).

1. Lower gas tank skid pan (do not remove bolts) by using a 18mm socket.

2. Move nut plates into location aligned with holes inside frame rail.

Clean frame rail and weldnuts as needed with brush and lubricant.

Fish wire the 5/8" bolt and CM-SP9 spacer into rearmost hole each side. ( See Fish wire Diagram)

3. Raise hitch into location and install (6) M18 bolts and (2) 5/8" nuts.

Torque M18 bolts to 201 ft-lbs

Torque 5/8" nuts to 165 ft-lbs

4. Raise gas tank skid pan by tightening the gas tank skid pan bolts with 18mm socket.



Scan for more information

**PERIODICALLY CHECK THIS RECEIVER HITCH TO ENSURE THAT ALL FASTENERS ARE TIGHT AND THAT ALL STRUCTURAL COMPONENTS ARE SOUND.**

CURT Manufacturing LLC., warrants this product to be free of defects in material and/or workmanship at the time of retail purchase by the original purchaser. If the product is found to be defective, CURT Manufacturing LLC., may repair or replace the product, at their option, when the product is returned, prepaid, with proof of purchase. Alteration to, misuse of, or improper installation of this product voids the warranty. CURT Manufacturing LLC.'s liability is limited to repair or replacement of products found to be defective, and specifically excludes liability for incidental or consequential loss or damage.

YEARS: 1999-2006

MAKE: FORD

MODEL: EXCURSION

STYLE: SUV

**WARNING: NEVER EXCEED YOUR VEHICLE MANUFACTURER'S RECOMMENDED TOWING CAPACITY**

**WEIGHT CARRYING:**  
 TRAILER WEIGHT: 12,000 LBS.  
 TONGUE WEIGHT: 1,200 LBS.

**WEIGHT DISTRIBUTION:**  
 TRAILER WEIGHT: 12,000 LBS.  
 TONGUE WEIGHT: 1,200 LBS.

**PRO INSTALL TIME: 60 MIN.**  
**NOVICE INSTALL TIME: 120 MIN.**

IF YOU ARE HESITANT TO UNDERTAKE THIS TASK ON YOUR OWN, CONTACT AN AUTHORIZED CURT INSTALLER FOR ADDITIONAL ASSISTANCE.

**INSTALLATION TIPS:**

- BEFORE YOU BEGIN INSTALLATION, READ ALL INSTRUCTIONS THOROUGHLY.
- TO EASE INSTALLATION, 2 PEOPLE MAY BE REQUIRED.
- USING PROPER TOOLS WILL GREATLY IMPROVE THE QUALITY OF THE INSTALL AND REDUCE THE TIME REQUIRED.
- NEED HELP OR HAVE SOME QUESTIONS? CALL TECHNICAL SUPPORT AT 877.287.8634

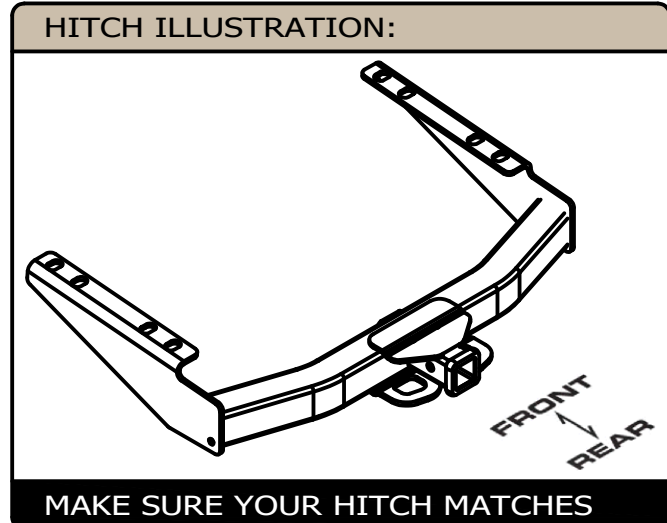


**INSTALLATION REQUIRES:**

<b>SAFETY GLASSES</b>	<b>SPRAY LUBRICANT</b>	<b>RATCHET</b>
<b>12" SOCKET EXTENSION</b>	<b>24mm 18mm 3/4" SOCKET</b>	<b>TORQUE WRENCH</b>
<b>WIRE PIPE BRUSH</b>		

**LEVEL OF DIFFICULTY: CHALLENGING**

EASY	MODERATE	CHALLENGING
		FISHWIRE REQUIRED
		WELDNUT CLEANING
		PART REMOVAL

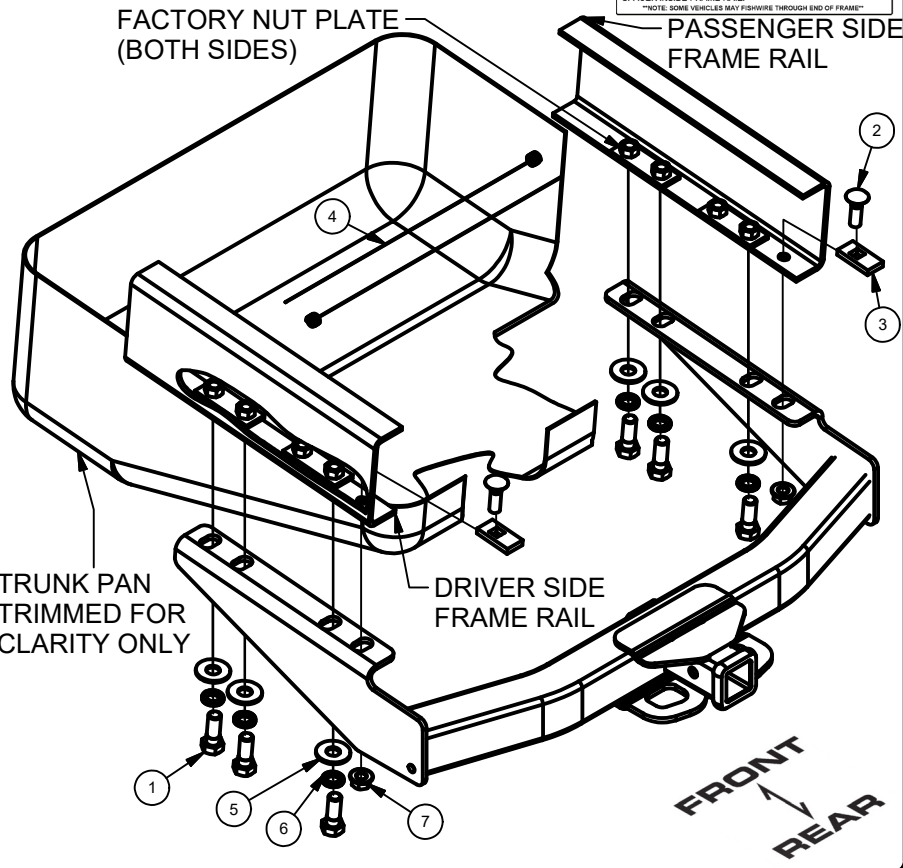
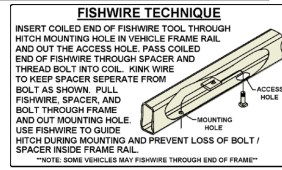


SCAN FOR MORE INFO

**PERIODICALLY CHECK THIS RECEIVER HITCH TO ENSURE ALL FASTENERS ARE TIGHT AND ALL STRUCTURAL COMPONENTS ARE SOUND**  
 CURT Manufacturing LLC. warrants this product to be free of defects in material and/or workmanship at the time of retail purchase by the original purchaser. If the product is found to be defective, CURT Manufacturing LLC. may repair or replace the product at their option, when the product is returned, prepaid, with proof of purchase. Alteration to, misuse of, or improper installation of this product voids the warranty. CURT Manufacturing LLC.'s liability is limited to repair or replacement of products found to be defective, and specifically excludes liability for incidental or consequential loss or damage. For more information log onto [www.curtmfg.com](http://www.curtmfg.com), & for helpful towing tips log onto [www.hitchinfo.com](http://www.hitchinfo.com)

# INSTALLATION WALKTHROUGH:

Parts List			
ITEM	QTY	PART NUMBER	DESCRIPTION
1	6	10-10503	HHCS,M18x2.5,50,CL10.9,YZ
2	2	10-10344	BOLT,CAR,5/8-11 UNC,2,GRD8,YZ
3	2	CM-SP9	.375 x 1.25 x 2.50" SQUARE HOLE SPACER
4	2	5_8 FISHWIRE	5/8" FISHWIRE
5	6	30-00152	WASHER,FLAT,3/4,YZ
6	6	30-00208	WASHER,LOCK,3/4,YZ
7	2	20-00105	NUT,SER-FLANGE,5/8-11 UNC,GRD8,YZ



Note: Remove OEM Hitch prior to CURT hitch install.

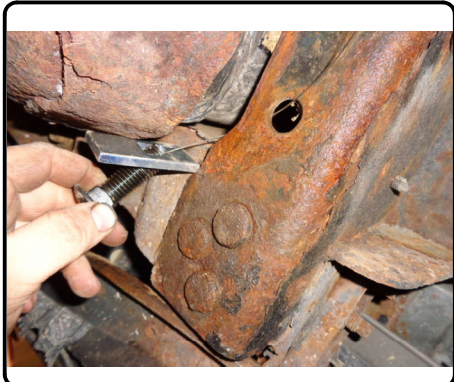
1. Lower gas tank skid pan (do not remove bolts) by using a 18mm socket.



2. Move nut plates into location aligned with holes inside frame rail.

Clean frame rail and weldnuts as needed with brush and lubricant.

Fish wire the 5/8" bolt and CM-SP9 spacer into rearmost hole each side. (See Fish wire Diagram)



## INSTALLATION WALKTHROUGH:

3. Raise hitch into location and install (6) M18 bolts and (2) 5/8" nuts.

Torque M18 bolts to 201 ft-lbs  
Torque 5/8" nuts to 165 ft-lbs



4. Raise gas tank pan by tightening the gas tank skid bolts with 18mm socket.



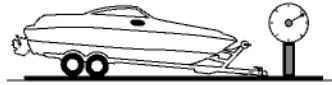
Installation Complete



## TOWING SAFETY INFORMATION

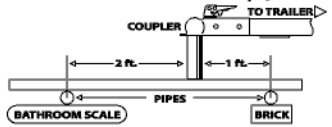
### Gross Trailer Weight / GTW

The Gross Trailer Weight is the weight of the trailer & cargo. Measure this by putting the fully loaded trailer on a vehicle scale.



### Tongue Weight / TW

The downward force that is exerted on the hitch ball by the coupler. The tongue weight will vary depending on where the load is positioned in relationship to the trailer axle(s). To measure the tongue weight, use either a commercial scale or a bathroom scale with the coupler at towing height. When using a bathroom scale with heavier tongue weights, use the method shown and multiply the scale reading by 3.



### Weight Carrying / WC

The total weight of both the trailer and the cargo inside. Never exceed the weight capacity of your trailer hitch.

### Weight Distribution / WD

Used to balance the weight of the cargo between the front and rear wheels throughout the trailer, allowing for better steering, braking, and level riding.



### Sway Control

A device used to reduce the lateral movements of the trailer that are caused by the wind. This works in conjunction with a weight distribution hitch. Do not use this on a class 1 or 2 hitch, or with surge brakes.

### How Much Can You Safely Tow?

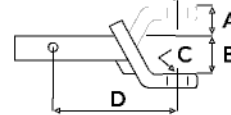
TONGUE WEIGHT (lb)	1000	2000	3000	4000	5000	6000	7000	8000	10,000	12,000
Tongue weight should be about 10 to 15 percent of the gross trailer weight.										
CLASS 1										
CLASS 2										
CLASS 3										
CLASS 4										
CLASS 5										
TRAILER TYPE										
Camper	11'	12'	13'	14'	15'	16'				
lbs.	1100	1200	1300	1400	1500	1600				
Vacation	18'	19'	20'	21'	22'	24'	26'	28'	30'	32'
lbs.	2100	2400	2700	3000	3300	3600	3900	4200	4500	4800
Vacation	18'	19'	20'	21'	22'	24'	26'	28'	30'	32'
lbs.	2800	3200	3600	4000	4400	4800	5200	5600	6000	6400
5th Wheel										

**Refer to owner's manual for towing capabilities and limitations.**

### Ball Mount

The ball mount is placed inside the opening of the receiver hitch which is mounted to the vehicle. Make sure a hitch pin and clip is properly securing the ball mount to the receiver hitch before you begin towing.

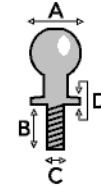
- A: Rise. B: Drop. C: Hole Size. D: Length.



### Trailer Ball

The connection from the hitch to the trailer. There are many factors that determine the correct hitch ball:

- Number one is the hitch ball's gross trailer weight rating.
- The mounting platform must be at least 3/8" thick.
- The hole diameter must not be more than 1/16" larger than the threaded shank.
- Every time you tow, check the nut and lock washer to make sure they are fastened securely.
- A: Ball Dia. B: Shank Length. C: Shank Dia. D: Shank Rise.



### Coupler

The component that is placed over the trailer ball to connect the vehicle to the trailer. Be sure that the coupler size matches the size of the hitch ball and that the coupler handle is securely fastened. To determine what size hitch ball you need for your application you will need to know the size of coupler that is on the trailer. Be sure your coupler is properly adjusted to the ball you are using.

NOTE: For added security the use of safety devices such as Coupler Safety Pins and Locks is strongly recommended.

### Safety Chains

Safety chains are a requirement and should be crossed under the tongue of the trailer so that the tongue will not drop to the road if it becomes separated from the hitch. Always leave enough slack so you can turn. Never allow the safety chains to drag on the ground and never attach the chains to the bumper.

Trailer Classification: Safety Chain Breaking Force - Minimum

Class 1: 2,000 lbs. (8.9 kN)

Class 2: 3,500 lbs. (15.6 kN)

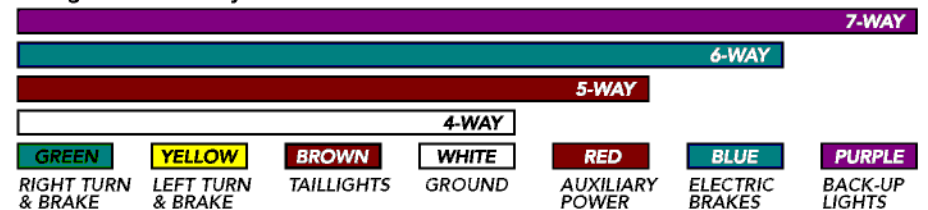
Class 3: 5,000 lbs. (22.2 kN)

The strength rating of each length of safety chain or its equivalent and its attachments shall be equal to or exceed in minimum breaking force the GVWR (Gross Vehicle Weight Rating) of the trailer.

### Electrical

Trailer lights, Electric Brakes, Break-away systems - Every time you tow, be sure to check that all components are working properly.

Wiring identification by color:



CURT DISCLAIMER: WIRING COLOR SHOWN WORK IN CONJUNCTION WITH CURT MANUFACTURING PRODUCTS.