



11/11/2020

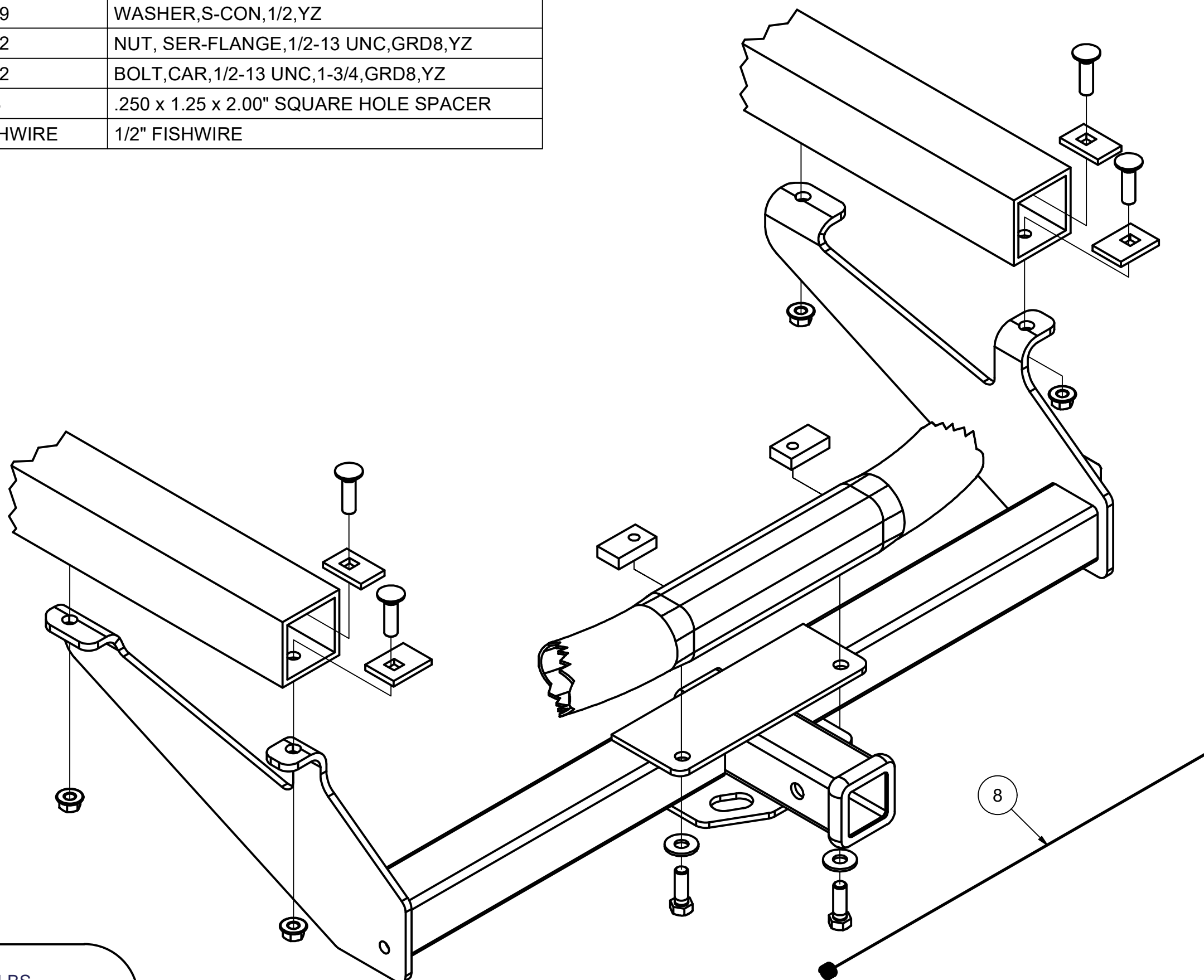
14020

2002 DODGE RAM 1500

GROSS LOAD CAPACITY WHEN USED AS A WEIGHT CARRYING HITCH: 10,000 LBS. TRAILER WEIGHT & 1,000 LBS. TONGUE WEIGHT.
 GROSS LOAD CAPACITY WHEN USED AS A WEIGHT DISTRIBUTION HITCH: 12,000 LBS. TRAILER WEIGHT & 1,200 LBS. TONGUE WEIGHT

*****DO NOT EXCEED VEHICLE MANUFACTURER'S RECOMMENDED TOWING CAPACITY.*****

Parts List			
ITEM	QTY	PART NUMBER	DESCRIPTION
1	2	CM-SP1	.250 x 1.50 x 2.00" SQUARE HOLE SPACER
2	2	CM-SP5	.500 x 1.13 x 2.00" 1/2-13 THREADED SPACER
3	2	10-10334	HHCS,1/2-13 UNC,1-1/2,GRD8,YZ
4	2	30-00149	WASHER,S-CON,1/2,YZ
5	4	20-00062	NUT, SER-FLANGE,1/2-13 UNC,GRD8,YZ
6	4	10-10272	BOLT,CAR,1/2-13 UNC,1-3/4,GRD8,YZ
7	2	CM-SP3	.250 x 1.25 x 2.00" SQUARE HOLE SPACER
8	1	1_2 FISHWIRE	1/2" FISHWIRE



HITCH WEIGHT: 41 LBS.

INSTALL TIME: 40 MINUTES

INSTALL NOTES:

NO DRILLING REQUIRED

INSTALLATION STEPS

- 1) Fishwire a carriage bolt and large spacer thru the end of the box frame and into the rearmost hole of the frame. Be sure the short side of the spacer faces the front of the vehicle. (Both sides).
- 2) Fishwire a carriage bolt and small spacer thru the access slot located on the inside of the frame, and into the the available frame hole located above the axle. (Both sides)
- 3) Raise the hitch into position and attach a 1/2" flange nut to each carriage bolt. Do not tighten at this time.
- 4) With the hitch in place, insert the threaded block spacers thru the access slot on the back side of the bumper beam. While holding the nut in place insert the 1/2" hex bolts and conical washers provided. (Both sides)
- 5) Torque the hardware to 110 lb.-ft.

PERIODICALLY CHECK THIS RECEIVER HITCH TO ENSURE THAT ALL FASTENERS ARE TIGHT AND THAT ALL STRUCTURAL COMPONENTS ARE SOUND.

Curt Manufacturing Inc., warrants this product to be free of defects in material and/or workmanship at the time of retail purchase by the original purchaser. If the product is found to be defective, Curt Manufacturing Inc., may repair or replace the product, at their option, when the product is returned, prepaid, with proof of purchase. Alteration to, misuse of, or improper installation of this product voids the warranty. Curt Manufacturing Inc.'s liability is limited to repair or replacement of products found to be defective, and specifically excludes liability for incidental or consequential loss or damage.