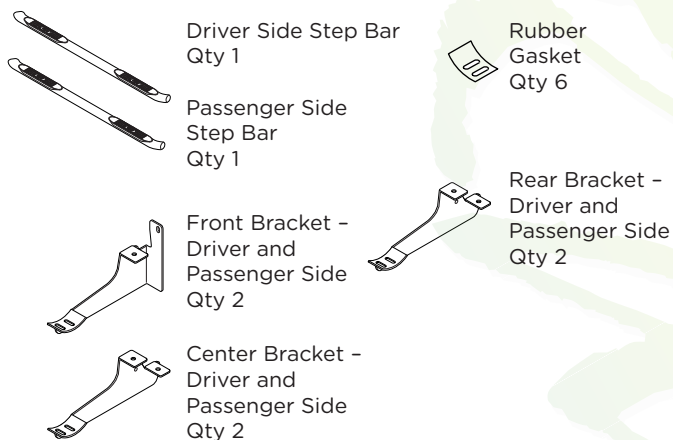


Raptor Series

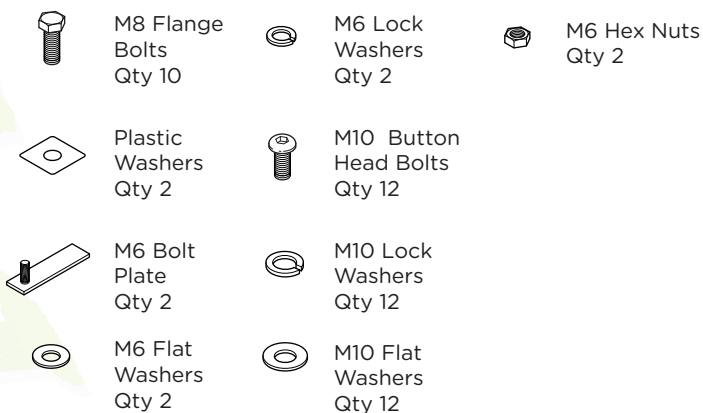
1505-0428, 1505-0428B

4" OVAL BAR CURVED

Components:



Hardware:



Tools Required:



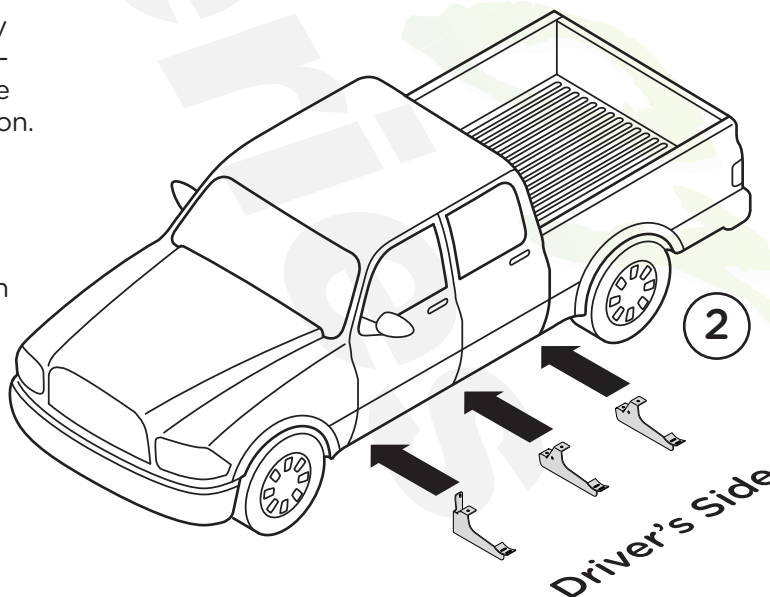
Torque Specifications:

For Rocker Panel Mount Installations
M8 through M12 bolts and nuts are set to 15-20 ft lbs.

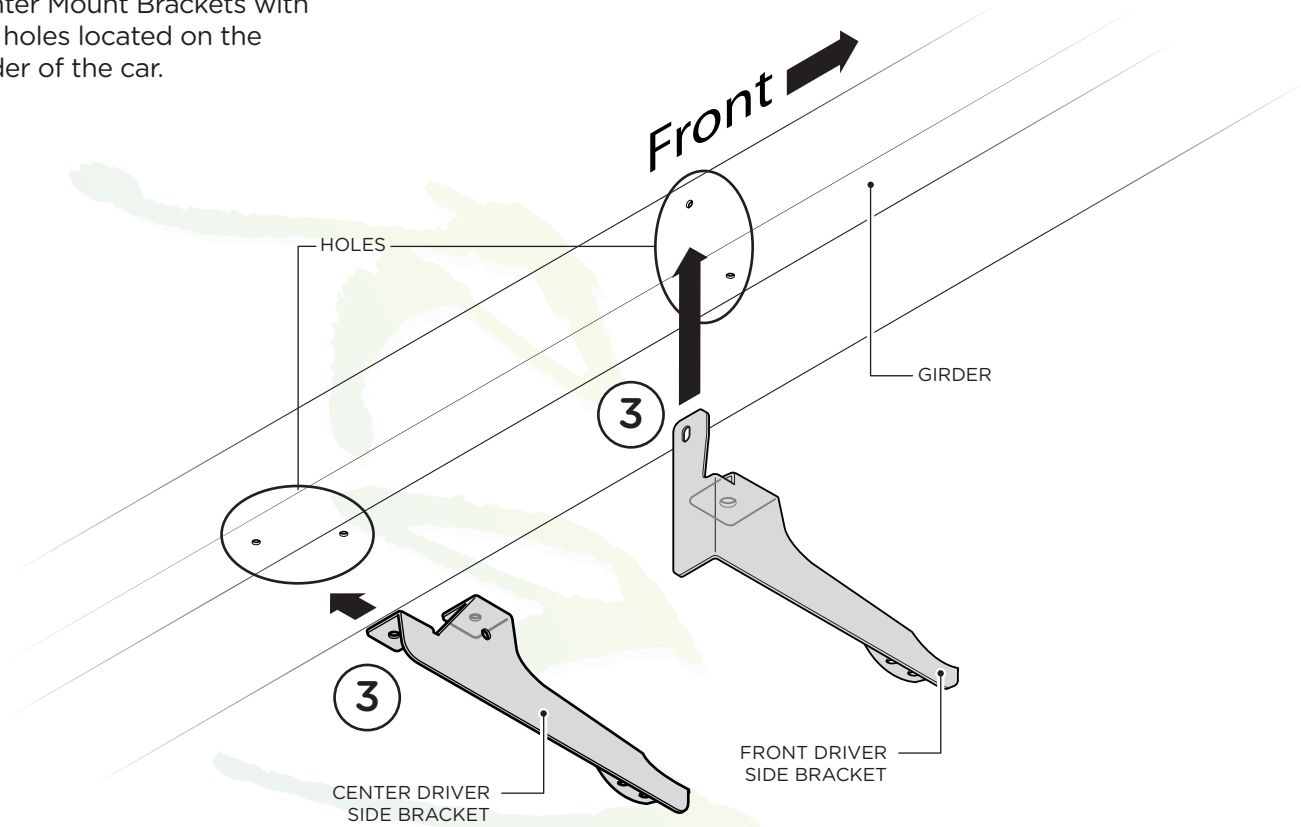
Note: When installing the brackets and bars, all hardware must be left loose until all the items are attached.

1. Remove all contents from the package and check all tubes for any damage. Also, verify that all components and hardware listed above are included before you begin installation.

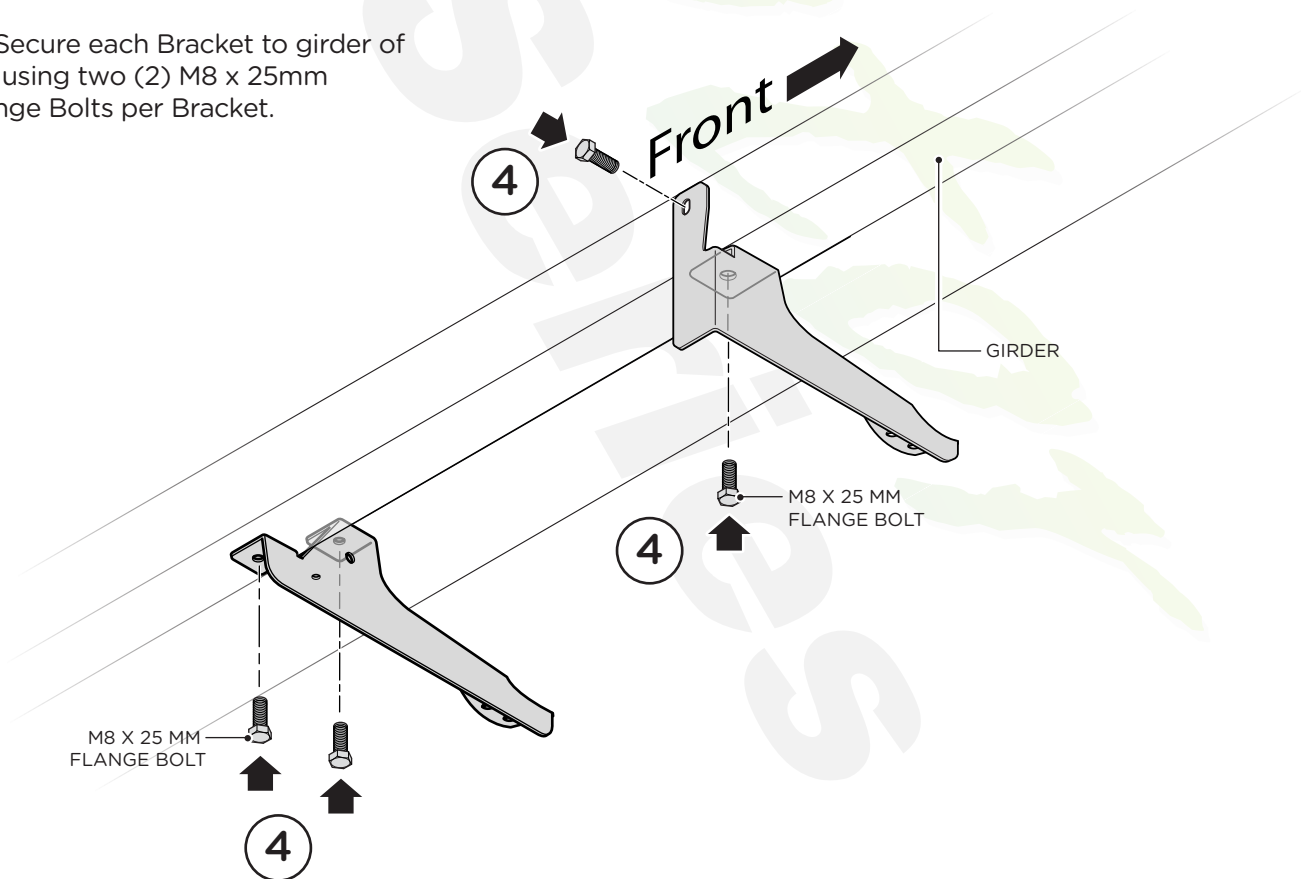
2. Read installation manual and installation drawing completely. Understand all brackets and bolts before installation. Begin installation on the driver's side of vehicle.



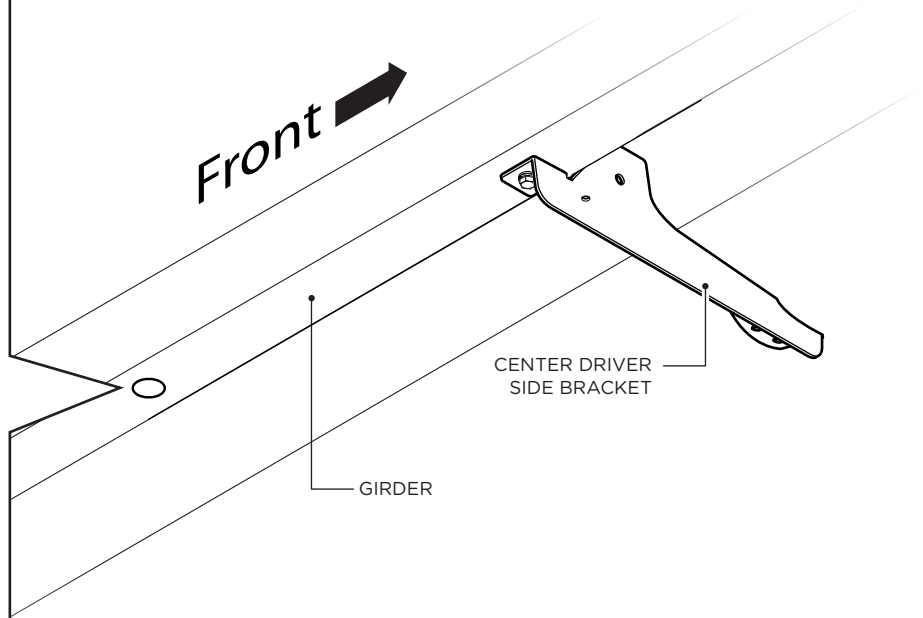
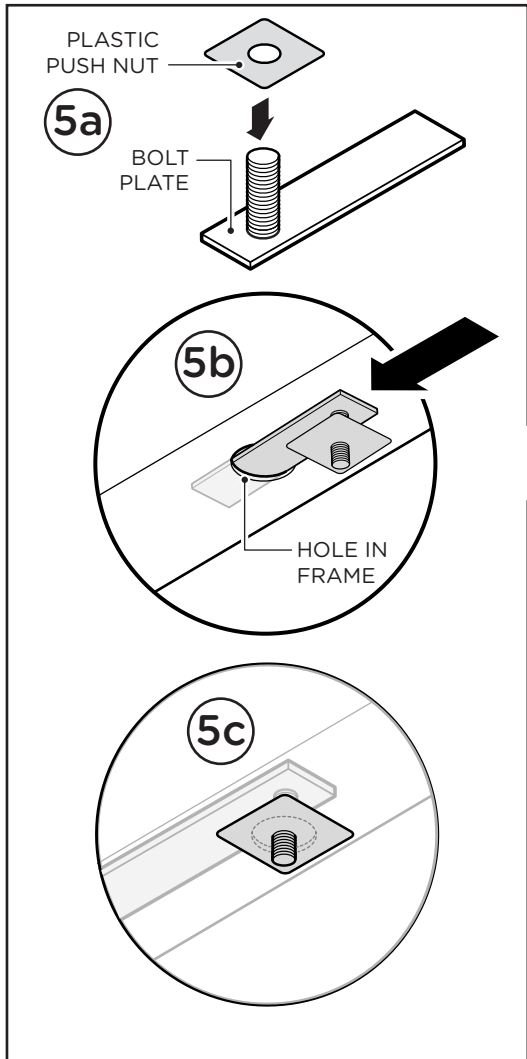
3. Align the Front and Center Mount Brackets with the holes located on the girder of the car.



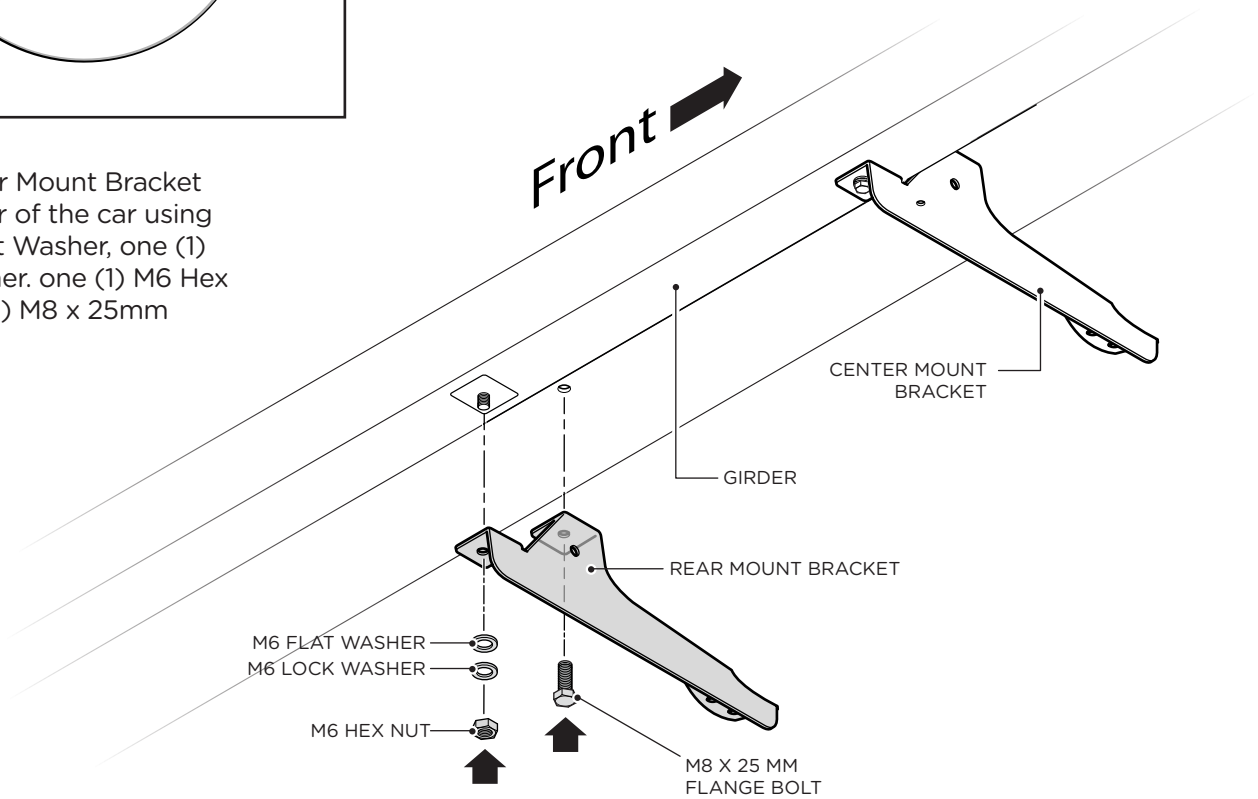
4. Secure each Bracket to girder of car using two (2) M8 x 25mm Flange Bolts per Bracket.



5. Install the Plastic Push Nut onto the M6 Bolt Plate shown (5a). Install the M6 Bolt Plate into the hole on the girder (5b). The Plastic Push Nut prevents the bolt from falling into the girder and keeps the bolt straight (5c).



6. Secure Rear Mount Bracket onto the girder of the car using one (1) M6 Flat Washer, one (1) M6 Lock Washer, one (1) M6 Hex Nut and one (1) M8 x 25mm Flange Bolt.



7. Place Step Bar and Rubber Gaskets onto Brackets. Each Step Bar is marked Driver and Passenger.

8. Attach the Step Bar to each Bracket using two (2) M10 Button Head Bolts, two (2) M10 Lock Washers and two (2) M10 Flat Washers per bracket.

Tighten until the split lock washer is flat against bracket and snug. **DO NOT** over tighten and strip the threaded insert in the tube.

Repeat these steps for passenger side installation. When all hardware is in place, everything must be tightened. See Page 1 for Torque Specifications.

