

Parts List

1	Driver side / left side bar
1	Passenger side / right side bar
2	Mounting bracket, front
2	Mounting bracket, rear
2	Mounting brace
4	Hex bolt, M10 x 25mm
8	Flat washer, M10
4	Hex lock nut, M10
4	Hex bolt, M12 - 1.75 x 120mm
4	Hex bolt, M12 x 50mm
8	Flat washer, M12
8	Lock washer, M12

Level of Difficulty

Easy

Scan
for helpful
install tips**Product Image****Notes and Maintenance**

Before you begin installation, read all instructions thoroughly.

Proper tools will improve the quality of installation and reduce the time required.

To protect the product, wax after installing. Regular waxing is recommended to add a protective layer over the finish. Do not use any type of polish or wax that may contain abrasives that could damage the finish.

For gloss black finishes, mild soap may be used to clean the product.

Procedure

1. Begin installation by working on the driver-side of the vehicle, see figures 1 through 3.
2. From underneath truck, loosen and remove body mount bolts that run upward through mounts into floorboard.

Attach and secure front mount bracket to underside of the vehicles front body mount with one M12 - 1.75 x 120mm bolt, one M12 split lock washer and one M12 flat washer. See figure 2. Snug the hardware, but do not fully tighten.
3. Repeat step 2 to secure the rear mounting bracket to the vehicle.
4. Fasten the mount brace to the rear mounting bracket and vehicle rear body mount using one M10 x 25mm bolt, two M10 flat washers and one M10 lock nut, for each side of mount brace, see figure 3. Snug the hardware, but do not fully tighten.
5. Attach the side bar to the front and rear brackets using one M12 x 50mm bolt, one M12 lock washer and one M12 flat washer for each bracket. Hand tighten.

Adjust the side bar so that it is level and centered, and tighten all bolts to complete the driver-side assembly.
6. Repeat this process for the passenger-side of the vehicle.
7. Congratulations on the installation of your new ARIES 3" round side bars. With the side bars installed, periodic inspections should be performed to ensure all mounting hardware remains tight.

To protect your investment, see the 'Notes and Maintenance' section on the first page of this instruction manual.

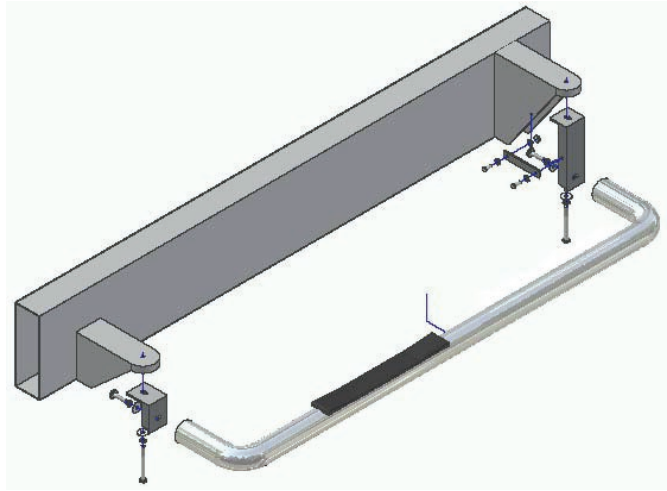


Figure 1 - Full assembly view

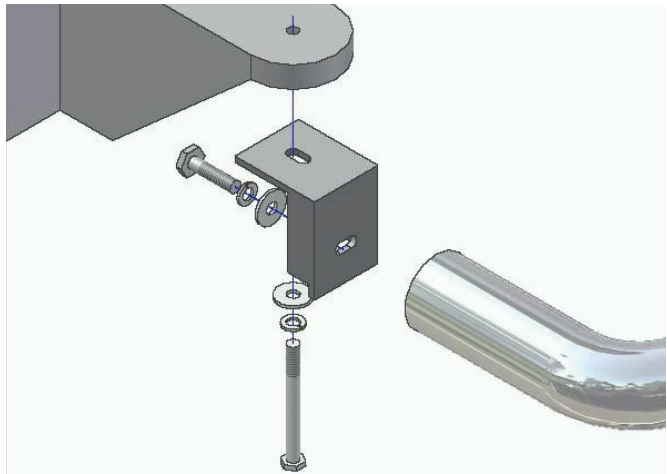


Figure 2 - Front bracket

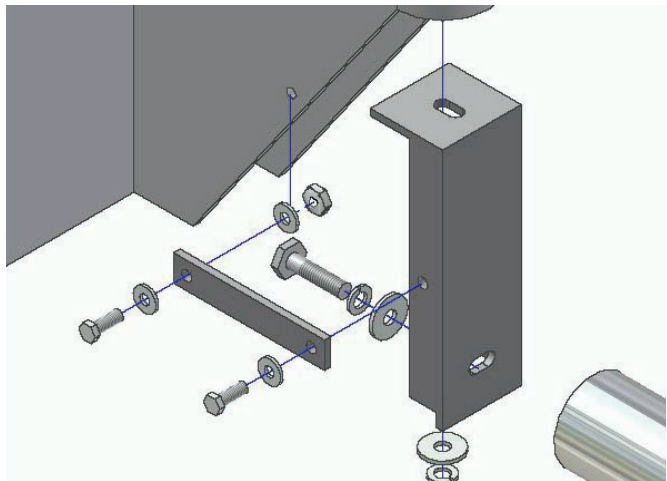


Figure 3 - Rear bracket