

INSTALLATION MANUAL

2051182

Level of Difficulty

Easy

Parts List

1	Driver / left running board
1	Passenger / right running board
1	Driver / left mounting bracket, front
1	Driver / left mounting bracket, middle
1	Driver / left mounting bracket, rear
1	Passenger / right mounting bracket, front
1	Passenger / right mounting bracket, middle
1	Passenger / right mounting bracket, rear
8	Hex head cap screw, M8
8	Pull-through nut, M8
8	Flat washer, M8
8	Lock washer, M8
2	Bolt plate, M10
2	Plastic bolt retainer, M10
4	Flat washer, M10
2	Lock washer, M10
2	Hex nut, M10 x 1.5
2	Carriage bolt, 1/2"-13 UNC, 1-3/4"
2	Flat washer, 1/2"
2	Lock washer, 1/2"
2	UNC Hex nut, 1/2"-13
2	CM-SP74 Spacer

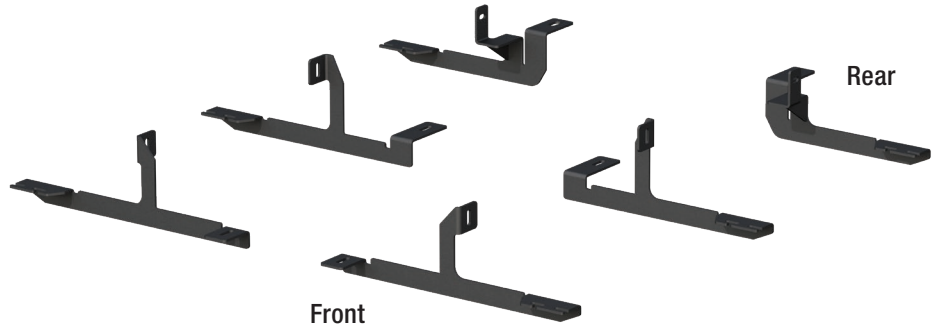
Tools Required

Ratchet	Wrench set
Torque wrench	Level
Socket set	Utility knife
Socket extension	--

Product Registration and Warranty

CURT Group stands behind our products with industry-leading warranties. Provide feedback and help us to improve our products by registering your purchase at: warranty.curtgroup.com/surveys

Product Photo



AeroTread™ Running Boards (not included)



NOTICE

Before you begin installation, read all instructions thoroughly.

Proper tools will improve the quality of installation and reduce the time required.

To help prevent damage to the product or vehicle, refer to the specified torque specifications when securing hardware during the installation process.

Maintenance

To protect the product, wax after installing. Regular waxing is recommended to add a protective layer over the finish. Do not use any type of polish or wax that may contain abrasives that could damage the finish.

For polished, gloss and other smooth finishes, polish may be used to clear small scratches and scuffs on the finish.

Mild automotive detergent may be used to clean the product. Do not use dish detergent, abrasive cleaners, abrasive pads, wire brushes or other similar products that may damage the finish.

Torque Specifications

Metric			SAE		
M6 bolt		3 ft.-lbs.	1/4" bolt		3 ft.-lbs.
M8 bolt		7 ft.-lbs.	5/16" bolt		7 ft.-lbs.
M10 bolt		16 ft.-lbs.	3/8" bolt		16 ft.-lbs.
M12 bolt		28 ft.-lbs.	7/16" bolt		20 ft.-lbs.
--		--	1/2" bolt		28 ft.-lbs.

Use above torque setting unless otherwise noted

Step 1

Starting on the driver side, locate the three mounting locations on the inside of the rocker panel and underneath the vehicle.

NOTICE

Each bracket is specific to a mounting location. Refer to the product photo on page one for correct locations.



Step 2

Locate the front mounting holes. Secure the front mounting bracket using an M8 pull-through nut, lock washer, flat washer and hex screw.

Snug the hardware, but do not fully tighten.



Step 3

Locate the middle mounting holes. Remove any plugs if they are present.

Insert an M10 bolt plate into the rear mounting hole. Secure using an M10 plastic bolt retainer, flat washer, lock washer and hex nut.

Secure the front mounting bracket using an M8 pull-through nut, lock washer, flat washer and hex screw.

Snug the hardware, but do not fully tighten.



Step 4

Locate the rear mounting holes. Insert a 3" x 1-1/2" spacer and a 1/2" carriage bolt in the rear hole. Secure using a 1/2" lock washer and flat washer.

Secure the front mounting bracket using an M8 pull-through nut, lock washer, flat washer and hex screw.

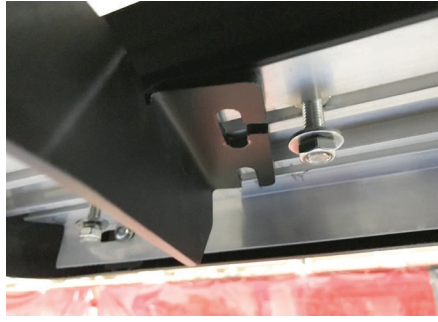
Snug the hardware, but do not fully tighten.



Step 5

Place the running board on the brackets and align the M8 bolts with the slots in the brackets on the vehicle. Secure the running board to the brackets using six M8 bolts, lock washers, flat washers and hex nuts.

Adjust and level the running board, centering it between the front and rear wheels. With the running boards in position, it is recommended to tighten all brackets to the vehicle first, followed by the running board connections.



Step 6

Repeat steps 1 through 5 on the passenger side of the vehicle.

Congratulations on the installation of your new ARIES AeroTread™ running boards. With the running boards installed, periodic inspections should be performed to ensure all mounting hardware remains tight.

To protect your investment, see the 'Notes and Maintenance' section on the first page of this instruction manual.

