

# **INSTALLATION INSTRUCTIONS**

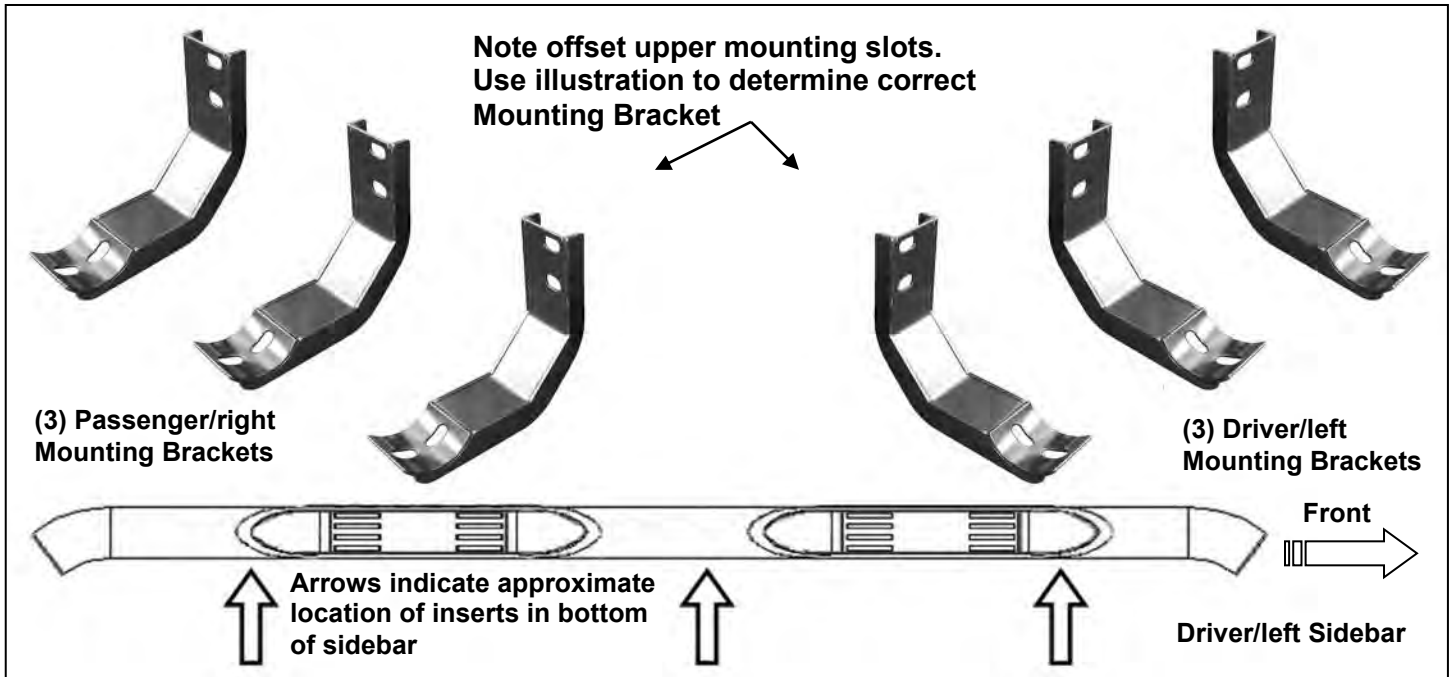
**3" SIDEBAR**

**05-17 NISSAN FRONTIER KING CAB**

**05-12 SUZUKI EQUATOR EXTRA CAB**

**PARTS LIST:**

1	Driver/Left Side Bar	12	8-1.25mm x 25mm Combo Bolts
1	Passenger/Right Side Bar	12	8 x 24mm OD x 2mm Flat Washers
3	Driver/Left Side Mounting Brackets	12	8mm Lock Washers
3	Passenger/Right Side Mounting Brackets	12	8-1.25mm Hex Nuts



**PROCEDURE:**

1. REMOVE CONTENTS FROM BOX. VERIFY ALL PARTS ARE PRESENT. READ INSTRUCTIONS CAREFULLY.
2. Remove the existing factory running boards or side steps, if equipped, by removing the hex nuts holding the mounting brackets to the inside of the body.
3. Select (1) the driver side Mounting Bracket, **(Figure 1)**. Attach the Bracket to the front mounting location, with the included (2) 8mm Flat Washers, (2) 8mm Lock Washers and (2) 8mm Hex Nuts, **(Figure 2)**. Do not tighten at this time. **NOTE:** Slots in the top of the mounting brackets are off set. Use the illustration above to select the proper Mounting Bracket.
4. Repeat **Step 3** for the driver side center and rear Mounting Bracket installation, **(Figure 3)**.
5. Carefully place the driver Sidebar onto the (3) Mounting Brackets. Attach the Sidebar to the Brackets with the included (6) 8 x 25mm Combo Bolts. Do not tighten at this time.
6. Level and adjust the Sidebars as desired and tighten all hardware.
7. Repeat **Steps 2—6** for passenger Sidebar installation.
8. Do periodic inspections to the installation to make sure that all hardware is secure and tight.

**To protect your investment**, wax this product after installing. Regular waxing is recommended to add a protective layer over the finish. Do not use any type of polish or wax that may contain abrasives that could damage the finish.

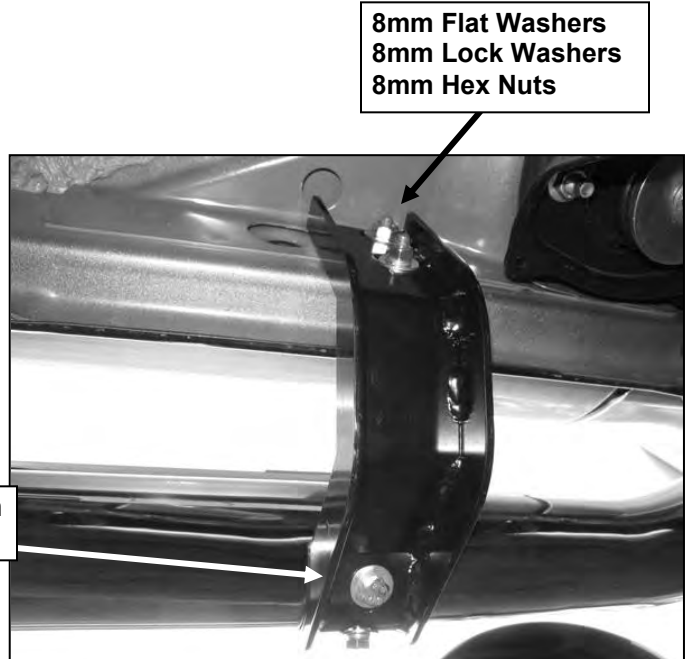
**For stainless steel:** Aluminum polish may be used to polish small scratches and scuffs on the finish. Mild soap may be used also to clean the Sidebar.

**For gloss black finishes:** Mild soap may be used to clean the Sidebar.

### Driver Side Installation Pictured



(Fig 1) Driver/left Mounting Bracket



8mm Flat Washers  
8mm Lock Washers  
8mm Hex Nuts

(2) 8mm x 25mm  
Combo Bolts

(Fig 2) Driver/left front Bracket pictured

8mm Flat Washers  
8mm Lock Washers  
8mm Hex Nuts

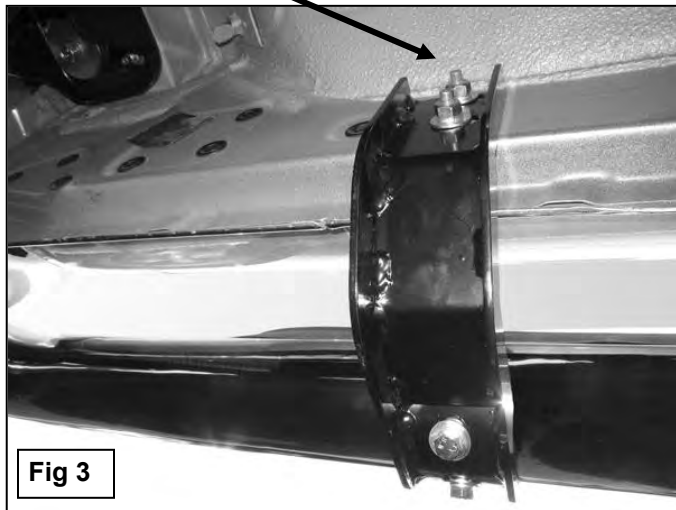


Fig 3

8mm x 25mm  
Combo Bolts