

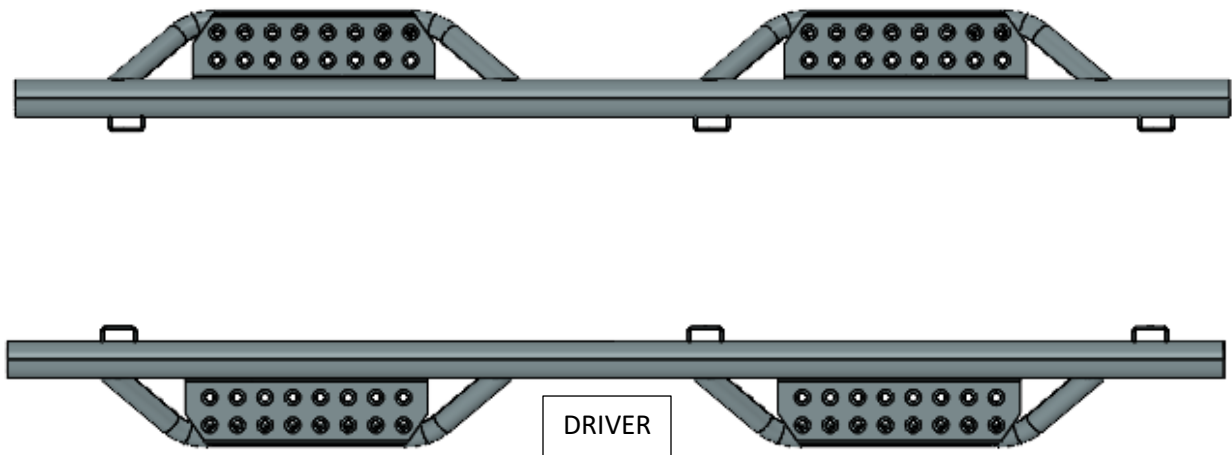
I-SHEET PART NUMBER: INST-00259  
 PART NUMBER: **209417322**  
 PRODUCT: **RS HOOP SKEEP**  
 APPLICATION: **09-18 1500 QC**  
**19-21 2500/3500/4500 QC**

HARDWARE DESCRIPTION	QTY.
M8 bolt plate	6
M8 serrated flanged nut	6
M8 lock washer	12
M8 flat washer	18
M8 bolt	12
M8 u-nit	12
10mm carriage bolt	12
10mm flanged nut	12



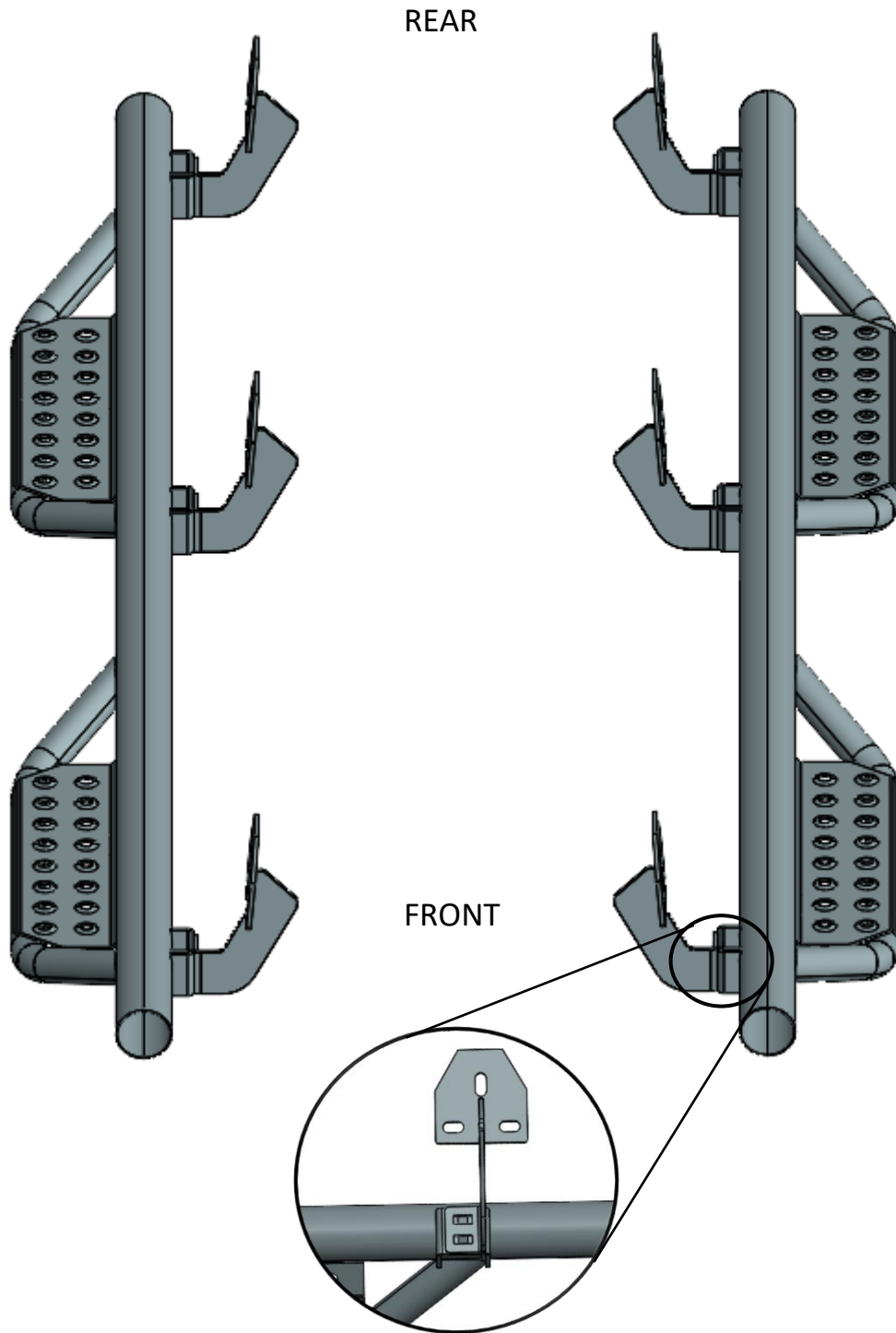
PARTS INCLUDED	QTY
Driver side step	1
Passenger side step	1
Mounting bracket	6

**Step 1:** Identify driver side step.



**Step 2** Install the (x6) mounting brackets to each attachment point on the main tube and leave loose for now.

**\*\*\*\* NOTE: The bent part of the mounting bracket will be facing towards the rear of the vehicle on driver and passenger. \*\***



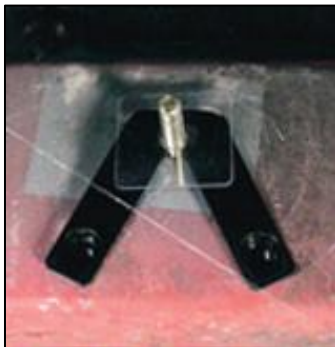
**Step 3:** Each mounting bracket consist of three mounting



**Step 4:** Remove OE boards if equipped. Locate mounting holes and insert U-nuts to bottom holes.



**Step 5:** Place clear retainer over stud on bolt plate. Fish bolt plate through the body of the vehicle. Slide retainer tight to stud. Take your time here to avoid dropping bolt plate into the body.



**Step 6** Carefully place step into place and hand tighten the upper nut to bolt plate with washer. ***An assistant is recommended for this step.*** Insert and hand tighten lower bolts.



**Step 7:** Begin tightening nuts & bolts in an alternating pattern. ***Avoid using power or air tools.*** Tighten to 20 ft/lbs torque to secure the steps to the vehicle.

**Step 8:** Tighten all mounting brackets at the main tube 20 ft/lbs.

**Step 9:** Repeat steps 3-8 with passenger side install.

