

JL 180 Light Mount Installation Instructions

Part No: 210291



Quality and Style that Endures

Follow the diagram and the written directions carefully for a proper, safe installation.

Should you encounter an unusual, unforeseen problem, contact our Technical Help Line

7:00 AM – 3:00 PM Pacific Time

(951) 719-1068

Visit our web-site at

www.CARR.com

Warranty Information
on our website

Carr Pattern Co., Inc.



SCAN ME

JL 180 Light Mount overview video

Vehicle Application:

'18-'22 JL Wrangler – All Styles

'20-'22 JT Gladiator – All Styles

MATERIAL NEEDED:

3/8 wrench, 1/2 wrench, T40 torx wrench or T40 torx socket drive, blue thread locker.

MATERIAL FURNISHED:

2 – Light mounts, (1 - right, 1 - left), 2 – Swivel brackets 1 – Hardware pack, 1 – Instruction. **LIGHTS NOT INCLUDED**

1. Insert grommet on passenger side light mount. Make sure the grommet is properly seated.

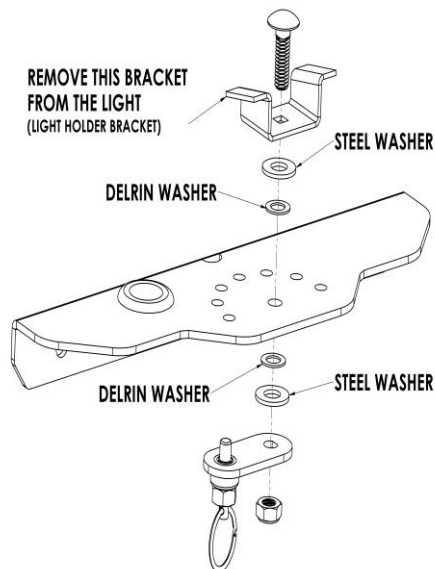


2. Screw the plunger bolt into the swivel plate as shown. (Blue thread locker is recommended)



3. Assemble light mount as shown in this order.

1. Place hex or carriage bolt through light holder bracket (Light holder bracket not included)
2. Steel 5/16 washer
3. Delrin washer (white)
4. Side light mount
5. Delrin washer (white)
6. Steel 5/16 washer
7. Swivel plate
8. Nylon lock nut



IMPORTANT: Do not over tighten lock nut, the assembly will need to swivel. Plunger bolt needs to be on rear hole towards rear of vehicle as shown

Note A:

Both hex and carriage slotted bolts will mate with D shaped hole on swivel bracket to lock your light bracket with the swivel plate.



JL 180 Light Mount Installation Instructions

Part No: 210291

NOTE B

Top view shown here. With the light mount bracket installed with the swivel and plunger assembly, you may now reinstall the light.



4. Remove the factory Torx bolts, one side of the vehicle at a time.



5. Install the light mount assembly using the nylon spacers in between the vehicle and the light mount (**Note: for the passenger side, make sure the antenna is through the hole with the grommet**). This will prevent scratches on both the vehicle and light mount. Also use supplied longer Torx bolts along with the black plastic washers provided. Tighten bolts using factory torque specs.



6. Your light mount is now ready for use.

Wiring and electrical installation should always be done by a professional.



WARNINGS!

- ✓ Do not over tighten the nuts and bolts or damage to the castings and or stripping of the threads could result.
- ✓ FOR SAFE AND PROPER USAGE OF THIS PRODUCT, THE MOUNTING INSTRUCTIONS MUST BE FOLLOWED CAREFULLY AND COMPLETELY.
- ✓ The manufacturer and distributor of this product are in no way responsible for the consumer's failure to adhere to the warnings and directions of these instructions in the event of damage to the consumer's vehicle, other properties and or personal injury.

Carr Pattern Co., Inc. Warranty Policy

Finishes: Limited Lifetime

Structural Warranty: Limited Lifetime

Warranty Conditions:

- a. All warranties start from consumer's date of purchase.
- b. A new product will be sent out immediately to replace a warranty claim.
- c. The above guidelines apply only to the Original Purchaser.
- d. Original proof of purchase must be submitted for all warranty and returns issues.

Warranty Limitations:

- a. Warranty coverage extends ONLY to repair or replacement of the CARR product. This warranty does not cover the cost of labor, transportation, installation or removal of the product.
- b. Warranty coverage does not extend to damage caused by: collision, fire, theft, freezing, vandalism, riot, explosion or object striking the product, or misuse of the product and/or the vehicle on which the product is being installed.
- c. Warranty coverage does not extend to damage caused by: airborne fallout (chemicals, tree sap, etc.), stones, hail, earthquake, water or flood, windstorm, lightning, the application of chemicals or sealants subsequent to manufacture.
- d. Warranty coverage does not extend to damages caused by: normal wear and tear, abuse, modification or improper installation of the product.
- e. Warranty coverage does not extend to any economic loss or extra expense including (without limitation), payment for the loss of time or pay, inconvenience, storage, loss of vehicle use, vehicle rental expense, equipment rental expense, lodging, meals, or other travel costs.

Other Terms:

This warranty gives you specific legal rights and you may also have other rights that vary from state to state. CARR does not authorize any person to create for it any other obligation or liability in connection with its products. ANY IMPLIED WARRANTY OF MERCHANTABILITY OR FITNESS FOR A PARTICULAR PURPOSE APPLICABLE TO THIS PRODUCT IS LIMITED IN DURATION TO THE DURATION OF THIS WRITTEN WARRANTY. PERFORMANCE OF REPAIRS AND NEEDED ADJUSTMENTS IS THE EXCLUSIVE REMEDY UNDER THIS WRITTEN WARRANTY OR ANY IMPLIED WARRANTY. CARR SHALL NOT BE LIABLE FOR INCIDENTAL OR CONSEQUENTIAL DAMAGES RESULTING FROM BREACH OF THIS WRITTEN WARRANTY.*

*Some states do not allow limitations on how long an implied warranty will last or the exclusion or limitation of incidental or consequential damages, so that above limitations or exclusions may not apply to you.

Guarantee: Every attempt has been made to manufacture and distribute the finest quality products available. Our manufactured products are guaranteed to be free of defects due to workmanship or materials. Distributed products are subject to manufacturer's warranty only.