



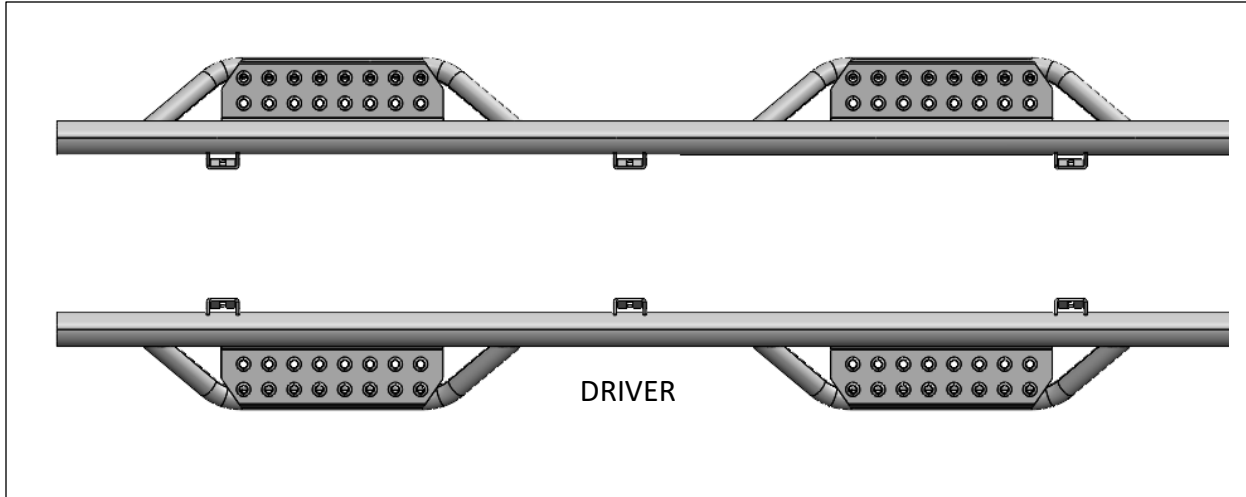
I-SHEET PART NUMBER: INST-00288  
 PART NUMBER: **219418012**  
 PRODUCT: **HOOP STEP**  
 APPLICATION: **RAM 1500 CC**

HARDWARE DESCRIPTION		QTY.
FLNT-00696X	M8-1.25 CLASS 8 SERRATED FLANGE NUT	18
FDRW-00736X	M8 FENDER WASHER	18
	10MM flanged nut	12
	10MM Carriage bolt	12

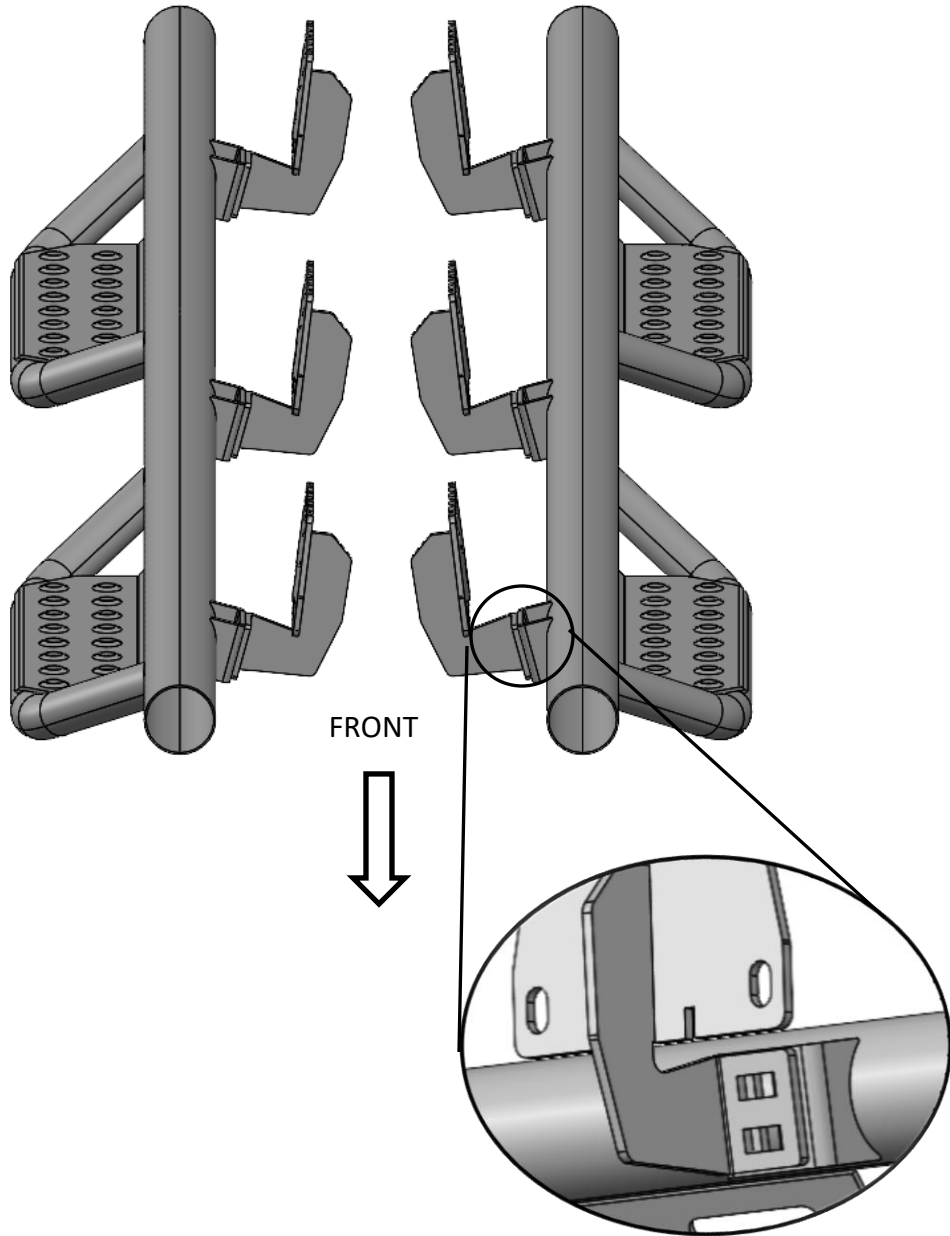


PARTS INCLUDED	QTY
DRIVER SIDE STEP	1
PASSENGER SIDE STEP	1
Mounting Brackets	12

Identify driver side step.



**Step 1:** Install the (x6) mounting brackets to each attachment point on the main tube and leave loose for now. ***Note the bracket orientation. The front bracket bends towards the front of the vehicle.***





n-fab.com

nfabinc f t

I-SHEET PART NUMBER: INST-00288  
PART NUMBER: **219418012**  
PRODUCT: **HOOP STEP**  
APPLICATION: **RAM 1500 CC**

**Step 2:** Starting with the driver side, remove any steps and old hardware from the vehicle.



**Step 3:** On the inside rocker panel there will be three-attachment point consisting of three 8mm studs coming out from the panel. These studs may be covered in paint and will need to be cleaned before the installation.



**Step 4:** An additional person is recommended for this step. Carefully install the Hoop step to the three factory attachment points using the provided M8 flanged hex nuts. Leave finger tight for now.



**Step 5:** After final adjustment, tighten (x3) bracket to (20 ft./lbs of torque.)

**Step 6:** Next, tighten (x3) mounting brackets at the main tube ( 20-25 ft./lbs torque.)

**Step 7:** Re-peat steps 1-6 for passenger side.

