

250-9000
06 CHEVROLET AVEO/ WAVE
CRUISE CONTROL
INSTALLATION INSTRUCTIONS

SERVICE PART NUMBERS

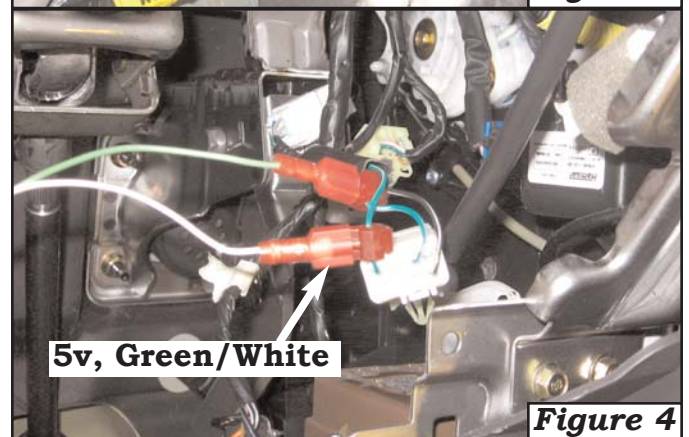
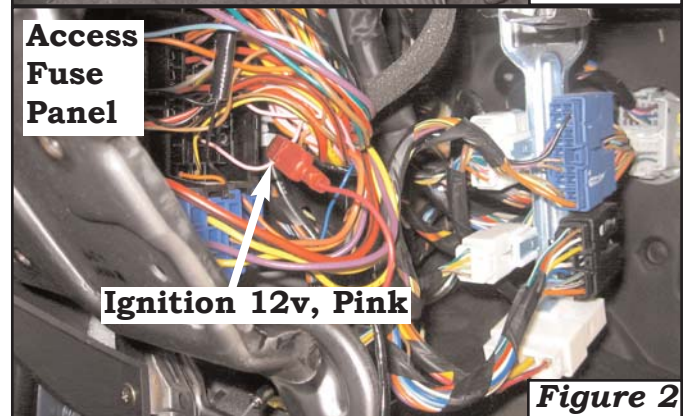
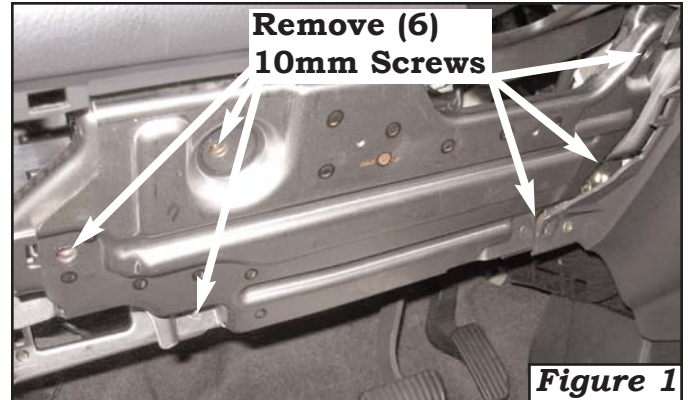
ITEM	QTY	DESCRIPTION	PART NUMBER
1	1	CONTROL MODULE	250-2711
2	1	MAIN HARNESS	250-2712
3	1	ECM HARNESS	250-2690
4	1	SWITCH	250-3742
5	1	SACK PARTS	250-2713

CONTENTS

INSTALLATION	2
CONTROL SWITCH	3
TROUBLESHOOTING	5

INSTALLATION

- 1) Remove knee panel under steering column, then remove **(6) 10mm** screws to release steel panel. **Figure 1**
- 2) Remove lower steering column cover and driver side kick panel.
- 3) Connect the **Red Cruise Harness Wire** to **Pink 12v Ignition Vehicle Wire** behind fuse as shown in **Figure 2**.
- 4) Connect the **Black Cruise Harness Wire** to **Black Wire/Position 87 of 4 Function Relay** for ground. **Figure 3**
- 5) Locate White Connector below steering column attached to metal bracket. **Figure 4**
- 6) Connect the **White Cruise Harness Wire** to **Green/White Wire** furthest away from Black/White wire in connector. **Figure 4**
- 7) Connect **Green Cruise Harness Wire** to **Green/White Wire** above Black/White wire in connector. **Figure 4**



8) Align tape measure on shroud and mark hole **1 1/2"** down from top. **Figure 5**
Use the **Lever Wedge** as an angle template to drill **9.5mm or 3/8"** hole in lower shroud as shown in **Figure 6**.

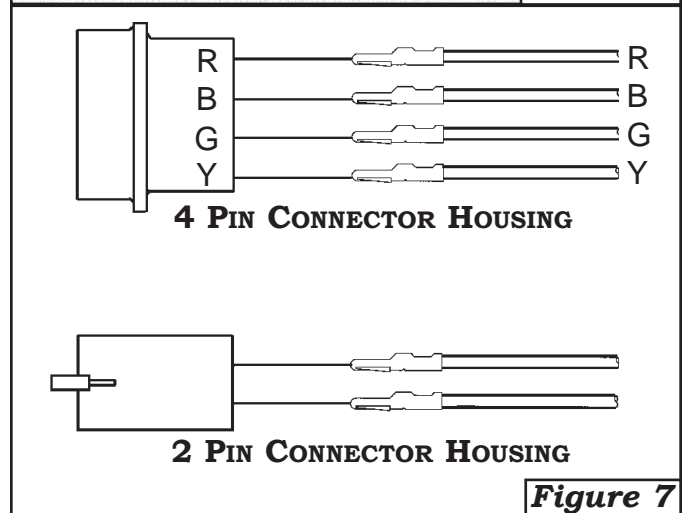
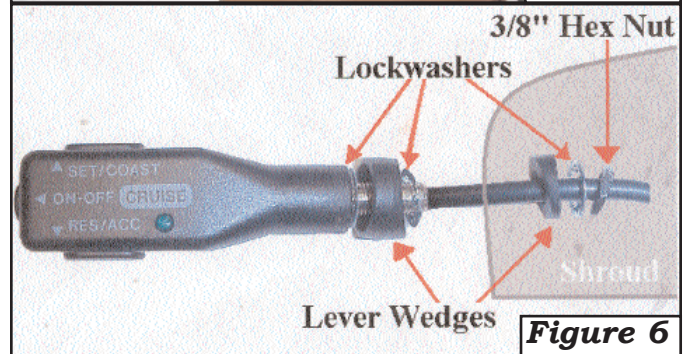
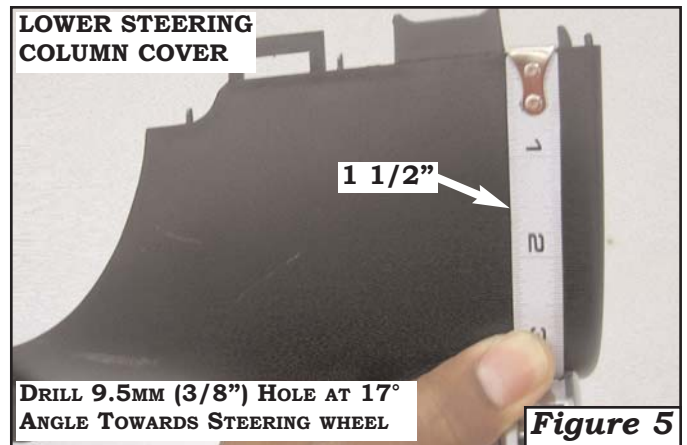
9) Position the lockwashers as shown in **Figure 6**. Start nut and position the lettering for driver's best view. Fully secure nut at **2.5-2.8Nm**. **Do Not Overtighten**.

10) Install 4 Pin connector onto switch. Install **Red, Brown, Green, and Yellow** wires. Install 2 Pin connector on to **Blue** and **Black** wires of switch harness such that, when connector is connected to cruise wire harness, **Black** goes to **Black** and **Blue** goes to **Red**. **Figure 7**

11) Connect switch harness to cruise wire harness. Verify that all colors match with the exception of the **Blue to Red** wire connection on the 2 pin connector. Connect cruise wire harness to Cruise Control Module.

12) Reinstall driver side kick panel, lower steering column cover, steel cover, and knee panel under steering column.

13) Test cruise functions in accordance with operating instructions. **Verify cruise disengages when vehicle is put in neutral or brake is depressed.**



TROUBLESHOOTING

- 1. Check black and green wires with meter for ground no higher than 3 ohms of resistance.**
- 2. Check Red wire for ignition 12 volts.**
- 3. With everything connected, check White wire voltages at the control module in harness:**

Off: 5 volts on White wire from the ECM

On: 3.7 volts on White wire

On with "Set" pressed: 2.2 volts on White wire

On with "Resume" pressed: 2.8 volts on White wire

