

# INSTALLATION INSTRUCTIONS AND PARTS LIST

## VEHICLE APPLICATION:

**MODEL 250014 (14" X 23") REAR MUDGUARDS WITH SST**  
**MODEL 251014 (14" X 23") REAR MUDGUARDS WITHOUT SST**  
UNIVERSAL APPLICATIONS FOR SINGLE WHEEL VEHICLES

1. READ INSTRUCTIONS COMPLETELY AND CHECK TO MAKE SURE THAT ALL REQUIRED PARTS (LISTED ON SERVICE PARTS LIST) ARE ON HAND BEFORE STARTING THE INSTALLATION.
2. NOTE THAT THESE MUDGUARDS ARE A UNIVERSAL PRODUCT. SOME MODIFICATIONS TO THE MUDGUARD, OR TWISTED BRACKET MAY BE REQUIRED TO MAKE YOUR SPECIFIC APPLICATION.
3. INSTALL THE MUDGUARDS AS FOLLOWS:
  - 3.1. ATTACH THE MOUNTING BRACKETS (ITEM #9) TO THE MUDGUARDS. USE 10-24 X 1" TRUSS HEAD SCREWS (ITEM #6), #10 FLAT WASHERS (ITEM #8) AND 10-24 SERRATED FLANGE NUTS (ITEM #7). (USE THE HOLE IN THE BRACKET THAT BEST LOCATES THE SPLASH GUARD IN THE PREFERRED LOCATION). THE BRACKET MAY NEED TO BE BENT TO CLEAR THE SPRING SHACKLE.
  - 3.2. POSITION THE MUDGUARD AGAINST THE WHEEL WELL FLANGE. MOVE THE SPLASH GUARD IN OR OUT AS DESIRED, LEVEL THE SPLASH GUARD, CLAMP THE MUDGUARD TO THE WHEEL WELL FLANGE AND THE TOP OF THE MOUNTING BRACKET TO THE INNER WHEEL WELL FLANGE.
  - 3.3. FASTEN THE MUDGUARD TO THE WHEEL WELL FLANGE BY DRILLING THREE 3/16" DIA. HOLES THRU THE MUDGUARD AND THE CENTER OF THE WHEEL WELL FLANGE. START THE HOLES APPROX. 3/4" FROM THE TOP AND SPACE EQUALLY. FASTEN WITH 1/4" X 1" HEX HEAD THREAD FORMING STAINLESS STEEL SCREWS (ITEM #5).
  - 3.4. USING THE HOLE IN THE MOUNTING BRACKET AS A PILOT, DRILL A 3/16" DIA HOLE THRU THE INNER BOX PINCH WELD AND FASTEN WITH A 1/4" X 1" HEX HEAD THREAD FORMING SCREW (ITEM #5).

## SERVICE PARTS LIST

ITEM	PART NO.	QTY	DESCRIPTION
1	550094	1	MUDGUARD, RUBBER, 14X23, LH, W/O SST
2	550095	1	MUDGUARD, RUBBER, 14X23, RH, W/O SST
3	550096	1	MUDGUARD, RUBBER, 14X23, LH, WITH SST
4	550097	1	MUDGUARD, RUBBER, 14X23, RH, WITH SST
5	108449	8	SCREW-SELF TAPPING, 1/4" X 1", SST
6	105516	2	SCREW-TRUSS, HEAD, 10-24 X 1", SST
7	104261	2	NUT-SERRATED FLANGE, 10-24, SST
8	105511	4	WASHER-FLAT, .203 X .625 X .062,SST
9	544060	2	BRACKET-MOUNTING, TWISTED, SPLASHGUARDS



(A LIVERNE Company)

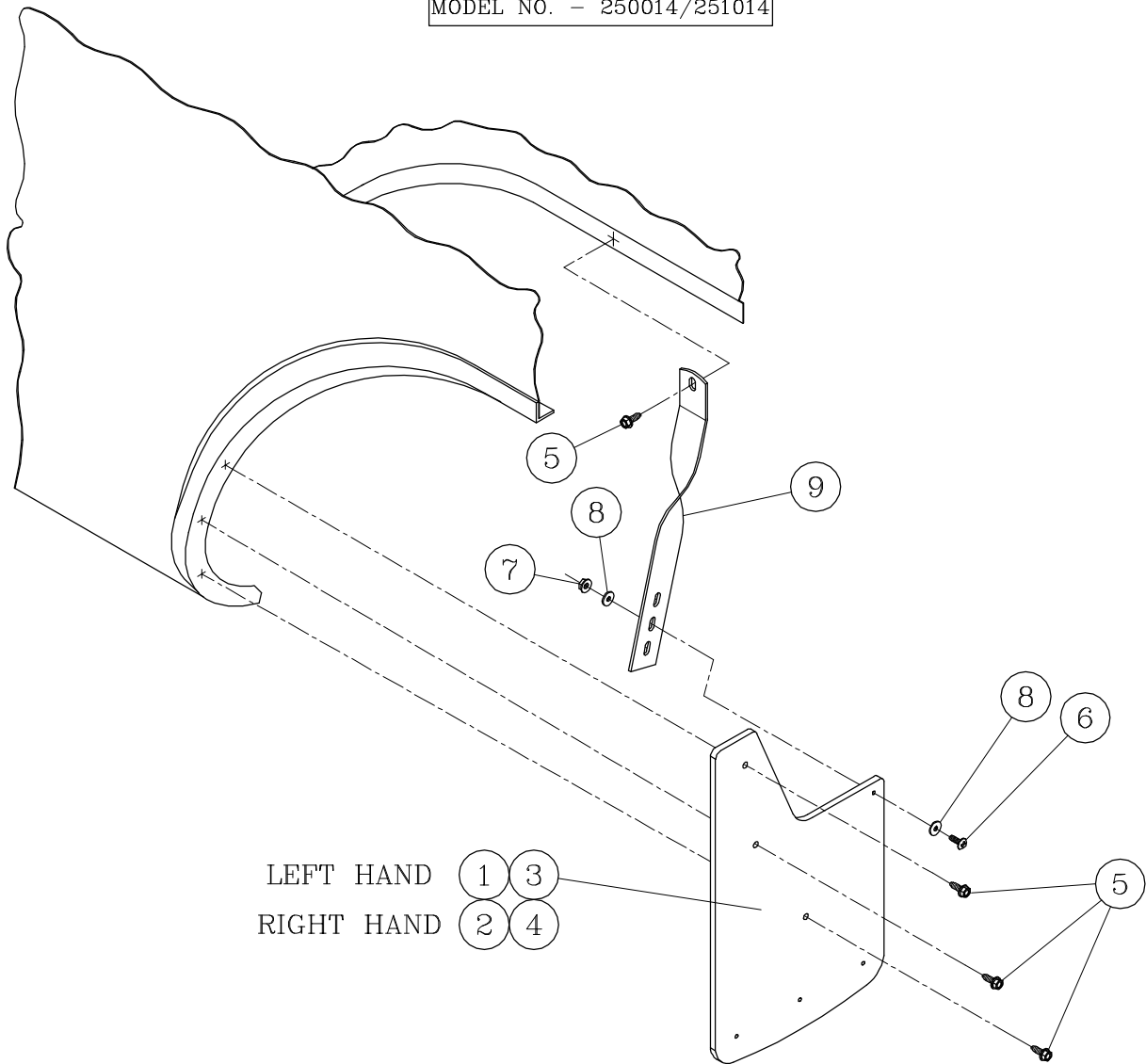
1200 E. Birch St.

Brandon, SD 57005

550099 SHEET 1 01APR13

SERVICE PARTS LIST

MODEL NO. - 250014/251014



LEFT HAND (1) (3)  
RIGHT HAND (2) (4)

fig.1

FRONT

REAR INSTALLATION  
RIGHT (PASSENGER) SIDE SHOWN



(A LIVERNE Company)

1200 E. Birch St.

Brandon, SD 57005