

INSTALLATION INSTRUCTIONS AND PARTS LIST

VEHICLE APPLICATION:

MODEL 250420 (12" X 20") & 250423 (12" X 23") FRONT OR REAR MUDGUARDS
2004 AND NEWER FORD F-150 SERIES TRUCKS

1. READ INSTRUCTIONS COMPLETELY AND CHECK TO MAKE SURE THAT ALL REQUIRED PARTS (LISTED ON SERVICE PARTS LIST) ARE ON HAND BEFORE STARTING THE INSTALLATION.
2. PREPARE THE MUDGUARDS AND VEHICLE FOR MUDGUARD INSTALLATION AS FOLLOWS:
 - 2.1. ON REAR APPLICATION, ATTACH THE MOUNTING BRACKETS (ITEM 12 & 13) TO THE MUDGUARDS AS SHOWN. USE 10-24 X 1.0" TRUSS HEAD SCREWS (ITEM 6), 1/4" FENDER WASHER (ITEM 4), #10 FLAT WASHER (ITEM 7) AND 10-24 NYLOCK NUTS (ITEM 8). (USE THE BOTTOM HOLE IN THE BRACKET).

MOUNTING 250420 / 250423 MUDGUARDS ON FRONT WITHOUT MOLDINGS: (SEE FIG. 1)

3. INSTALL THE MUDGUARDS AS FOLLOWS:
 - 3.1. REMOVE THE TWO FACTORY SCREWS THAT FASTEN THE STONE GUARD. (THESE SCREWS ARE NOT REUSED).
 - 3.2. POSITION THE MUDGUARD AGAINST THE WHEEL WELL FLANGE AND INSTALL (2) HEX HEAD SEM SCREWS (ITEM 3) AND 1/4" FENDER WASHER (ITEM 4). MOVE THE MUDGUARD IN OR OUT AS DESIRED, LEVEL THE MUDGUARDS AND TIGHTEN THE FASTENERS.

MOUNTING 250420 / 250423 MUDGUARDS ON FRONT WITH MOLDINGS: (SEE FIG. 2)

4. DRILL FASTENER CLEARANCE HOLES THRU THE FACTORY MOLDINGS AND INSTALL THE MUDGUARDS AS FOLLOWS: **(USE FRONT PAPER DRILLING TEMPLATE)**
 - 4.1. ROTATE FRONT WHEELS FOR ACCESS TO THE TIRE SIDE OF THE WHEEL WELL MOLDING.
 - 4.2. LOCATE AND TAPE THE TEMPLATE AGAINST THE TIRE SIDE OF THE MOLDING SO THAT IT MATCHES THE OUTBOARD, BOTTOM AND INBOARD EDGES. USING THE LOWER INBOARD CENTERLINE MARK ON THE TEMPLATE, DRILL A 1/16" DIA. HOLE THRU THE MOLDING. INSURE THIS POINT MATCHES THE CENTER OF THE STONE GUARD FASTENER. (RELOCATE THE TEMPLATE AND DRILL ANOTHER HOLE IF NECESSARY). THEN, DRILL TWO 5/16" DIA. CLEARANCE HOLES THRU THE PLASTIC MOLDING. **NOTE: DO NOT DRILL INTO THE STONE GUARD OR SHEET METAL FLANGE.**
 - 4.3. REMOVE TWO PLASTIC RATCHET FASTENERS. ONE FROM THE BOTTOM SIDE OF THE MOLDING UNDER THE ROCKER PANEL. THE OTHER ONE IS THE FIRST CLIP, ABOUT 14.00" UP, ON THE MOLDING FLANGE. PULL THE MOLDING OUTWARD, AND REMOVE FACTORY SCREWS THAT FASTEN THE STONE GUARD. (THESE FASTENERS ARE NOT REUSED).
 - 4.4. PUSH THE MOLDING BACK INTO POSITION AND INSTALL NEW RATCHET FASTENERS (ITEM 5) BACK INTO THE HOLES ON THE BOTTOM SIDE AND FACE OF THE MOLDING.
 - 4.5. POSITION THE MUDGUARD AGAINST THE WHEEL WELL MOLDING AND INSTALL (2) HEX HEAD SEM SCREWS (ITEM 3) AND 1/4" FENDER WASHER (ITEM 4). MOVE THE MUDGUARD IN OR OUT AS DESIRED, LEVEL THE MUDGUARDS AND TIGHTEN THE FASTENERS.

MOUNTING 250420 / 250423 MUDGUARDS ON REAR WITHOUT MOLDINGS: (SEE FIG. 3)

5. INSTALL THE MUDGUARDS AS FOLLOWS:
 - 5.1. REMOVE THE TWO FACTORY PLASTIC RATCHET FASTENERS THAT FASTEN THE STONE GUARD. (THESE FASTENERS ARE NOT REUSED).
 - 5.2. POSITION THE MUDGUARD AGAINST THE WHEEL WELL FLANGE AND INSTALL 1/4" X 1.25" BUTTON HEAD SOCKET SCREWS (ITEM 9), 1/4" FENDER WASHERS (ITEM 4) AND 1/4"-20 NYLOCK (ITEM 10) MOVE THE MUDGUARD IN OR OUT AS DESIRED, LEVEL THE MUDGUARDS AND TIGHTEN THE FASTENERS. CLAMP THE TOP OF THE MOUNTING BRACKET TO THE INNER WHEEL WELL PINCH WELD.



(A LIVERNE Company)

1200 E. Birch St.

Brandon, SD 57005

REV A 29DEC11
550189 SHEET 1 02JUL08

- 5.3. USING THE HOLE IN THE MOUNTING BRACKET AS A PILOT, DRILL A 3/16" DIA HOLE THRU THE WHEEL WELL PINCH WELD FLANGE AND FASTEN WITH A 1/4" X 3/4" HEX HEAD THREAD FORMING SCREW (ITEM 11).

MOUNTING 250420 / 250423 MUDGUARDS ON REAR WITH MOLDINGS: (SEE FIG. 4)

6. DRILL FASTENER CLEARANCE HOLES THRU THE FACTORY MOLDINGS AND INSTALL THE MUDGUARDS AS FOLLOWS: (USE REAR PAPER DRILLING TEMPLATE)
- 6.1. REMOVE THE TOP FACTORY PLASTIC RATCHET FASTENER THAT FASTENS THE STONE GUARD. THIS FASTENER IS LOCATED ABOUT 3-1/2" UP FROM THE BOTTOM OF THE MOLDING AND IS BETWEEN THE MOLDING AND THE METALLIC WHEEL WELL FLANGE. (SNIP THE FASTENER WITH A SIDE CUTTER AND THEN REMOVE).
- 6.2. REMOVE THE LOWER PLASTIC RATCHET FASTENER FROM THE **WHEEL WELL MOLDING**. (THIS FASTENER ATTACHES THE MOLDING TO THE METALLIC WHEEL WELL FLANGE AND IS NOT REUSED).
- 6.3. LOCATE AND TAPE THE TEMPLATE AGAINST THE TIRE SIDE OF THE MOLDING SO THAT IT MATCHES THE OUTBOARD, BOTTOM AND INBOARD EDGES. (**NOTE: THE TOP DRILLING HOLE MUST LINE UP WITH THE EXISTING HOLE IN THE MOLDING**). USING THE LOWER INBOARD CENTERLINE MARK ON THE TEMPLATE, DRILL A 1/16" HOLE THRU THE MOLDING. INSURE THIS POINT MATCHES THE HOLE IN THE METALLIC WHEEL WELL FLANGE. RELOCATE THE HOLE IF NECESSARY AND THEN DRILL A 5/16" DIA. CLEARANCE HOLE.
- 6.4. POSITION THE MUDGUARD AGAINST THE WHEEL WELL FLANGE AND INSTALL 1/4" X 1.25" BUTTON HEAD SOCKET SCREWS (ITEM 9), 1/4" FENDER WASHERS (ITEM 4) AND 1/4"-20 NYLOCK (ITEM 10) MOVE THE MUDGUARD IN OR OUT AS DESIRED, LEVEL THE MUDGUARDS AND TIGHTEN THE FASTENERS. CLAMP THE TOP OF THE MOUNTING BRACKET TO THE INNER WHEEL WELL PINCH WELD.
- 6.5. USING THE HOLE IN THE MOUNTING BRACKET AS A PILOT, DRILL A 3/16" DIA HOLE THRU THE WHEEL WELL PINCH WELD FLANGE AND FASTEN WITH A 1/4" X 3/4" HEX HEAD THREAD FORMING SCREW (ITEM 11).

TIGHTEN ALL FASTENERS

PARTS LIST

ITEM	PART NO.	QTY	DESCRIPTION
1	550185	1	MUDGUARD-,12X20,FORD F150,RH
2	550186	1	MUDGUARD-,12X20,FORD F150,LH
1	550187	1	MUDGUARD-,12X23,FORD F150,RH
2	550188	1	MUDGUARD-,12X23,FORD F150,LH
3	105514	4	SCREW-SEMS,HEX HD,M4.2-1.41 X 30MM
4	108521	6	WASHER-FENDER, 1/4 X 1", SST, BLK ZP
5	105515	4	RATCHET FSTNR, RND HD, NYLON, 1/4 X 1.00"
6	105516	6	SCR-TRUSS HD,XREC,SST 10-24 X 1.00
7	105511	6	WASHER-FLAT,SST,.203 X .625 X .062
8	107864	6	NUT-HEX,NYLOCK,SST,#10-24
9	108053	4	SCREW-BTN HD SOC, 1/4-20 X 1.25, SST, BZP
10	101325	4	NUT-HEX,NYLOCK,SST, 1/4-20
11	102694	2	SCREW-TF,AB,SST,1/4 X3/4
12	549927	1	BRACE-MOUNTING, SPLSHGRD, RH
13	549928	1	BRACE-MOUNTING, SPLSHGRD, LH



(A LUVERNE Company)

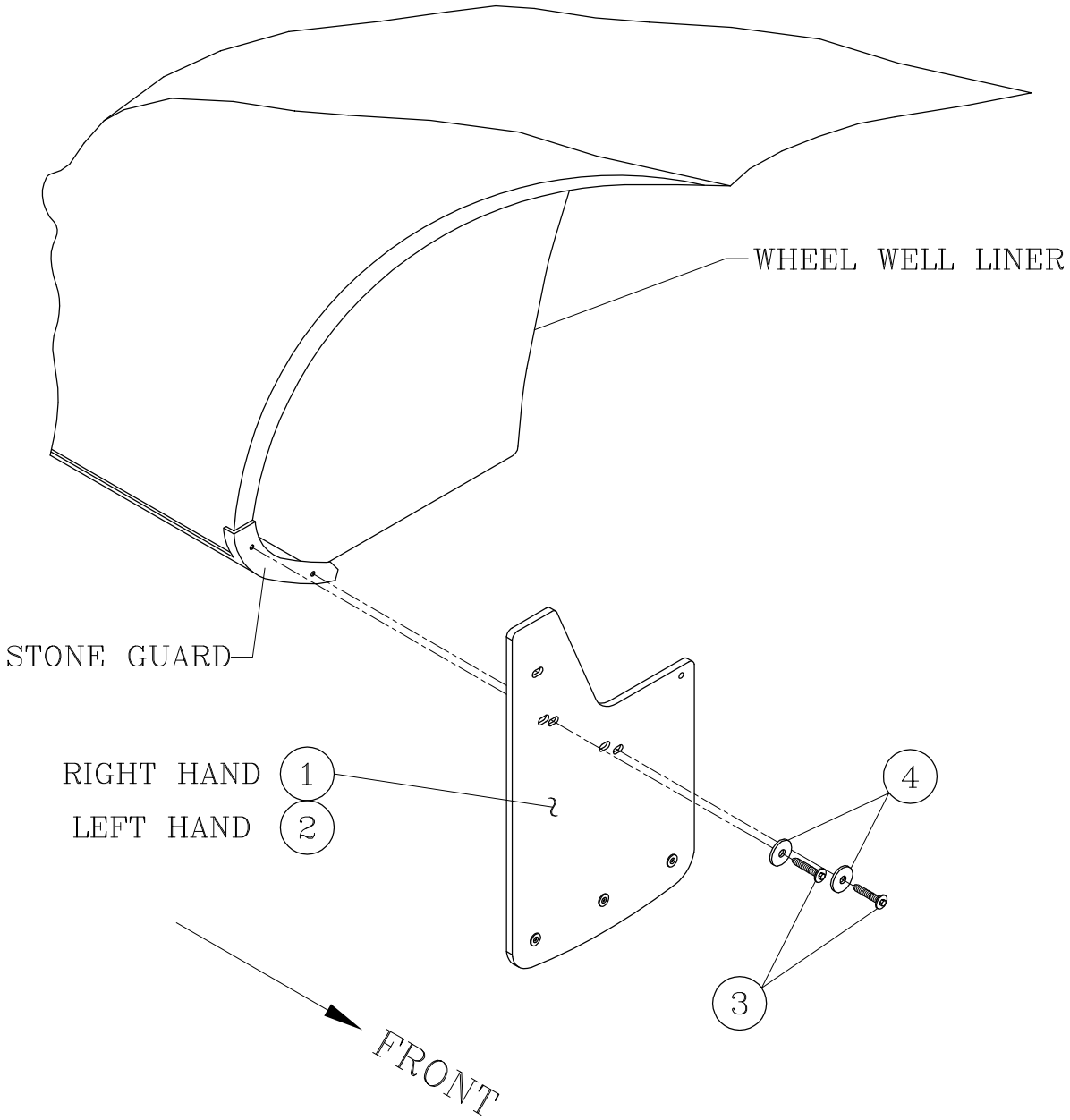
1200 E. Birch St.

Brandon, SD 57005

REV A 29DEC11
550189 SHEET 2 02JUL08

SERVICE PARTS LIST

2004 FORD F150
MODEL NO. - 250420 & 250423



FRONT INSTALLATION
WITHOUT WHEEL WELL MOLDINGS
RIGHT (PASSENGER) SIDE SHOWN



(A LUVERNE Company)

1200 E. Birch St.

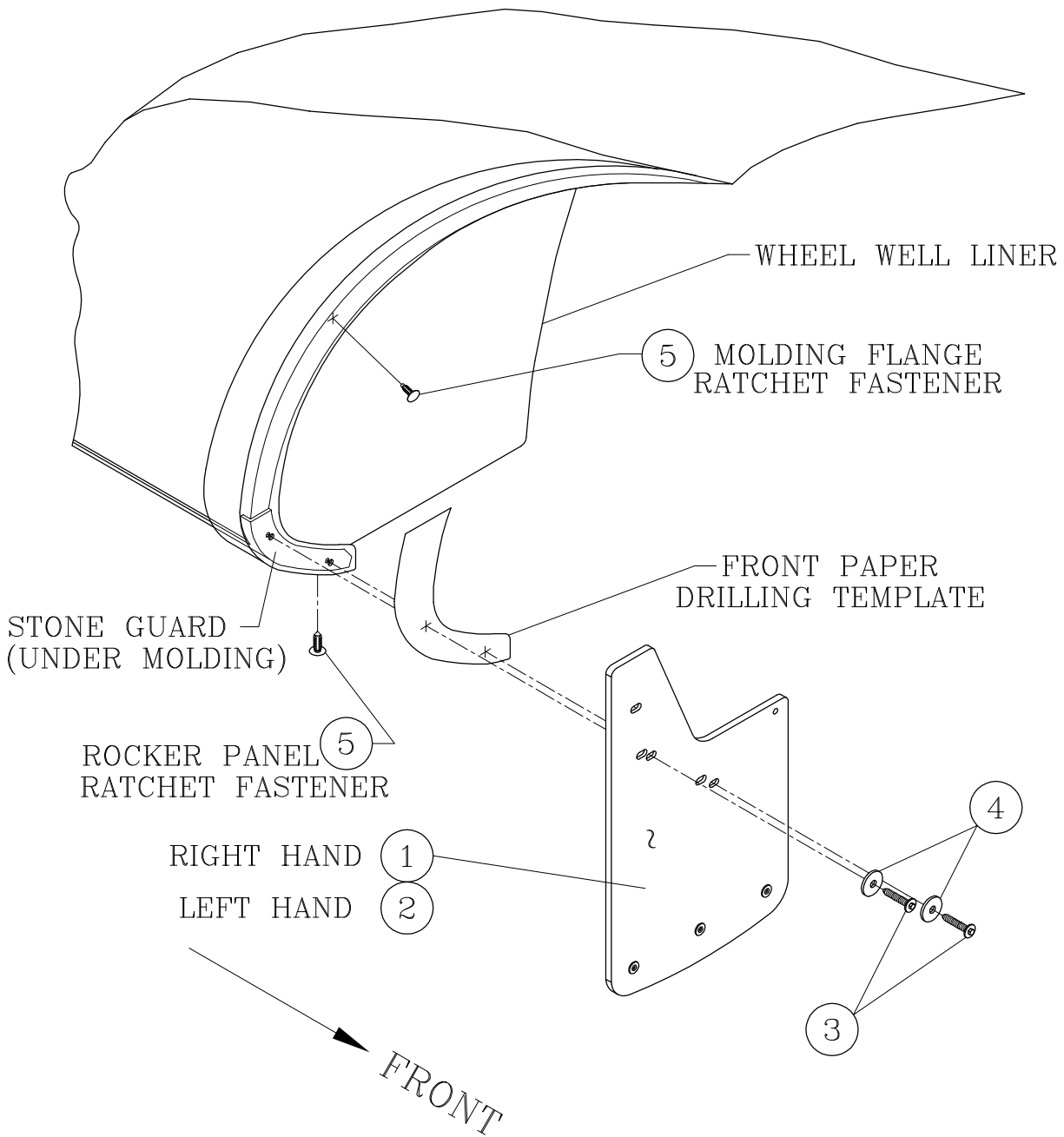
Brandon, SD 57005

fig. 1

REV A 29DEC11
550189 SHEET 3 02JUL08

SERVICE PARTS LIST

2004 FORD F150
MODEL NO. - 250420 & 250423



FRONT INSTALLATION
WITH WHEEL WELL MOLDING
RIGHT (PASSENGER) SIDE SHOWN

LIVERNE
TRUCK EQUIPMENT

(A LIVERNE Company)

1200 E. Birch St.

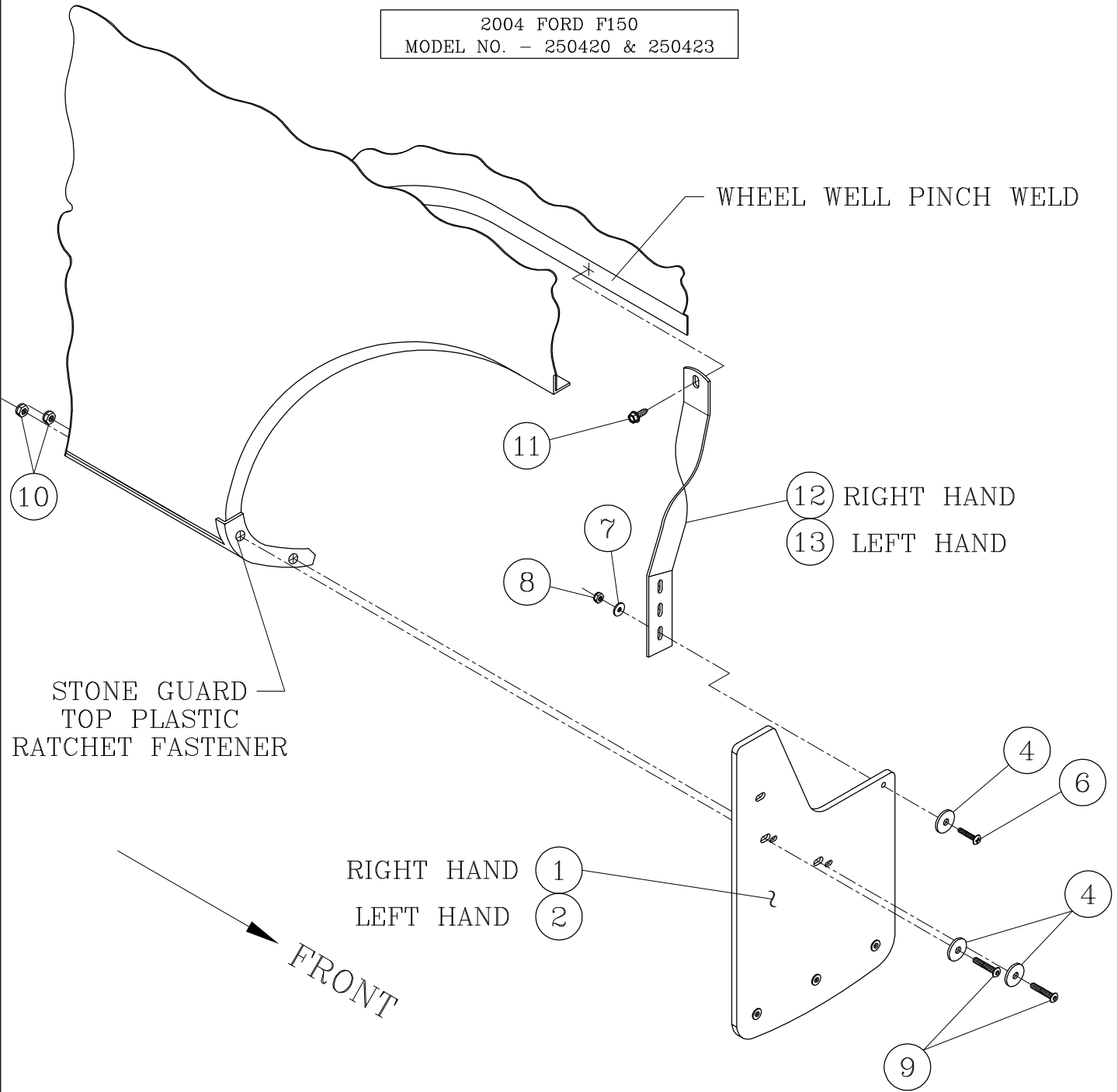
Brandon, SD 57005

fig. 2

REV A 29DEC11
550189 SHEET 4 02JUL08

SERVICE PARTS LIST

2004 FORD F150
MODEL NO. - 250420 & 250423



REAR INSTALLATION
WITHOUT WHEEL WELL MOLDINGS
RIGHT (PASSENGER) SIDE SHOWN

LIVERNE
TRUCK EQUIPMENT

(A LIVERNE Company)

1200 E. Birch St.

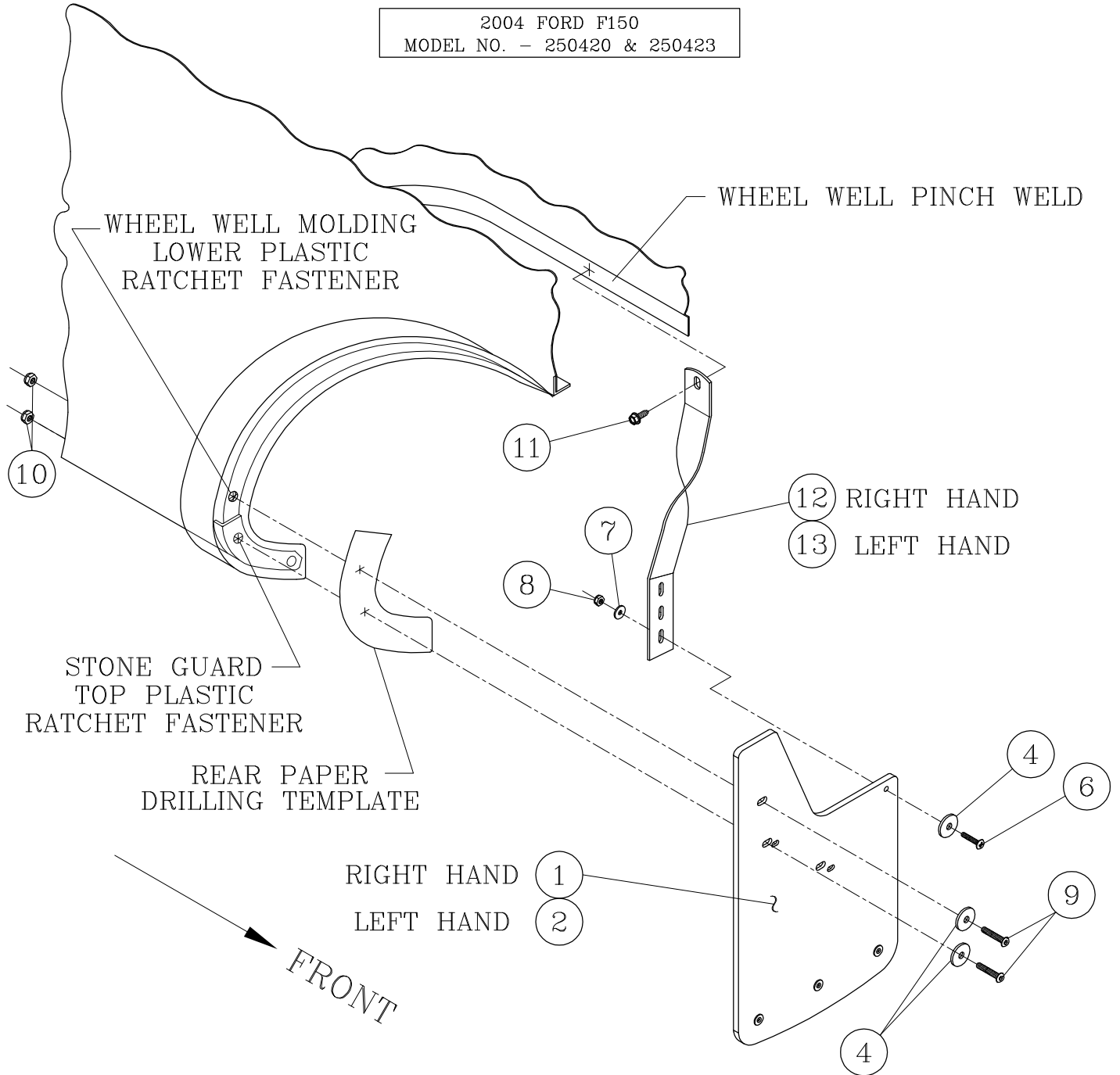
Brandon, SD 57005

fig. 3

REV A 29DEC11
550189 SHEET 5 02JUL08

SERVICE PARTS LIST

2004 FORD F150
MODEL NO. - 250420 & 250423



REAR INSTALLATION
WITH WHEEL WELL MOLDINGS
RIGHT (PASSENGER) SIDE SHOWN

LIVERNE
TRUCK EQUIPMENT

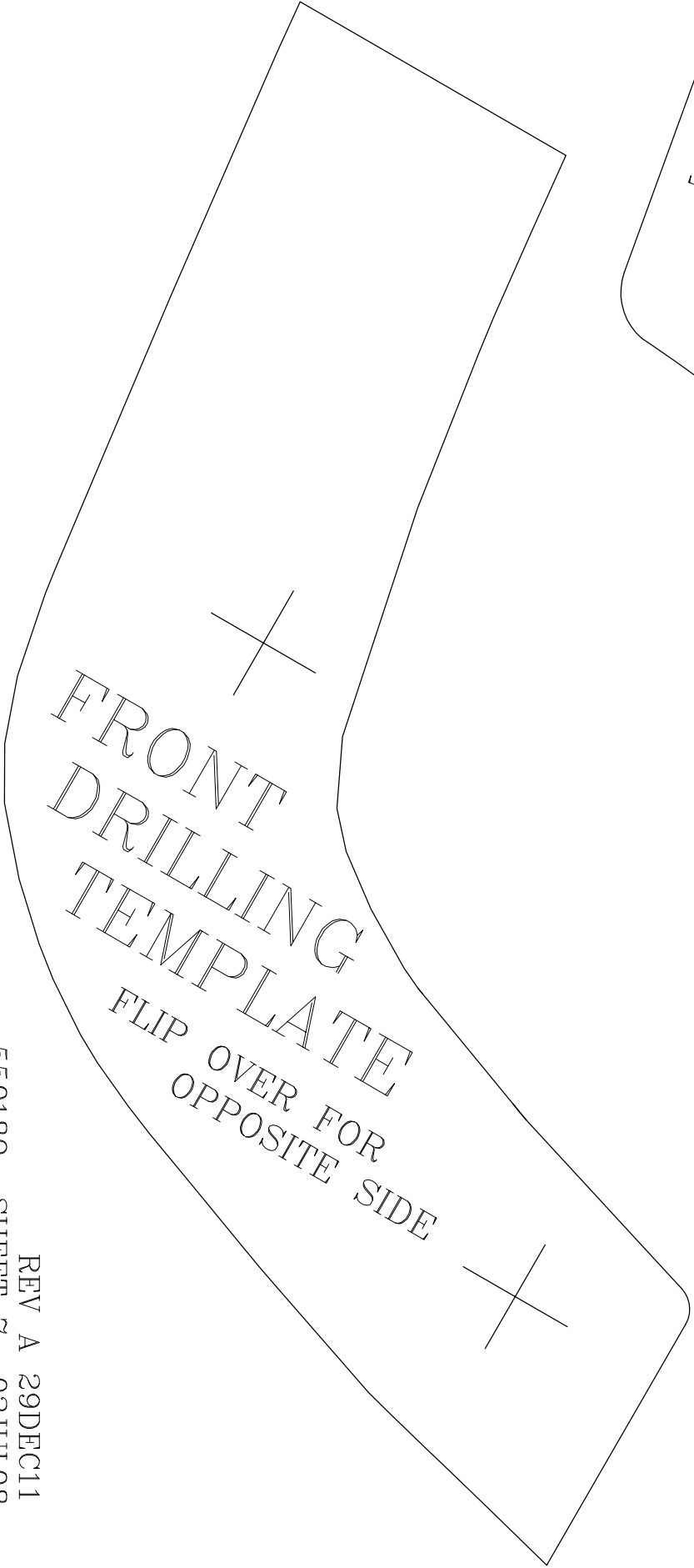
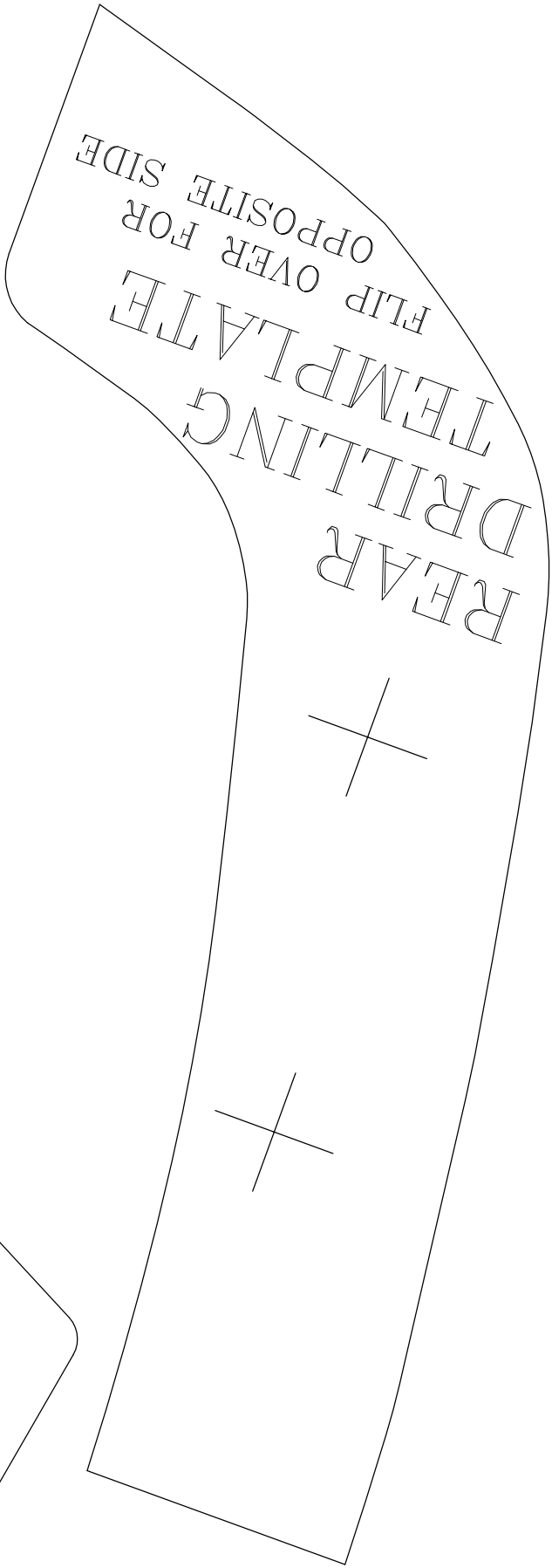
(A LIVERNE Company)

1200 E. Birch St.

Brandon, SD 57005

fig. 4

REV A 29DEC11
550189 SHEET 6 02JUL08



REV A 29DEC11
SHEET 7 02JUL08
550189