

EGR

INSTALLATION INSTRUCTIONS

Tools Required

Clean Dry Cloth	Soap & Water	Non-Permanent Marker
-----------------	--------------	----------------------

Pliers	#2 Phillips Head Screwdriver
--------	------------------------------



Cleaning Notes

- Spray with a firm water spray to remove any loose dirt.
- Wash with water, detergent and a soft cloth or sponge.
- Do not use petroleum based solvents or abrasives.

• For Technical Support/Warranty Information please call: 800-757-7075

MADE IN USA

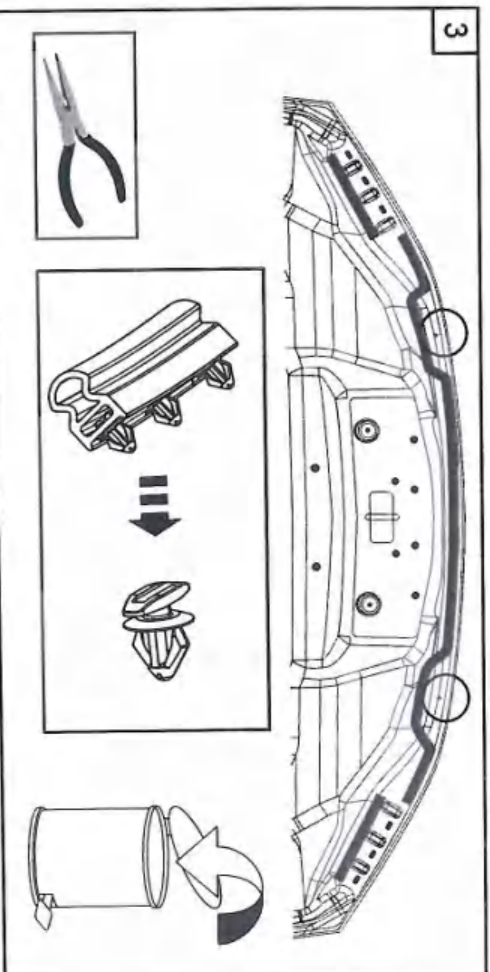
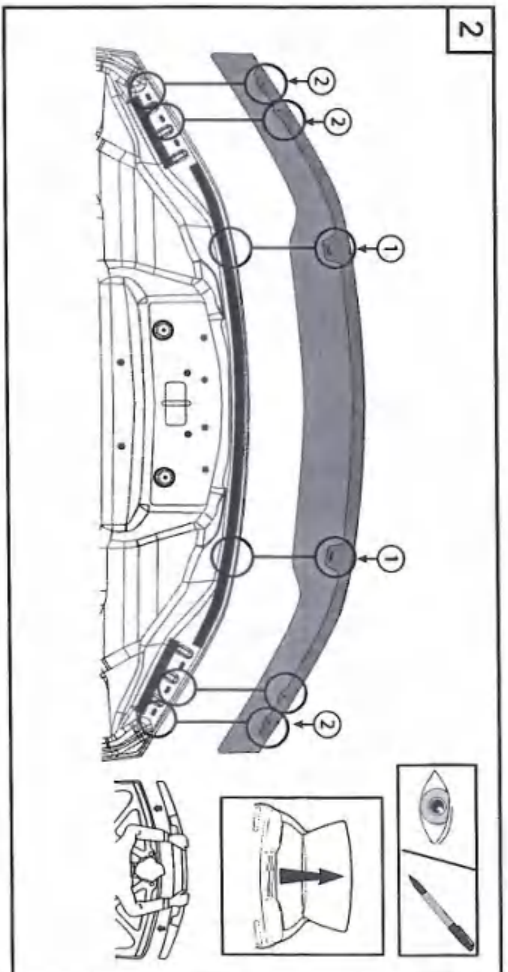
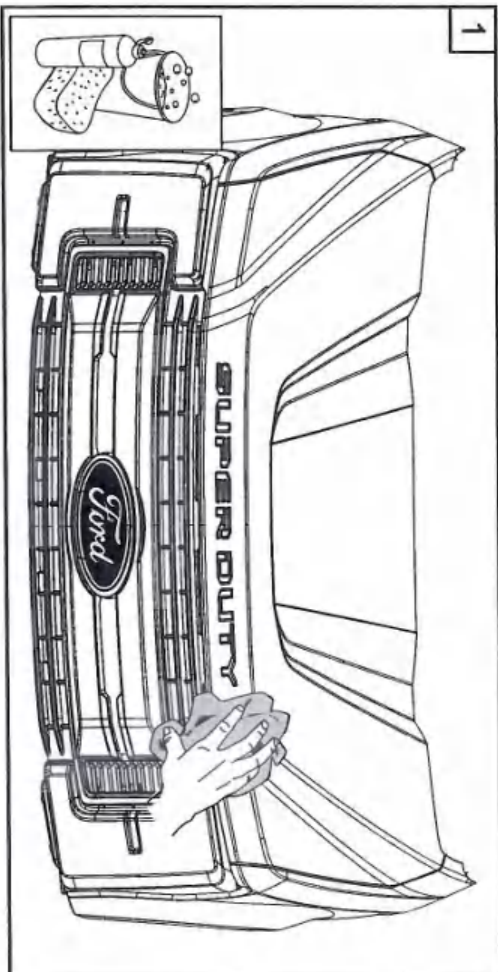
03-20-2017

1 • Wash the hood with a mild soap and water solution, then dry thoroughly.

2 • Open the hood. Trial fit the Hood Deflector centrally onto the hood.

With a non-permanent marker, mark the positions of the two acrylic tag slots in the Hood Deflector and where they correspond to the rubber extrusion retaining plugs (1).
Mark the positions of the four holes in the Hood Deflector and where they correspond with the hood lip (2).
Remove the Hood Deflector.

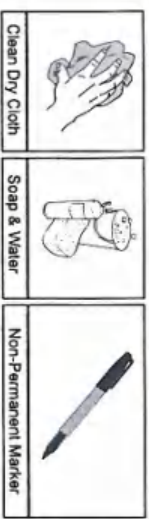
3 • Pull back the rubber extrusion at noted positions and using pliers remove the rubber extrusion retaining plugs from the hood and seal and discard.



EGR

INSTALLATION INSTRUCTIONS

Tools Required



Cleaning Notes

- Spray with a firm water spray to remove any loose dirt.
- Wash with water, detergent and a soft cloth or sponge.
- Do not use petroleum based solvents or abrasives.

• For Technical Support/Warranty Information please call: 800-757-7075

MADE IN USA

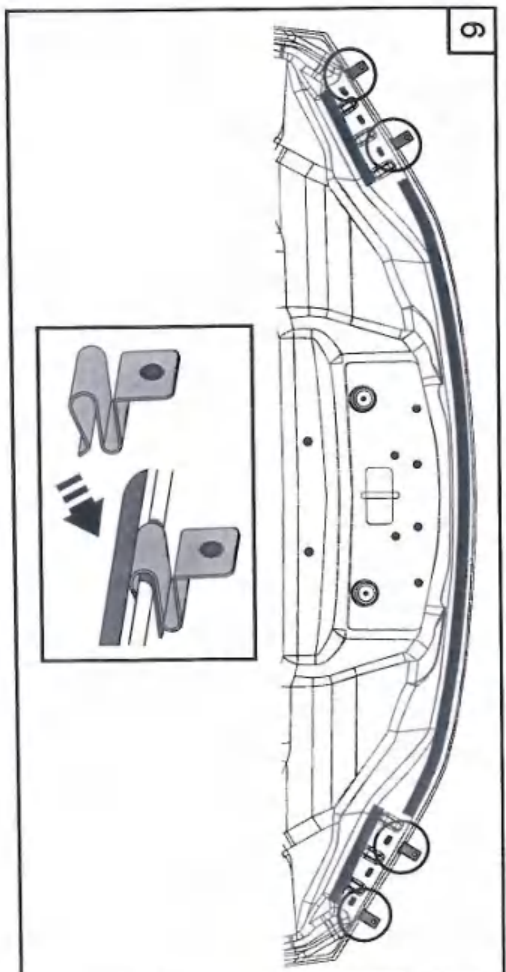
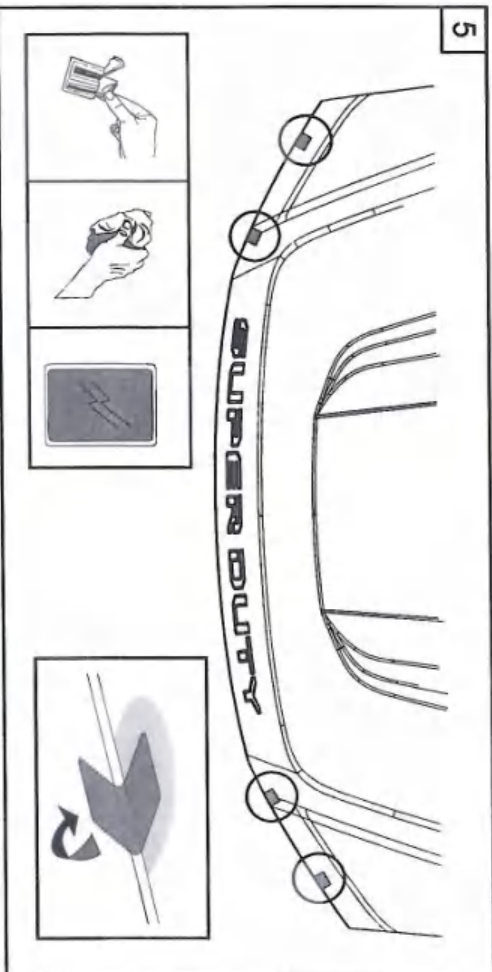
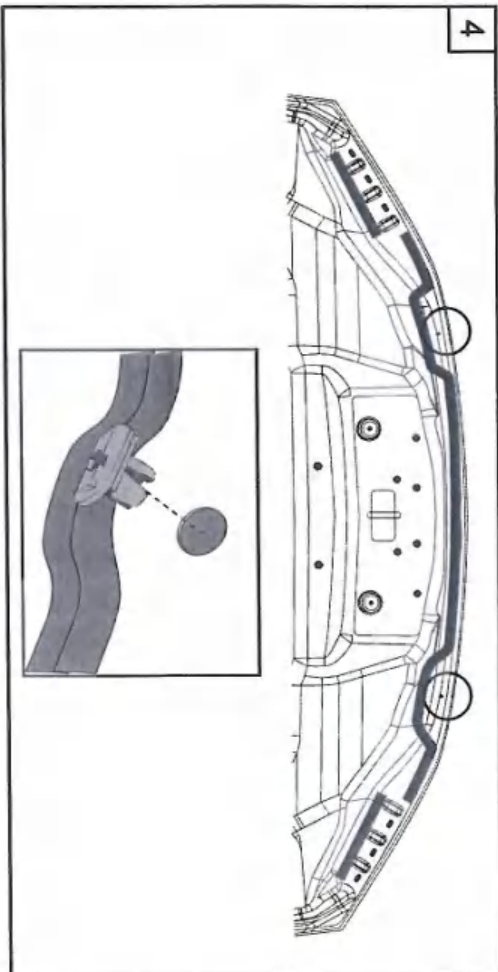
03-20-2017

4• Insert the two screw plugs into the vacated holes in the hood.

5• Clean the four noted outer wing areas with alcohol prep pad provided. Wipe off any residue with a dry clean cloth.

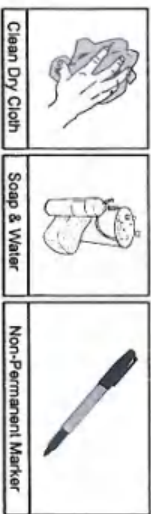
Adhere the abrasive resistant tape strips over the hood lip. Apply tape so approximately half of each strip is adhered to the topside and half is adhered to the underside of hood.

6• Press the four push-on metal clips onto the hood, locating the clips over the abrasive resistant tape strips on the hood lip.
IMPORTANT: Ensure that the clips are positioned over abrasive resistant tape and do not come in contact with any of the hood's paint work. Failure to do this may result in permanent paint damage.



EGR INSTALLATION INSTRUCTIONS

Tools Required



Cleaning Notes

- Spray with a firm water spray to remove any loose dirt.
- Wash with water, detergent and a soft cloth or sponge.
- Do not use petroleum based solvents or abrasives.

• For Technical Support/Warranty Information please call: 800-757-7075

MADE IN USA

03-20-2017

7- Install the hood deflector onto the hood ensuring that the collar of the screw plugs locate into and parallel with the slots in the hood protector tags. While maintaining thumb pressure against the underside of the hood protector, insert the two screws through the washers into the screw plugs. Do not fully tighten yet. Ensure the hood deflector is centralised on hood then fully tighten screws. Note the hood deflector acrylic tags should be sitting underneath the rubber trim.

8- Secure the hood deflector to the outer wing clips with the small screws and washers provided.

Important: Do not overtighten screws.

9- Apply abrasive resistant tape to the top surface of the Head Lights below the four clip positions.

Ensure tape is directly below the clips and the clips do not contact the head lights.

Adjust bump stops if required to increase hood clearance to grille and headlights.

