

07/07/2020

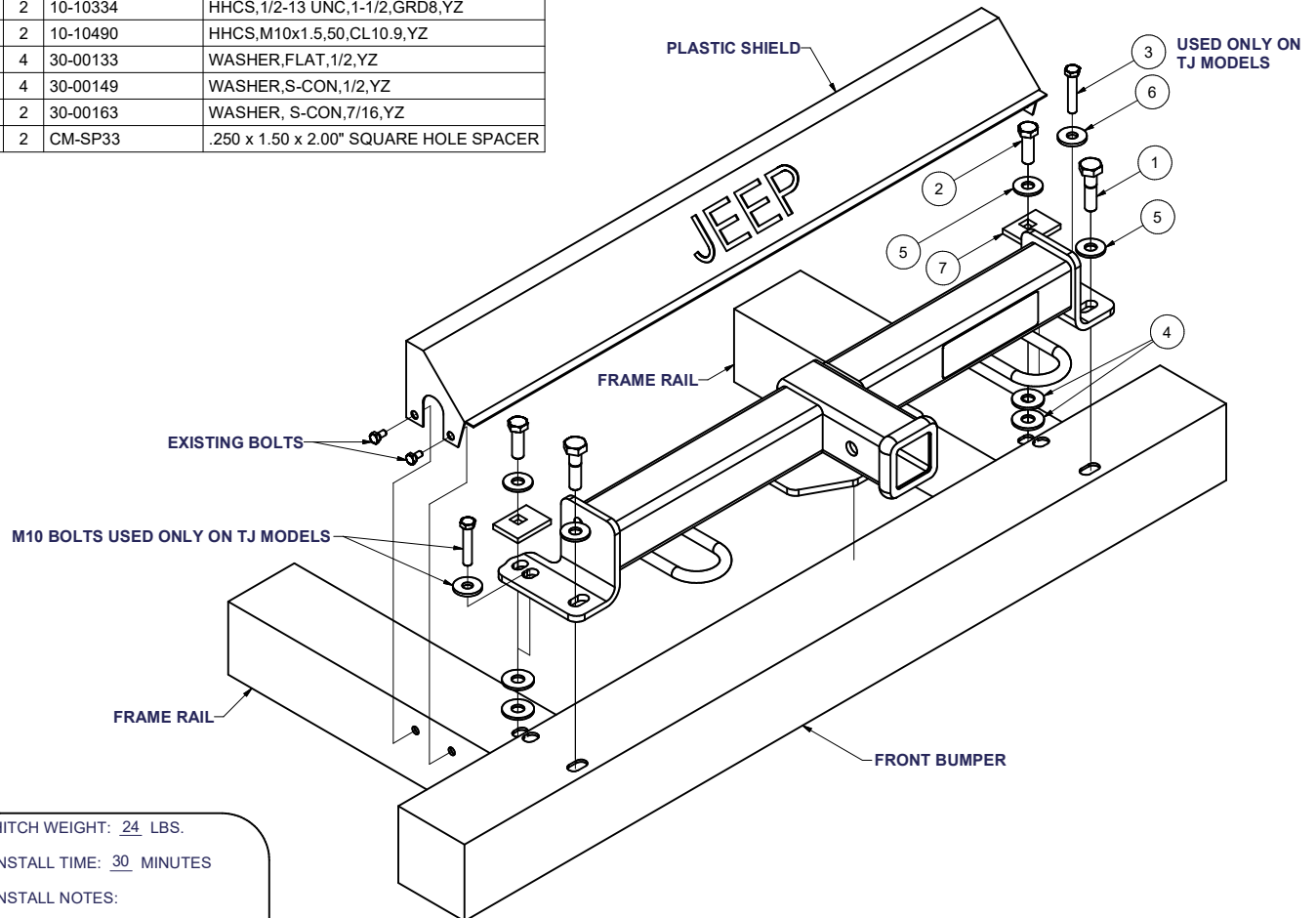
31408

JEEP WRANGLER YJ / TJ

GROSS LOAD CAPACITY WHEN USED AS A WEIGHT CARRYING HITCH: 3500 LBS. TRAILER WEIGHT & 350 LBS. TONGUE WEIGHT.
GROSS LOAD CAPACITY WHEN USED AS STRAIGHT LINE PULL: 9000 LBS. MAX. LINE PULL.

DO NOT EXCEED VEHICLE MANUFACTURER'S RECOMMENDED TOWING CAPACITY.***

Parts List			
ITEM	QTY	PART NUMBER	DESCRIPTION
1	2	10-10286	HHCS, 1/2-13 UNC, 2, GRD8, YZ
2	2	10-10334	HHCS, 1/2-13 UNC, 1-1/2, GRD8, YZ
3	2	10-10490	HHCS, M10x1.5, 50, CL10.9, YZ
4	4	30-00133	WASHER, FLAT, 1/2, YZ
5	4	30-00149	WASHER, S-CON, 1/2, YZ
6	2	30-00163	WASHER, S-CON, 7/16, YZ
7	2	CM-SP33	.250 x 1.50 x 2.00" SQUARE HOLE SPACER



HITCH WEIGHT: 24 LBS.
INSTALL TIME: 30 MINUTES
INSTALL NOTES:
NO DRILLING REQUIRED
REMOVE TOW HOOKS

INSTALLATION STEPS

- 1) Remove plastic shield between bumper and grill by removing the (4) mounting bolts.
- 2) Remove (2) Torx bolts (4 if vehicle is equipped with tow hooks) from the bumper, discard bolts and return tow hooks to customer.
- 3) Remove the front two bolts holding the sway bar to the frame and discard.
- 4) Position hitch on the front bumper and secure with hardware provided as shown.
- 5) Torque all 1/2" fasteners to 110 lb-ft and all 10mm fasteners to 45 lb-ft.
- 6) Reinstall plastic shield removed in step 1.

Note: Shield may require trimming, consult customer before cutting.

PERIODICALLY CHECK THIS RECEIVER HITCH TO ENSURE THAT ALL FASTENERS ARE TIGHT AND THAT ALL STRUCTURAL COMPONENTS ARE SOUND.

*****DO NOT EXCEED VEHICLE MANUFACTURER'S RECOMMENDED TOWING CAPACITY*****.

FRONT MOUNTED ACCESSORIES

1) Do not exceed front axle Gross Weight Rating (GAWR). Consult owners manual or specification plate located on driver's door frame. Measure gross front axle weight by placing front wheels of loaded vehicle on a scale.

WARNING: Exceeding GAWR may overload the front axle and/or suspension. This could result in **accident, property damage and personal injury.**

- 2) Reposition front mounted license plate if obstructed.
- 3) Do not obstruct vehicle lights.
- 4) Allow free air flow into grille opening.
- 5) Rear wheel traction may be reduced. This could effect handling. Reduce speed and drive with caution.
- 6) Accessories extend front of vehicle. This may reduce approach angle. Use caution when parking and maneuvering.
- 7) Do not obstruct driver view.

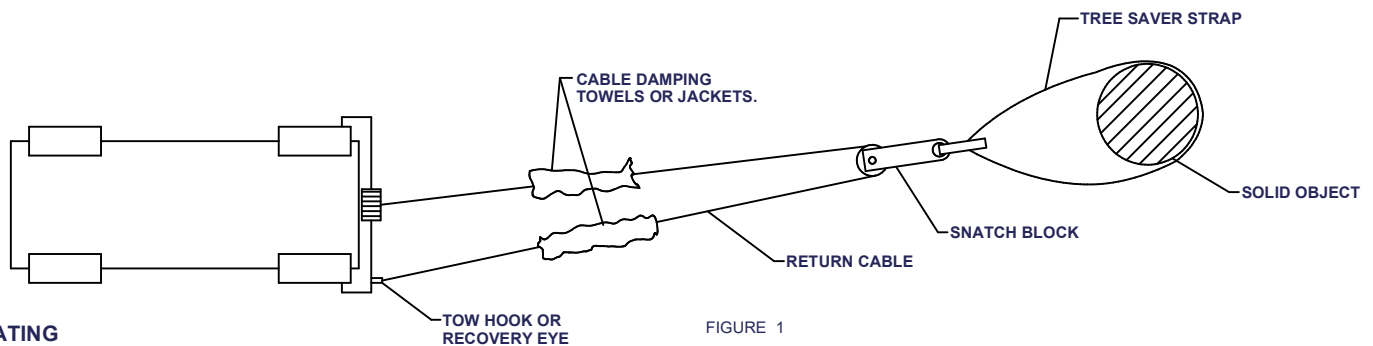
VEHICLE RECOVERY AND WINCHING TIPS

1) Use OEM tow hooks, recovery eyes or a clevis mount for attachment of a tow strap or winch cable.

WARNING: NEVER use a ball and/or ball mount as an anchor point for tow strap or winch cable. Severe personal injury or death could result.

- 2) Observe winch manufacturer's recommendations, cautions and warnings.
- 3) Attach return cable to tow hook or recovery eye when using a snatch block (See figure 1).

CAUTION: Do not attach return cable to winch mount. This may overload winch mount and/or front mounted receiver.



RATING

For **Maximum** line pull rating, winch cable must not exceed:

- 15 degree angle up or down from horizontal (See Figure 2).
- 45 degree angle left or right from straight ahead (See Figure 3).

CAUTION: Exceeding the maximum line pull rating may over load winch, winch mount, and/or front mounted receiver.

