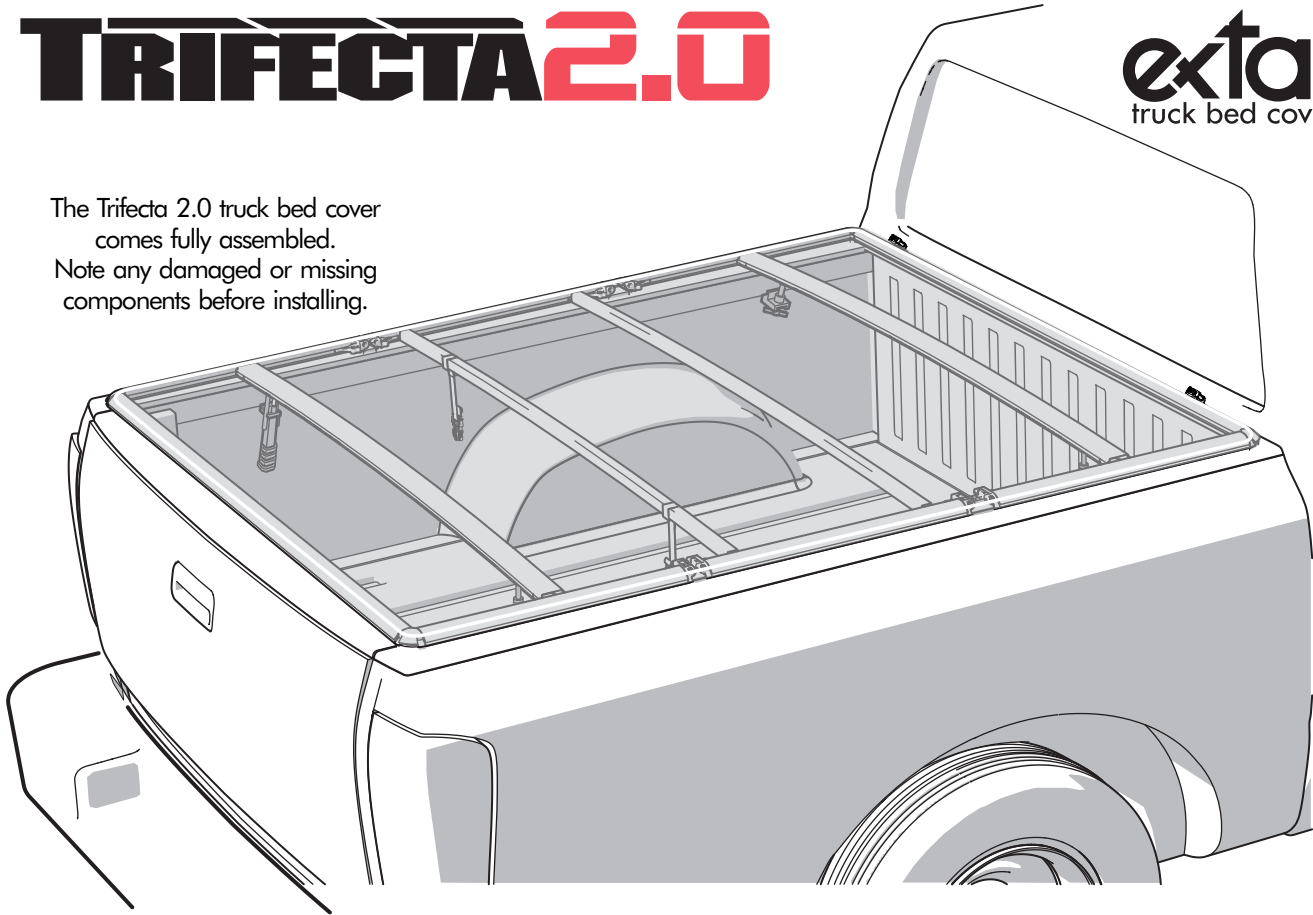


INSTALLATION SHEET '06-'15 Ridgeline & International

TRIFECTA 2.0

extang
truck bed covers

The Trifecta 2.0 truck bed cover comes fully assembled.
Note any damaged or missing components before installing.

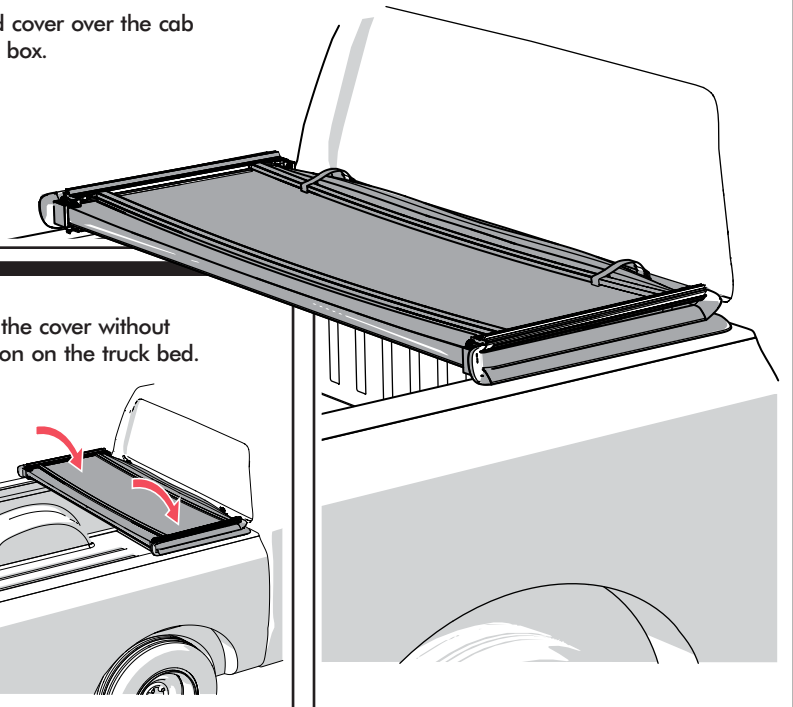


MISSING PARTS??? call Extang at **1-800-877-2588**
Any required parts will be shipped to you directly. (DO NOT return whole kit to store)

1 It is important that all areas where the bed cover mounts are clean and free of debris prior to installing.

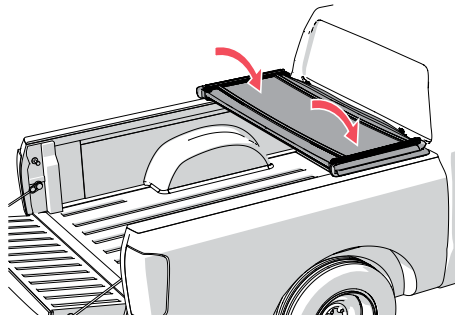
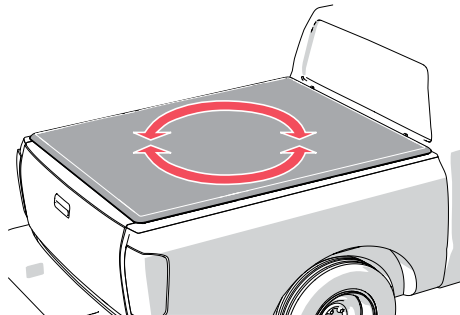


2 Place assembled cover over the cab end of the truck box.



3 Unfold the cover fully and adjust position over the truck bed for proper front (cab)/rear (tailgate) alignment.

Carefully refold the cover without shifting its position on the truck bed.



Extang Corporation
5400 S. State Road
Ann Arbor, MI 48108
734-677-0444, Fax: 734-677-8409



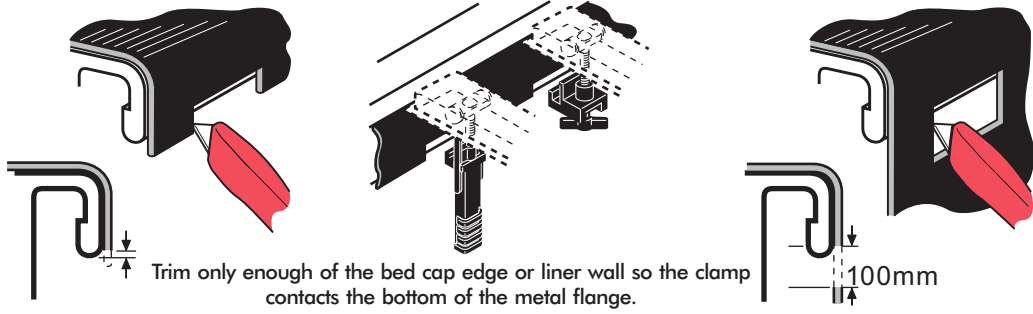
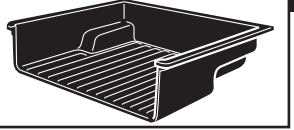
3 1 9 2 0 9 5 0 - 3 0

TRUCK HERO
company

Item No. 31920950-30 03.17 DD
© Extang, Corp., 2017. Printed in USA

4

If your truck has a bed cap or bedliner that covers the metal bed wall flange, you will need to remove enough so that all the clamps make solid contact.

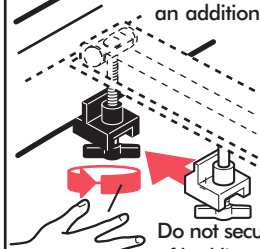


Trim only enough of the bed cap edge or liner wall so the clamp contacts the bottom of the metal flange.

100mm

5

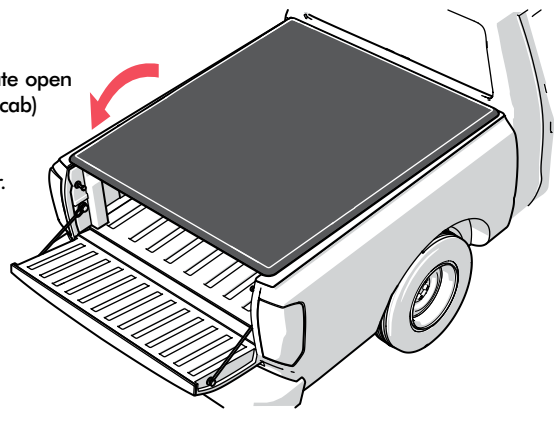
Ensure front clamp is positioned under bed wall flange. Hand tighten until clamp contacts, then tighten an additional two turns.



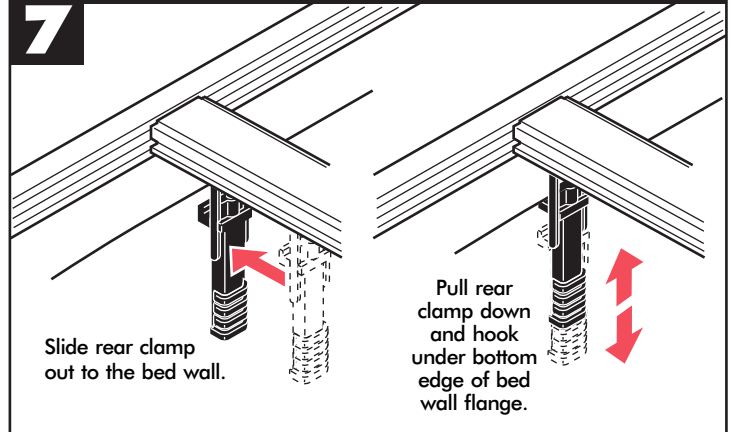
Do not secure to only lip of bed liner or wall cap. **Do Not Use a Wrench or Overtighten.**

6

With the tailgate open and the front (cab) clamps secure, completely close the cover.



7

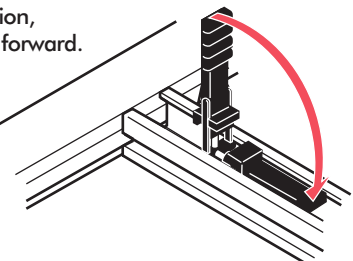
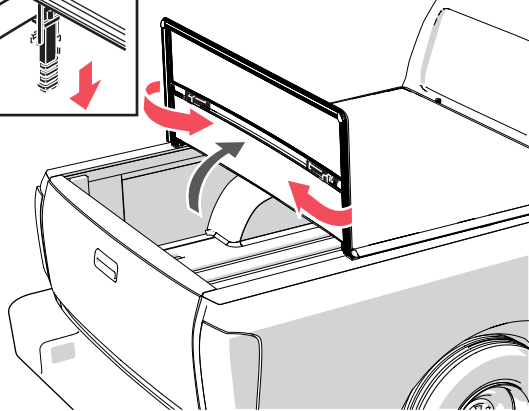
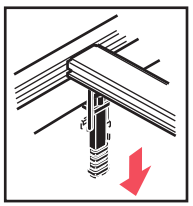


Slide rear clamp out to the bed wall.

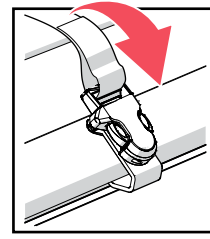
Pull rear clamp down and hook under bottom edge of bed wall flange.

8

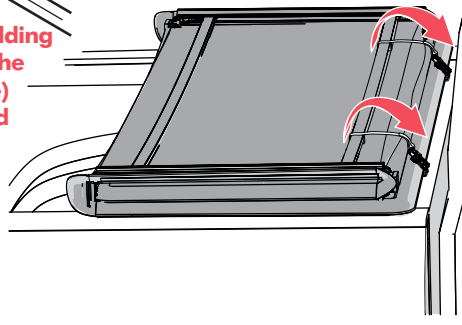
To prepare the Trifecta 2.0 to drive in the open position, release the rear (tailgate) clamps and fold the cover forward.



IMPORTANT: Before folding the second section of the over, the rear (tailgate) clamps must be stowed securely into the rail.



Fold the cover forward and fasten BOTH straps in the middle section to the front rail.



IMPORTANT NOTICE

While driving, cover must be completely flat and secure with all four clamps in the closed position or completely folded up (all panels) and secured at the cab. **DO NOT DRIVE** with cover in partially opened position.



Remove any snow or foreign matter before folding cover.



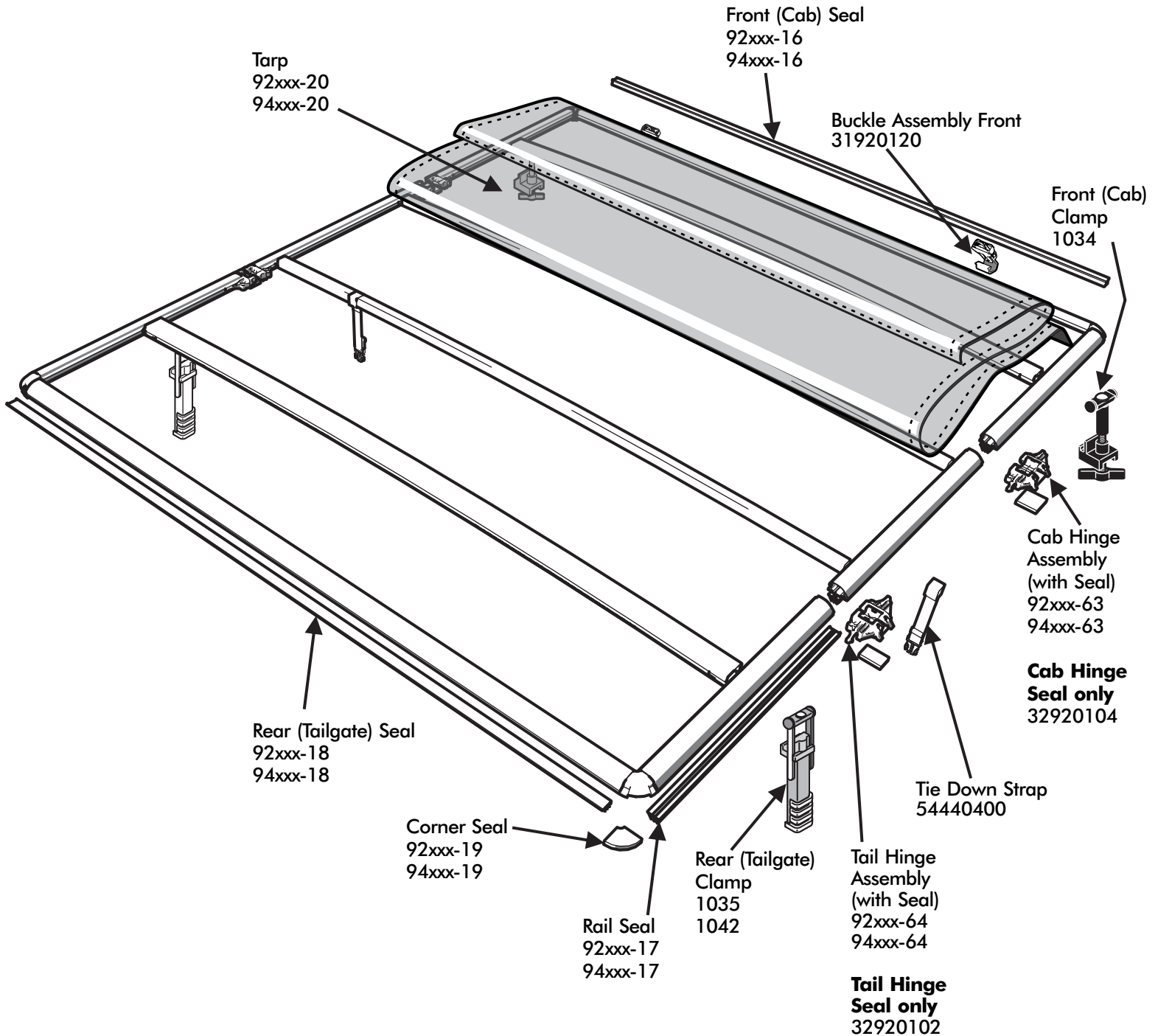
Do NOT tow your vehicle from the rear with any Extang bed cover on your truck



TRIFECTA 2.0

Replacement Parts

NOTE: To order replacement parts, it's best to contact our Customer Service Department for assistance, to ensure getting the correct part for your vehicle application. When ordering, xxx represents the 3-digit suffix, as referenced on the sales receipt or vehicle application list. Customer Service Department: 800-877-2588.



Specify: Year, Make, Model, bed length, Driver or Passenger side.
Call Customer Service if frame or bow sections are required.

MAXIMUM STRENGTH WARRANTY

LIFETIME FRAME & TARP

MAXIMUM STRENGTH WARRANTY LIFETIME FRAME & TARP

FOR THE FOLLOWING TRUCK BED COVERS: REVOLUTION, EXPRESS, TRIFECTA, TRIFECTA 2.0 & EMAX

WARRANTY DURATION

Lifetime Frame – Extang offers a LIFETIME warranty against defective materials or workmanship on the Trifecta 2.0, Trifecta, eMAX, Revolution and Express rails, aluminum components, clamps, bows, hardware.

Lifetime Tarp – Extang offers a LIFETIME warranty against defective materials or workmanship on the Trifecta 2.0, Trifecta, eMAX, Revolution and Express vinyl covering. The warranty applies to the original consumer /purchaser. Warranty registration must be on file and/or proof of original purchase (detailed and dated receipt) required for warranty to be effective. Warranty coverage starts from the date of purchase.

WARRANTY CONDITIONS

This warranty is against defective materials or workmanship. The warranty is void if the product has been damaged by accident, unreasonable use, neglect, improper service/installation/removal, modifications, normal wear and tear or other causes not arising out of defective materials or workmanship. Interference with this product with other installed accessories or trailers is not covered. Consequential and incidental damages are not covered under this warranty.

THE FOLLOWING CONDITIONS WILL ALSO VOID THE WARRANTY

■ **Wind whip damage** - Tarps must be secured at all points when vehicle is in motion. An unsecured tarp will flap, resulting in damage to the fabric.

■ **Improper cleaning** - It is recommended to use the tested and approved Extang Tonno Tonic™ or clean with soap and water only. Do not use vinyl conditioners (i.e. Armor All®) because they will shrink the vinyl.

■ **Overloading of cargo** - Cargo should not touch the tonneau's tarp at any point. Protrusions in the tarp will stress the fabric. Cargo may shift while traveling and cause it to push against the tarp fabric and damage it.

■ Do NOT tow your vehicle from the rear with any Extang tonneau cover on your truck.



PERFORMANCE

Provided all warranty conditions are met Extang will either repair or replace (at Extang's option) the product or component. Extang may require the original item to be returned postage prepaid for final determination. Extang reserves the right to substitute and offer the respective warranty discount on an entire replacement system or provide other remedies than those listed in this warranty for discontinued products or other reasons. A return authorization number must be obtained from our customer service department prior to returning any product. Shipping charges will apply for any repair or replacement. This warranty gives you specific legal rights and you may also have other legal rights which vary from state to state.

REPLACEMENT PARTS

Every truck bed cover is specifically designed to fit your truck. Please contact Extang customer service at 800-877-2588 or email us at info@extang.com to have a specialist assist you with the correct part for your Extang truck bed cover.

TRIFECTA 2.0



TRIFECTA



e-MAX TONNO



Revolution TONNO



EXPRESS TONNO



HELPFUL ACCESSORIES

e-LIGHT 500



The e-LIGHT 500 is an all-new revolutionary lighting system that fully illuminates the entire bed of your truck with ease. Universal in nature, the e-LIGHT 500 has been designed to work from any location inside the truck bed, and can be recharged on the go.

TONNO TONIC



The industry's first powerful UV protectant specifically formulated for vinyl truck bed covers, Tonno Tonic beautifies, cleans and protects all in one easy step.

MAXSEAL TAILGATE SEAL



The MaxSeal Tailgate Seal creates a tight seal along sides and bottom of your tailgate to keep out dust, rain and snow. Quick and easy to install: just cut, peel and stick.

TRUCK ACCESSORIES



RECOMMENDED
BY EXTANG

BEDRUG

NEXT GENERATION BEDLINERS

ULTIMATE TRUCK BED PROTECTION

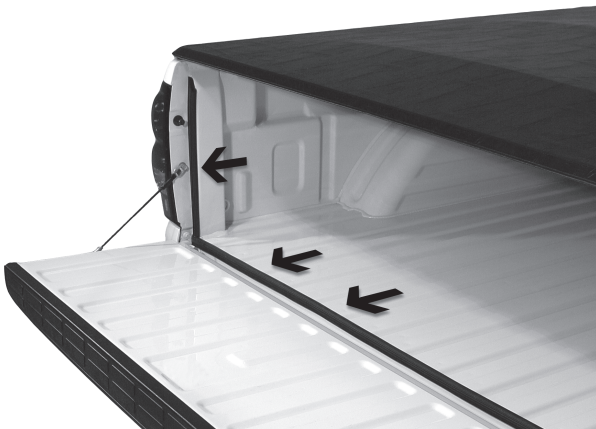
BedRug is a pioneer and industry leader in the development and manufacturing of molded, closed cell polypropylene foam bed liners. Bed liners protect the truck bed from daily wear-and-tear and improve the vehicle's general appearance and utility, extending the useful life and resale value of the truck. For more information call customer service at 800-462-8435 or visit: bedrug.com



e-LIGHT 500

RECHARGEABLE TRUCK BED UTILITY LIGHT

Mounts to your Extang tonneau. The e-LIGHT 500 is an all-new revolutionary lighting system that fully illuminates the entire bed of your truck with ease. Universal in nature, the e-LIGHT 500 has been designed to work from any location inside the truck bed, and can be recharged on the go.



UNIVERSAL FIT TAILGATE SEAL

Keeps dust, rain and snow out of truck bed. Creates a tight seal along sides and bottom of your tailgate. Can be used with any style tonneau cover and on all truck makes and models. Straight forward do-it-yourself installation. Just cut, peel and stick.

SOMETHING DAMAGED? MISSING PARTS?

CALL US FIRST

800-877-2588

WE CAN HELP YOU QUICKLY
AND EASILY OVER THE PHONE

Experienced Customer
Service staff are available
to answer all your truck
bed cover questions

CUSTOMER SERVICE
8:30 TO 5 EST,
MONDAY - FRIDAY



Tonno Model: _____

Purchase Date: _____

Lot Code: _____

Lot code can be found on underside of cover.