

# Big Tex Grille Guard

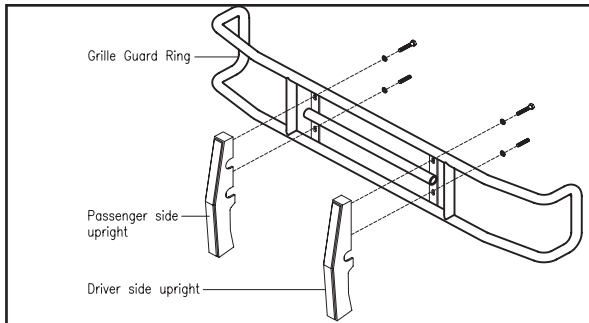
Installation Instructions

## 77735 & 77735B

Chevy Silverado 1500

'07 - '13

**Some models without tow hooks, will require the plastic tow hook pocket to be trimmed for bracket clearance.**



**Diagram 1**

**Parts List:**

1 - Grille Guard Ring	10 - 1/2" x 1 1/2" Bolts
1 - Driver Side Upright	10 - Flat Washers
1 - Passenger Side Upright	10 - 1/2" Lock Washers
1 - Driver Top Bracket #77735-5	2 - M10 x 40mm Bolts
1 - Pass. Top Bracket #77735-6	2 - M10 Flat Washers
2 - Bottom Brackets #77735-7	
2 - Spacers	<b>*May include extra hardware.</b>
2 - Threaded plates #77699-9	

**Note: Completely read instructions before beginning installation!**

1. Remove the contents from the box and check for missing pieces or damage. If parts are missing or damaged, contact the original place of purchase.
2. Open the hood on the truck. Locate the factory radiator cover and the plastic rivets attaching the cover, using **Diagram 2**. The plastic rivets need to be removed by using a flat head screwdriver to pull up on the middle of the pop rivets. Remove the bottom part of pop rivet by placing a screwdriver under the bottom and push up. Repeat this procedure to remove all pop rivets. Do not remove factory grille.
3. Locate the top driver bracket #77735-5 for installation at this time. Using **Diagram 3** locate the factory bumper bolt closest to headlight and remove. Place a spacer provided in kit, between the bracket and the bumper. Place the 10mm bolt in kit through bracket, spacer and into threads in bumper. Hand Tighten at this time. Place the top driver bracket #77735-5 over the bolt hole opening. Replace the factory bumper bolt through the top bracket and into the bolt hole. The bracket will be right on top of the bumper and will be in between the grille and bumper when install is complete. Hand tighten this bolt at this time.
4. Locate the top passenger bracket #77735-6 and repeat step number 3 for the passenger side.
5. Locate the driver and passenger bottom brackets # 77735-7 for installation at this time. On the driver side remove the nut on the tow hook bolt referring to **Diagram 5**. Place the bracket #77735-7 up to bolt and replace nut, the bracket will be on the outside of the frame. On passenger bottom bracket #77735-7, the tow hook bolt will have to be removed. Place bracket onto the outside of the frame then replace bolt through frame and tow hook. Leave loose at this time. If the vehicle does not have factory tow hooks the tow hook substitute brackets #77699-9 will need to be used. The brackets #77699-9 will need to be slide inside the frame and (1) 1/2" x 1 1/2" bolt with (1) 1/2" lock washer and (1) 1/2" flat washer inserted through the lower brackets and then threaded into the #77699-9. Some trucks with and without tow hooks may need the tow hook pocket cover and surrounding area removed or trimmed for bracket clearance. This does not apply to all vehicles.
6. Align the grille guard upright holes to the top and bottom bracket holes. Attach the grille guard uprights to the top and bottom brackets using (2) 1/2" x 1 1/2" bolts, (2) 1/2" flat washers (2) 1/2" lock washers, per upright. The uprights will have the cross tube notches facing inside and each other when orientated properly. Hand tighten all bolts at this time.
7. Using **Diagram 1**, assemble the grille guard ring to the uprights using (4) 1/2" x 1 1/2" bolts, (4) 1/2" flat washers, and (2) 1/2" lock washers. Hand tighten all bolts at this time.
8. Center the grille guard on the vehicle. Tighten all bolts at this time insuring the grille guard remains centered on vehicle.
9. Locate radiator cover and plastic rivets removed on step one. Align radiator cover with rivet holes. Reinstall rivets into cover, which is reverse of step one.

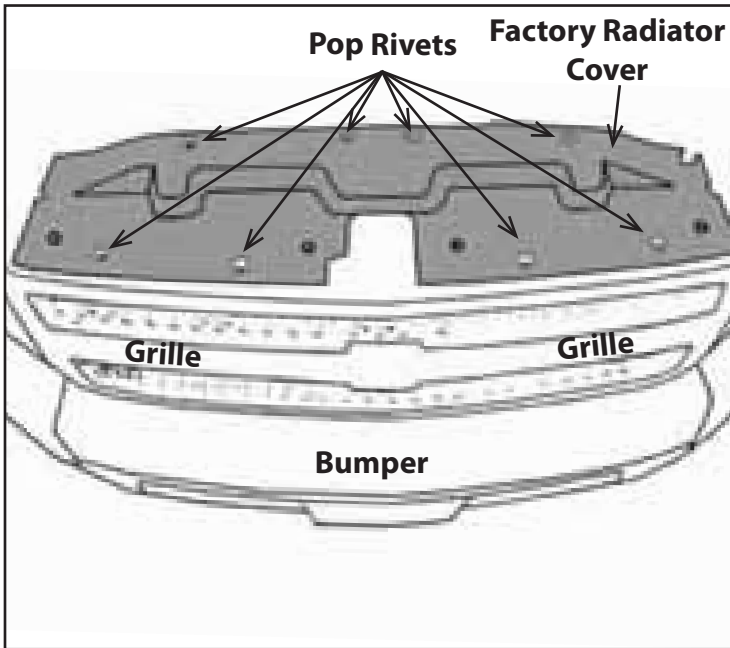
# Big Tex Grille Guard

Installation Instructions

## 77735 & 77735B

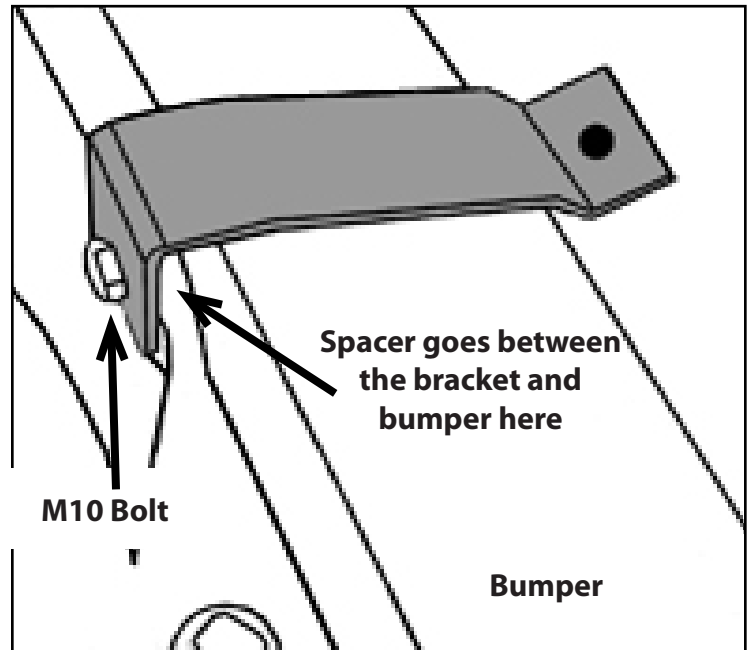
Chevy Silverado 1500  
 '07 - '13

**View of Factory Grille and Radiator Cover**



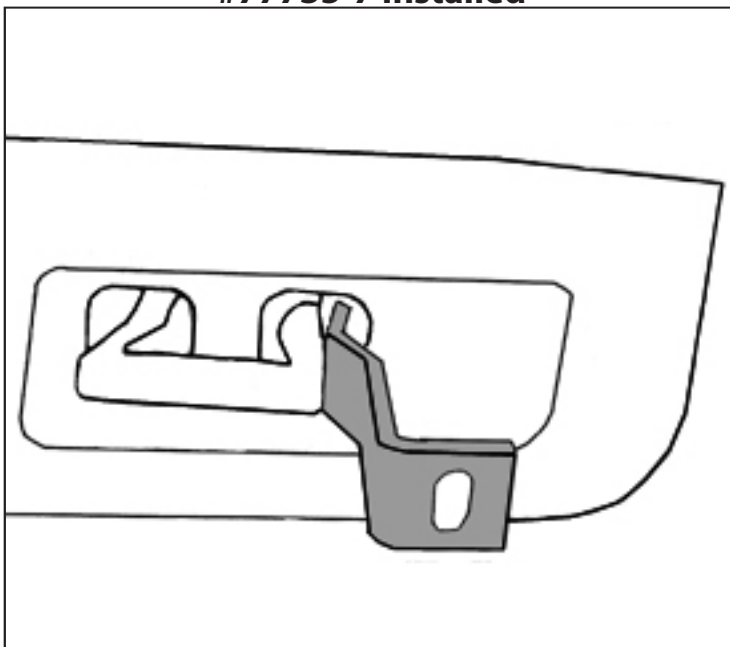
**Diagram 2**

**View of Driver Top Bracket #77735-5**



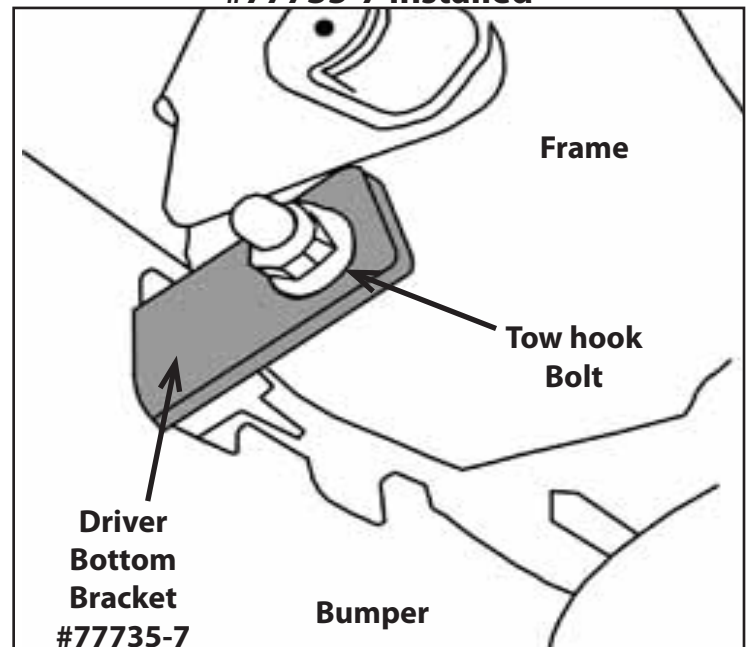
**Diagram 3**

**View of Driver Bottom Bracket #77735-7 Installed**



**Diagram 4**

**Rear View of Driver Bottom Bracket #77735-7 Installed**



**Diagram 5**