



INSTALLATION INSTRUCTIONS

PRO TRAXX 4 & 5 OVAL TUBE STEP BAR

APPLICATION:

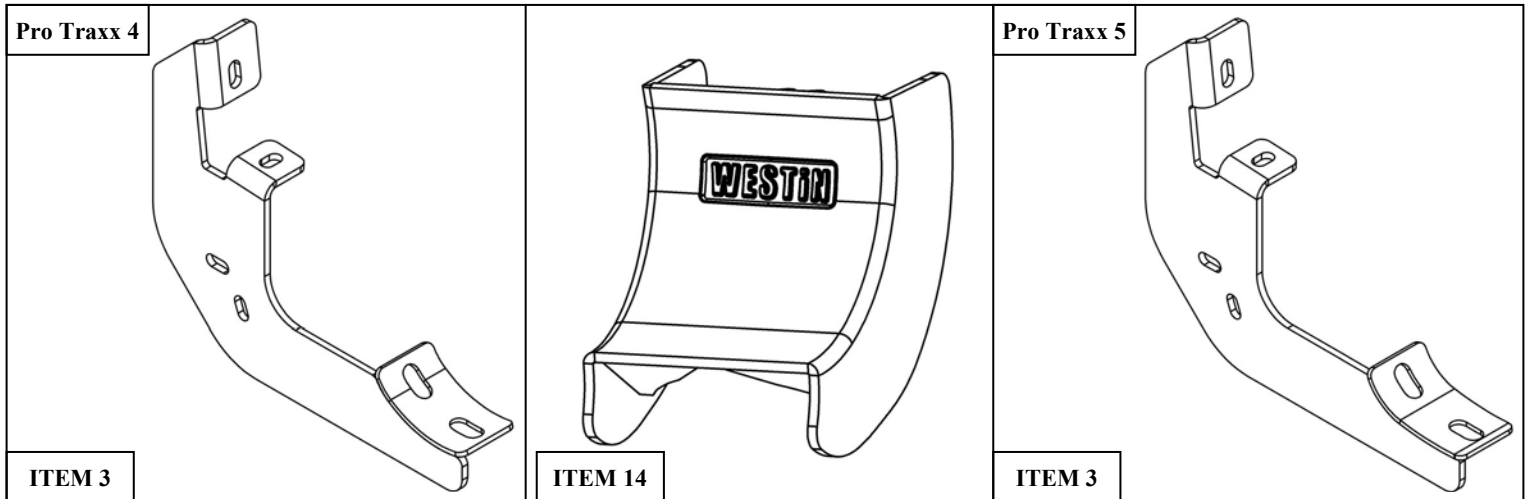
2015+ Chevrolet Colorado / GMC Canyon Extended / Crew Cab

AUTOMOTIVE PRODUCTS, PART NUMBER:

21-24000, 21-24005, 21-24010, 21-24015,
21-54000, 21-54005, 21-54010, 21-54015

ITEM	QUANTITY	DESCRIPTION	TOOLS NEEDED
1,2	2	STEP BAR, DRIVER(1) AND PASSENGER(2)	13MM SOCKET
3	6	MOUNTING BRACKETS	ALLEN WRENCH
4	12	M8 HEX CAP SCREW (YELLOW ZINC)	SOCKET EXT.
5	12	M8 FLAT WASHER (YELLOW ZINC)	HEX KEY TOOL
6	12	M8 SPLIT LOCK WASHER (YELLOW ZINC)	RATCHET
7	12	M8 U-CLIP NUT (YELLOW ZINC)	TORQUE WRENCH
8	12	M10 INTERNAL TOOTHED LOCK WASHER (BLACK ZINC)	
9	12	M10 FLAT WASHER (BLACK ZINC)	
10	12	M10 BUTTON HEAD SCREW (BLACK ZINC)	
11	12	M6 HEX HEAD CAP SCREW (BLACK ZINC)	
12	24	M6 FLAT WASHER (BLACK ZINC)	
13	12	M6 NYLON NUT (BLACK ZINC)	
14	6	PLASTIC BRACKET COVER	

ANTI-SEIZE LUBRICANT MUST BE USED ON ALL STAINLESS STEEL FASTENERS TO PREVENT THREAD DAMAGE AND GALLING



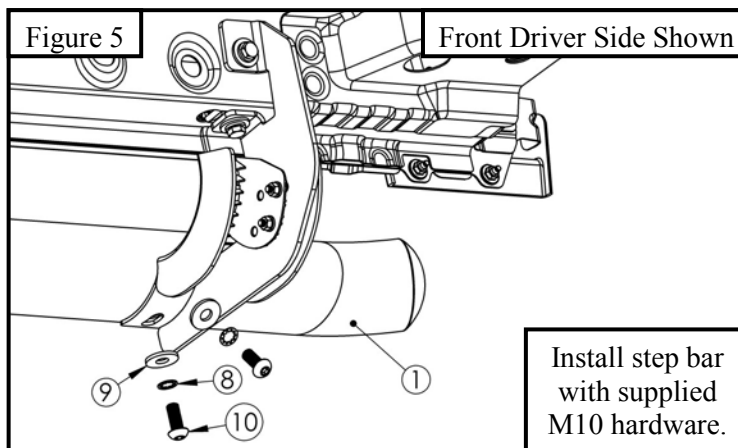
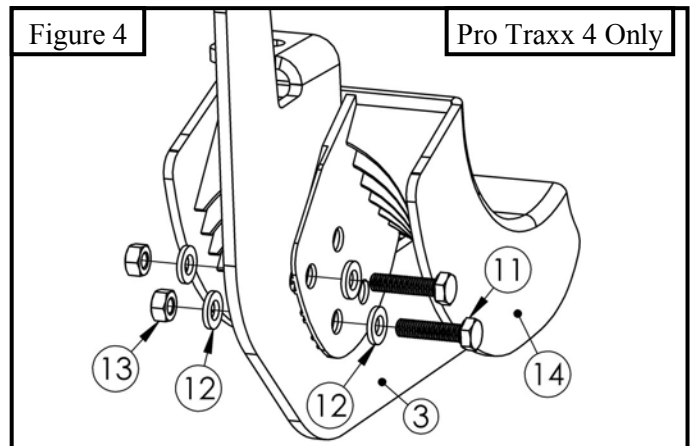
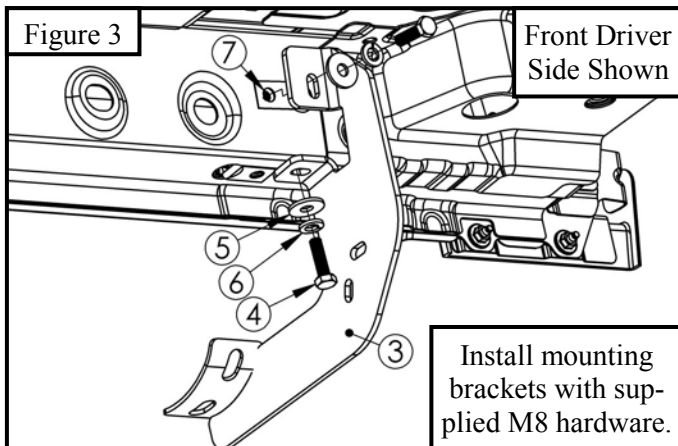
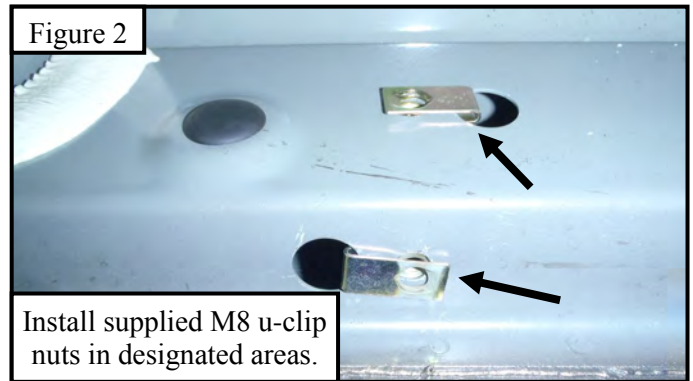
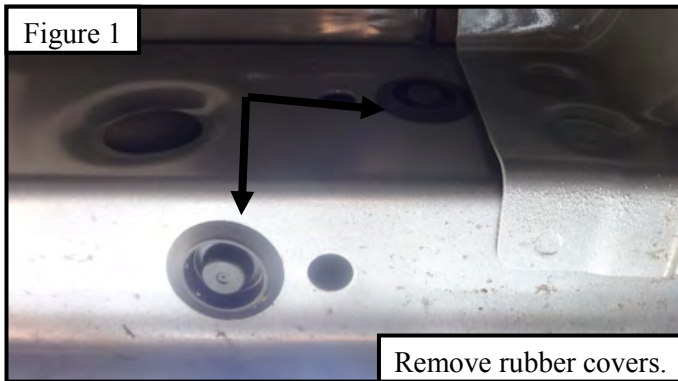
PROCEDURE

1. Remove contents from box, verify if all parts listed are present and free from damage.
Carefully read and understand all instructions before attempting installation.
Failure to identify damage before installation could lead to a rejection of any claim.



Westin Automotive Products, Inc.
320 W. Covina Blvd
San Dimas, Ca. 91773

2. If vehicle has plastic covers, remove the designated covers where mounts will be placed from the rocker panel, see **Figure 1**.
3. Install M8 u-clip nuts in the holes where the plastic covers were removed, see **Figure 2**. **Note:** See **Figure 6** for placement of all designated u-clips.
4. Loosely install mounting brackets to the previously install M8 u-clips with supplied M8 hardware. **Note:** The middle bracket will be closer the front bracket then in comparison to the rear bracket.
5. Locate (1) plastic bracket cover (Item 14) and loosely secure it to the (6) brackets using the provided hardware: (2) M6 hex head cap screws, (4) M6 flat washers, and (2) M6 nylon nuts. Repeat for every bracket. See **Figure 4**.
6. Loosely install the Pro Traxx step bar assembly to the previously installed mounting brackets with supplied M10 hardware. See **Figure 5**. **Note:** Driver side step tube will be packaged in a clear poly tube and passenger side will be packaged in a red poly tube, the Westin logo should face outward when installed.
7. Align and adjust as necessary then torque hardware: M8 to 15-18 ft-lbs., M10 to 30-35 ft-lbs., and M6 to 5-7 ft-lbs.



Westin Automotive Products, Inc.
320 W. Covina Blvd
San Dimas, Ca. 91773

Thank you for choosing Westin products
for additional installation assistance please call
Customer Service (800) 793-7846
www.westinautomotive.com

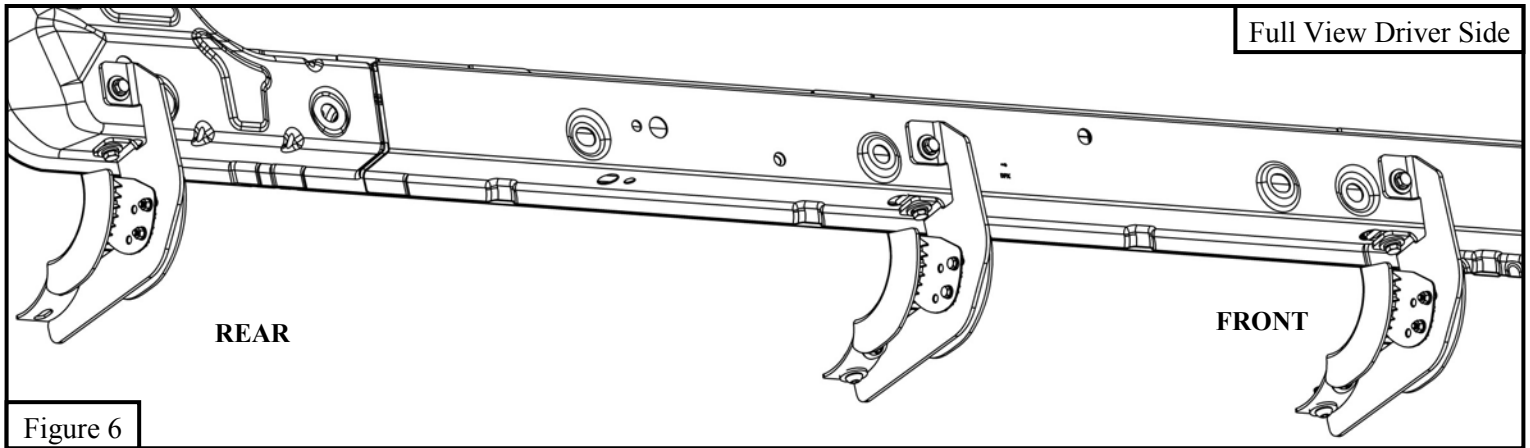


Figure 6



Care Instructions

- REGULAR WAXING IS RECOMMENDED. DO NOT USE ANY TYPE OF POLISH OR WAX THAT MAY CONTAIN ABRASIVES.
- STAINLESS STEEL PRODUCTS CAN BE CLEANED WITH MILD SOAP AND WATER. STAINLESS STEEL POLISH SHOULD BE USED TO POLISH SMALL SCRATCHES.
- GLOSS BLACK FINISHES SHOULD BE CLEANED WITH MILD SOAP AND WATER.



Westin Automotive Products, Inc.
320 W. Covina Blvd
San Dimas, Ca. 91773

Thank you for choosing Westin products
for additional installation assistance please call
Customer Service (800) 793-7846
www.westinautomotive.com



SIGNATURE OF QUALITY

AUTOMOTIVE PRODUCTS, INC.



WARNING



Failure to follow these instructions could lead to death, personal injury, and / or property damage.

FASTENERS:

All Westin supplied fasteners must be utilized and installed in accordance with the installation instructions and apply torque to the specifications as defined. **DOUBLE CHECK ALL FASTENERS BEFORE INITIAL USE, AND PERIODICALLY IN THE FUTURE TO ENSURE PROPER FUNCTION AND SAFETY.**

DRILLING:

Most Westin products do not require drilling for installation. If drilling is defined as required, use caution when drilling a vehicle. **FAILURE TO REVIEW AN AREA TO BE DRILLED MAY RESULT IN PERSONAL INJURY AND/OR INJURY TO OTHERS AS WELL AS VEHICLE DAMAGE.**

EYE PROTECTION:

ALWAYS WEAR SAFETY GLASSES OR GOGGLES DURING THE INSTALLATION PROCESS TO AVOID PERSONAL INJURY.

MAXIMUM TOWING/CARRYING CAPACITY:

The Westin Receiver Hitches will have a visible tow rating label affixed directly on the product. User should never exceed the vehicle manufacturers maximum tow and weight rating regardless of the capacity of the hitch. **FAILURE TO FOLLOW THESE GUIDELINES WILL VOID THE WESTIN WARRANTY AND MAY RESULT IN PERSONAL INJURY AND/OR INJURY TO OTHERS AS WELL AS VEHICLE DAMAGE.**



Westin Automotive Products, Inc.
320 W. Covina Blvd
San Dimas, Ca. 91773