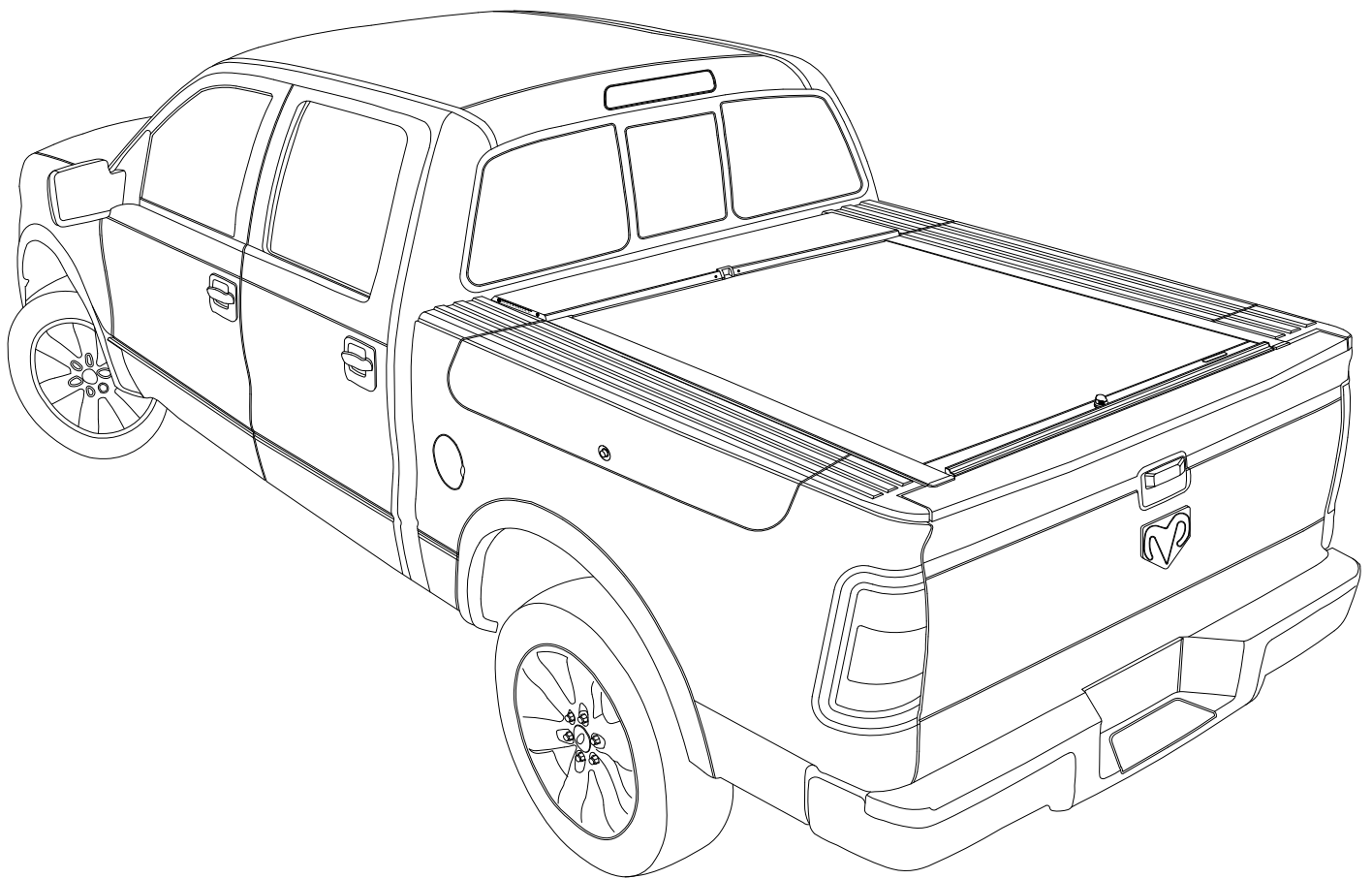




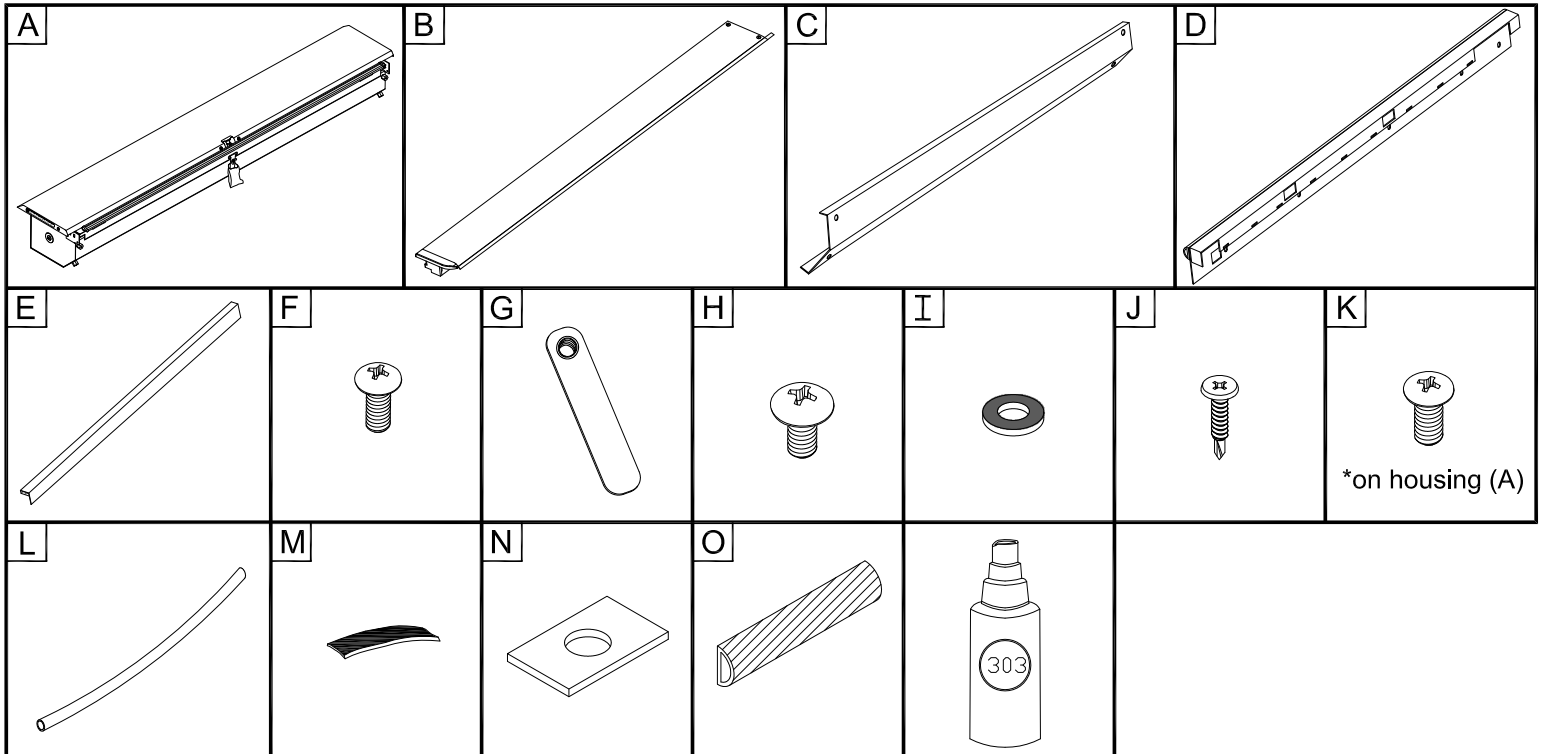
# 2019 RamBox Installation Guide



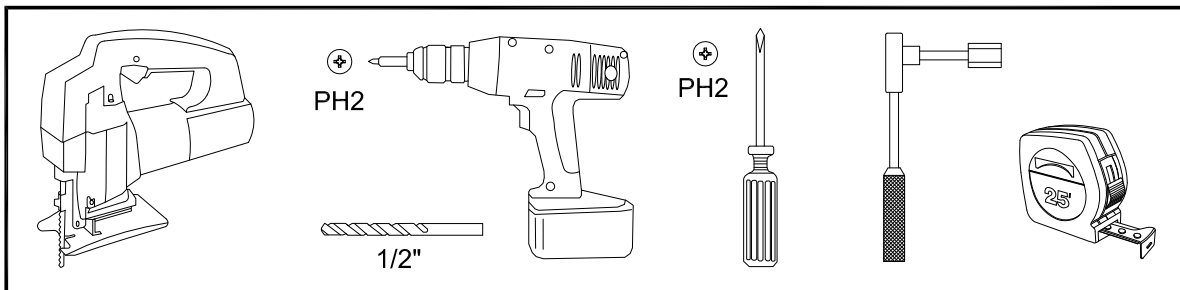
Product Code  
404

# Parts List

Item	Part Name	Qty.	Item	Part Name	Qty.	Item	Part Name	Qty.
A	Housing	1	F	#10-24 Screw	8	K	1/4-20 Lid Screw	2
B	Track	2	G	Cargo Nut	8	L	Drain Tube	2
C	Cargo Shield/Track spacer	1	H	1/4-20 x 3/8" Screw	4	M	Butyl Caulk Strip	4
D	Track Mounting Flange	2	I	Black Rubber Washer	4	N	Shim	2
E	Bulkhead Flashing	1	J	Self Tapping Screw	2	O	Tailgate Gasket	2
							303 Vinyl Protector	1

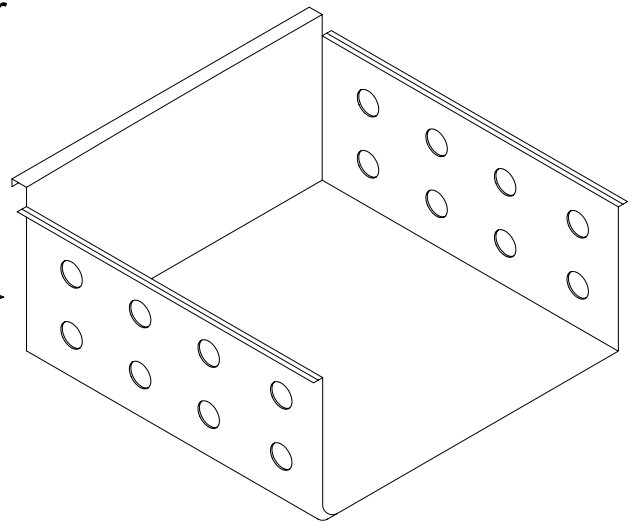
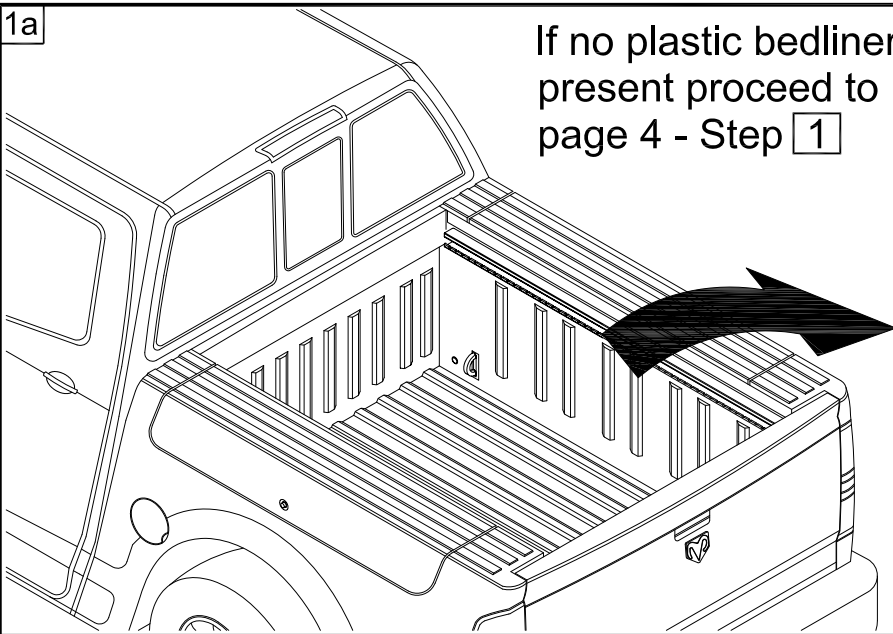


## Tools Needed



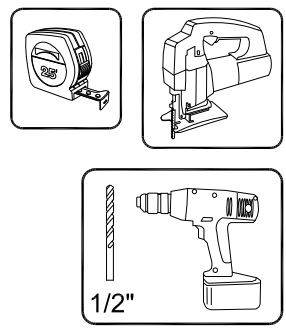
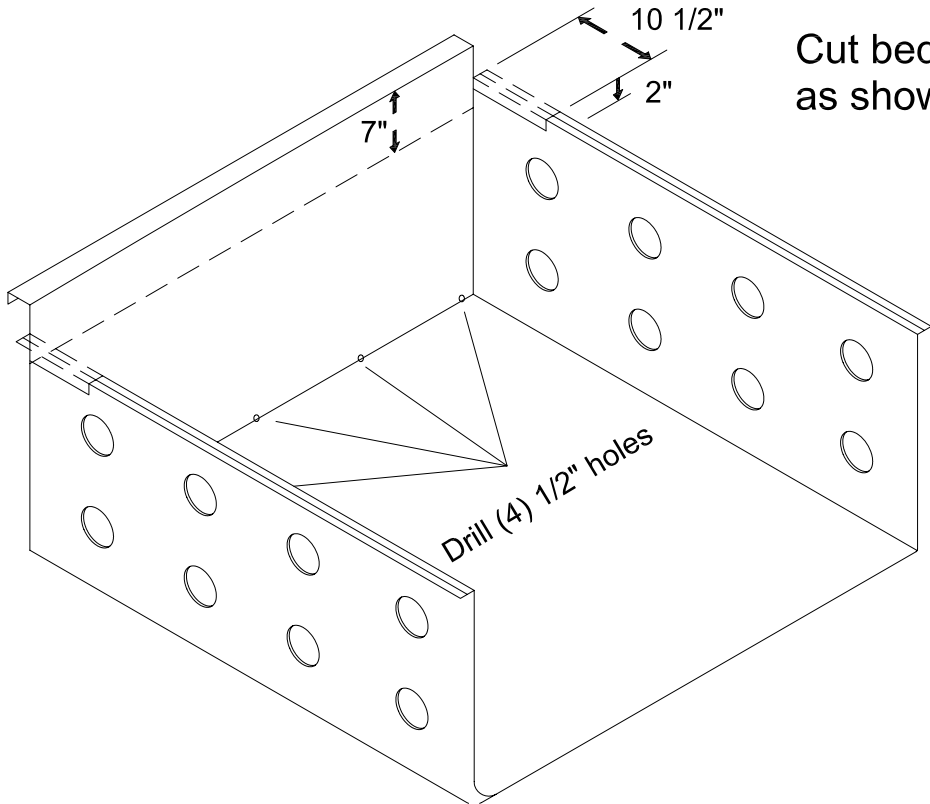
1a

If no plastic bedliner present proceed to page 4 - Step 1

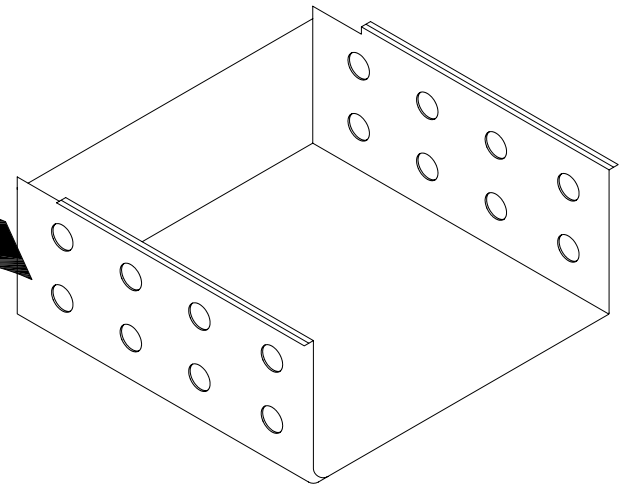
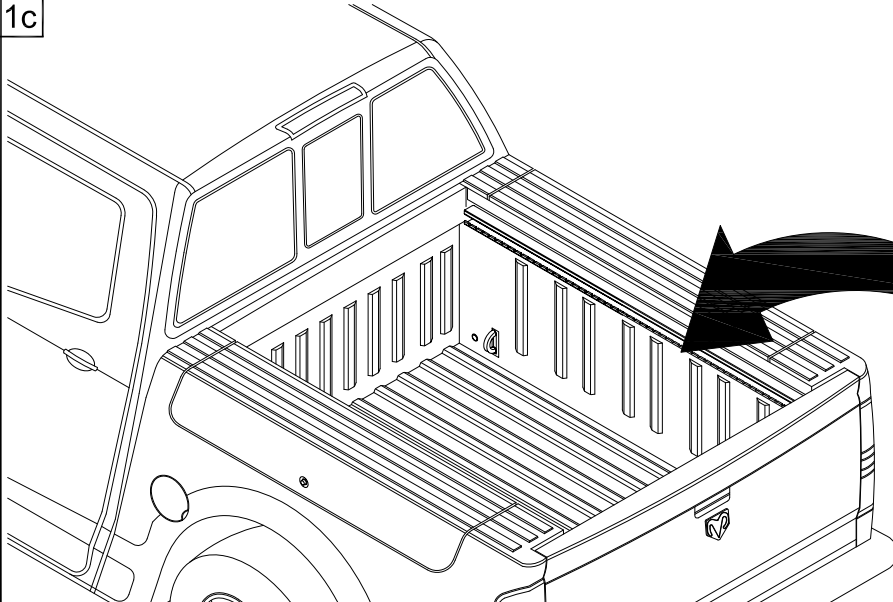


1b

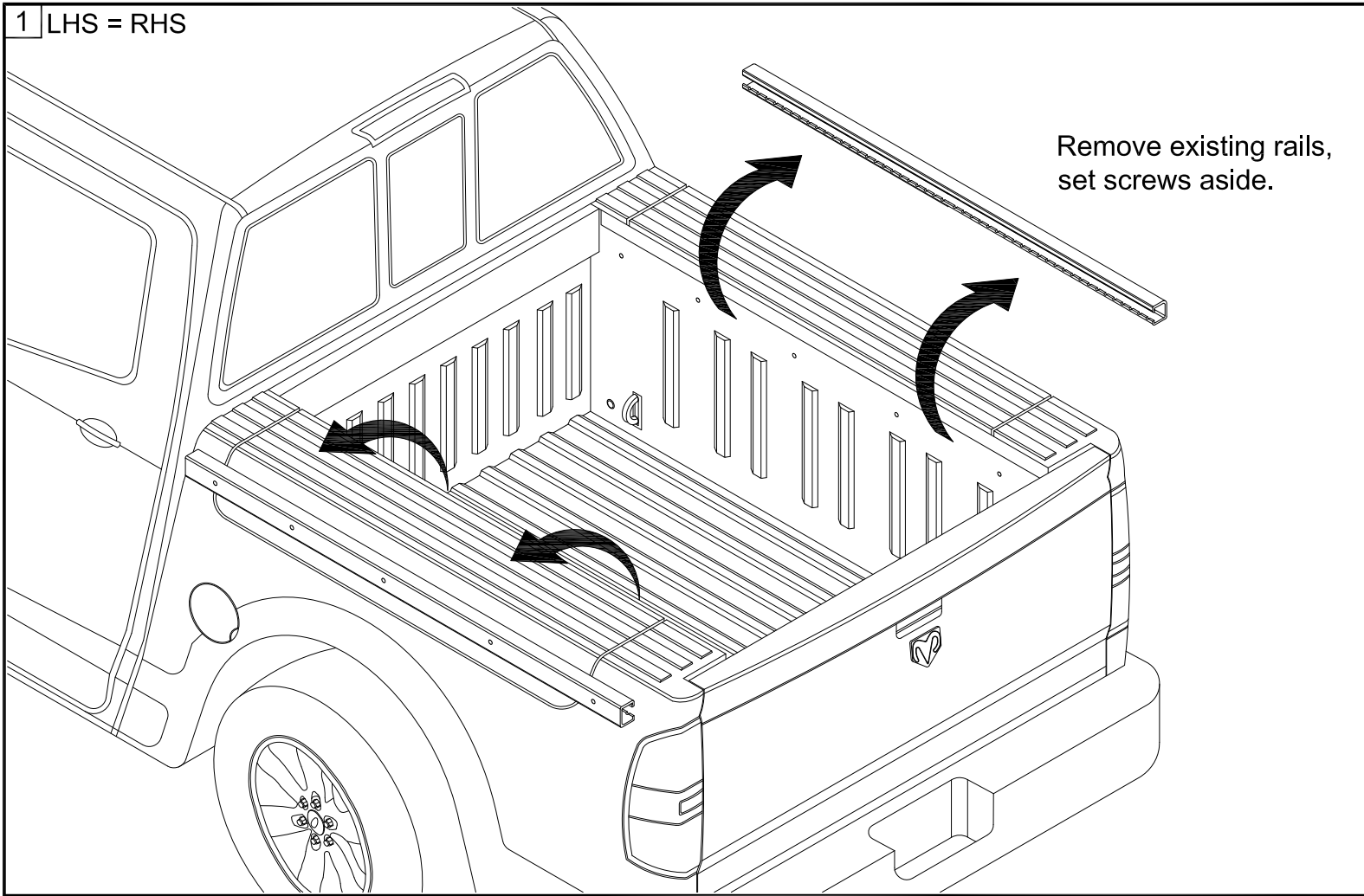
Cut bedliner as shown.



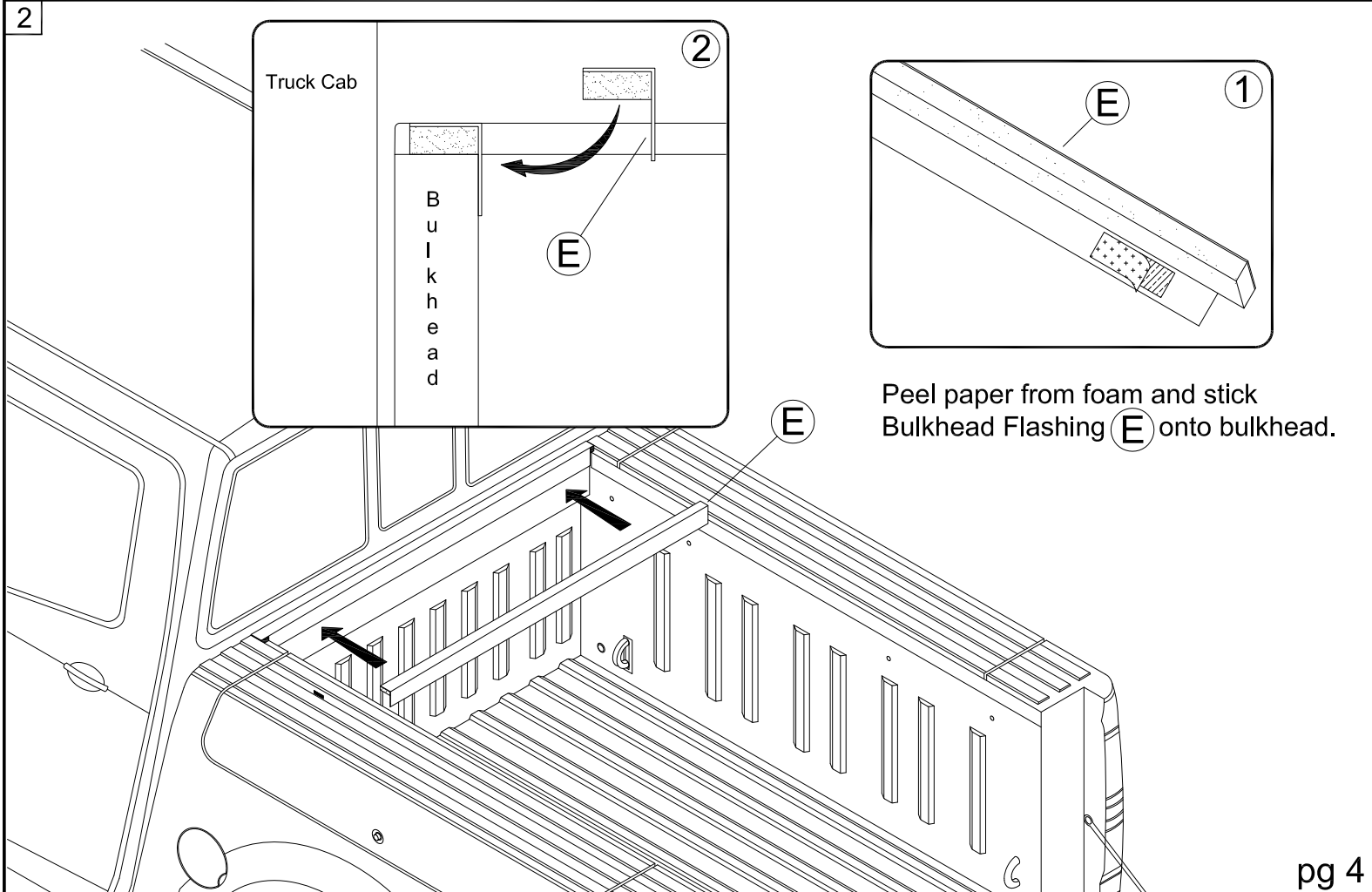
1c



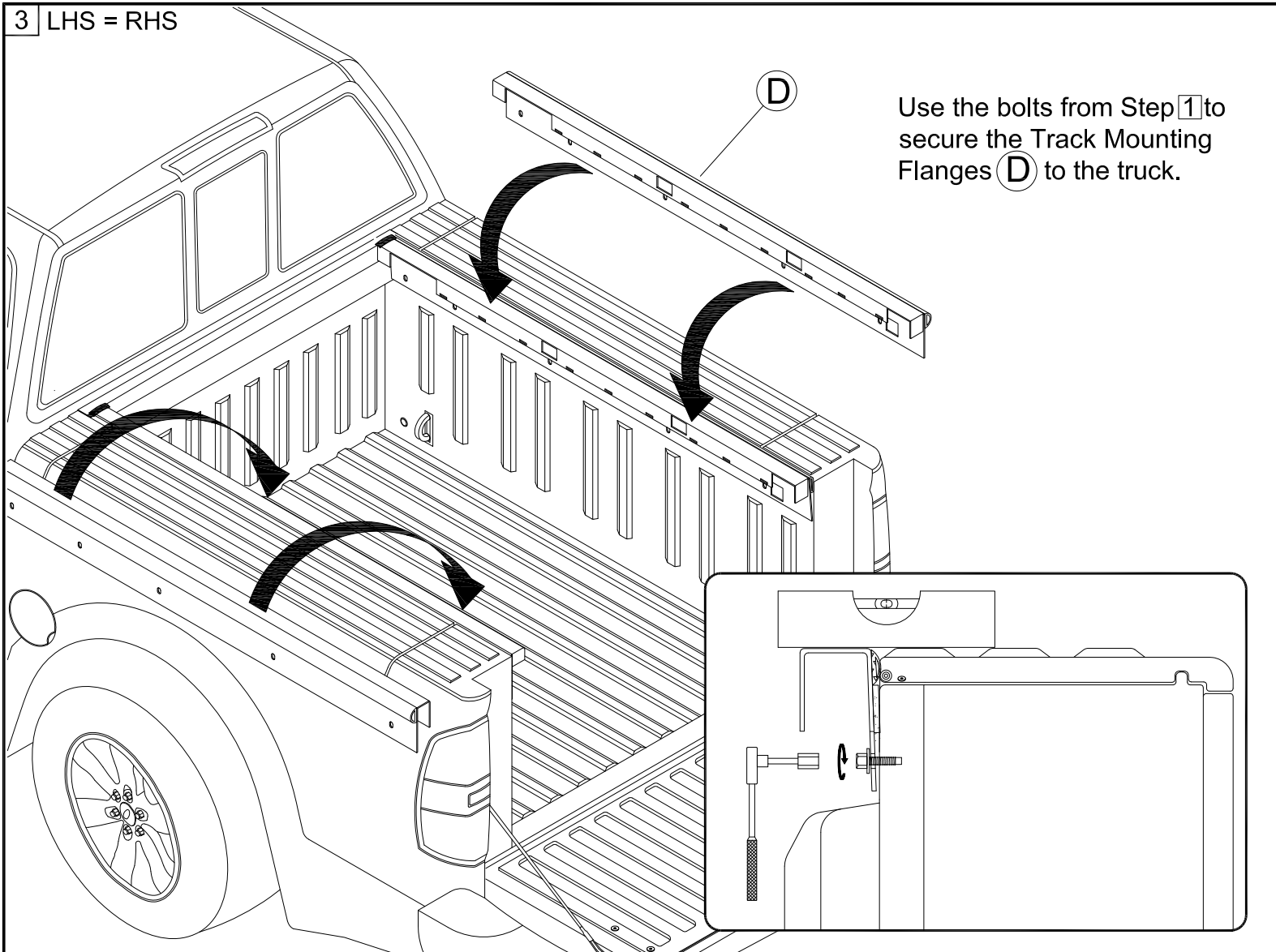
1 LHS = RHS



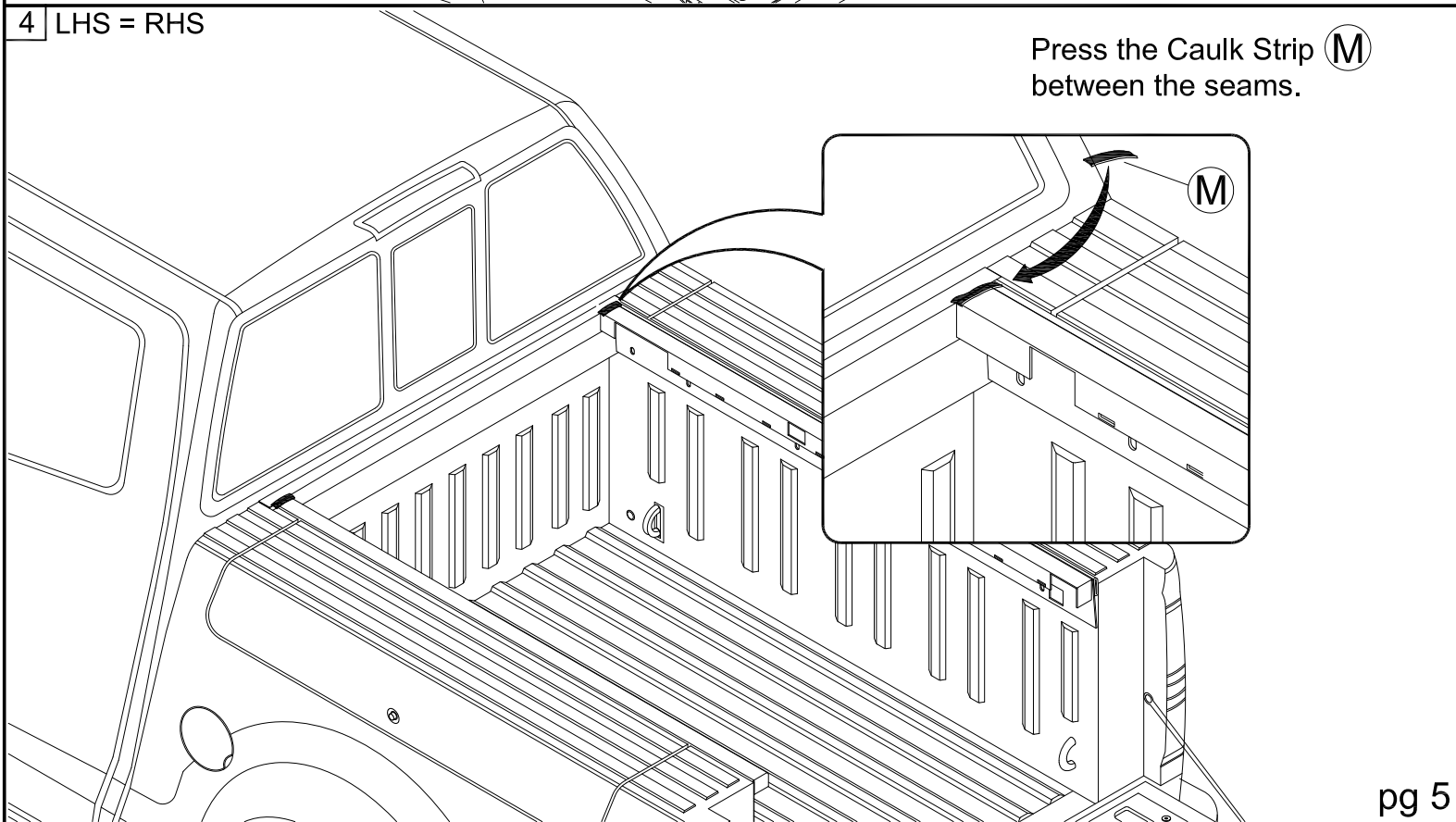
2



3 LHS = RHS

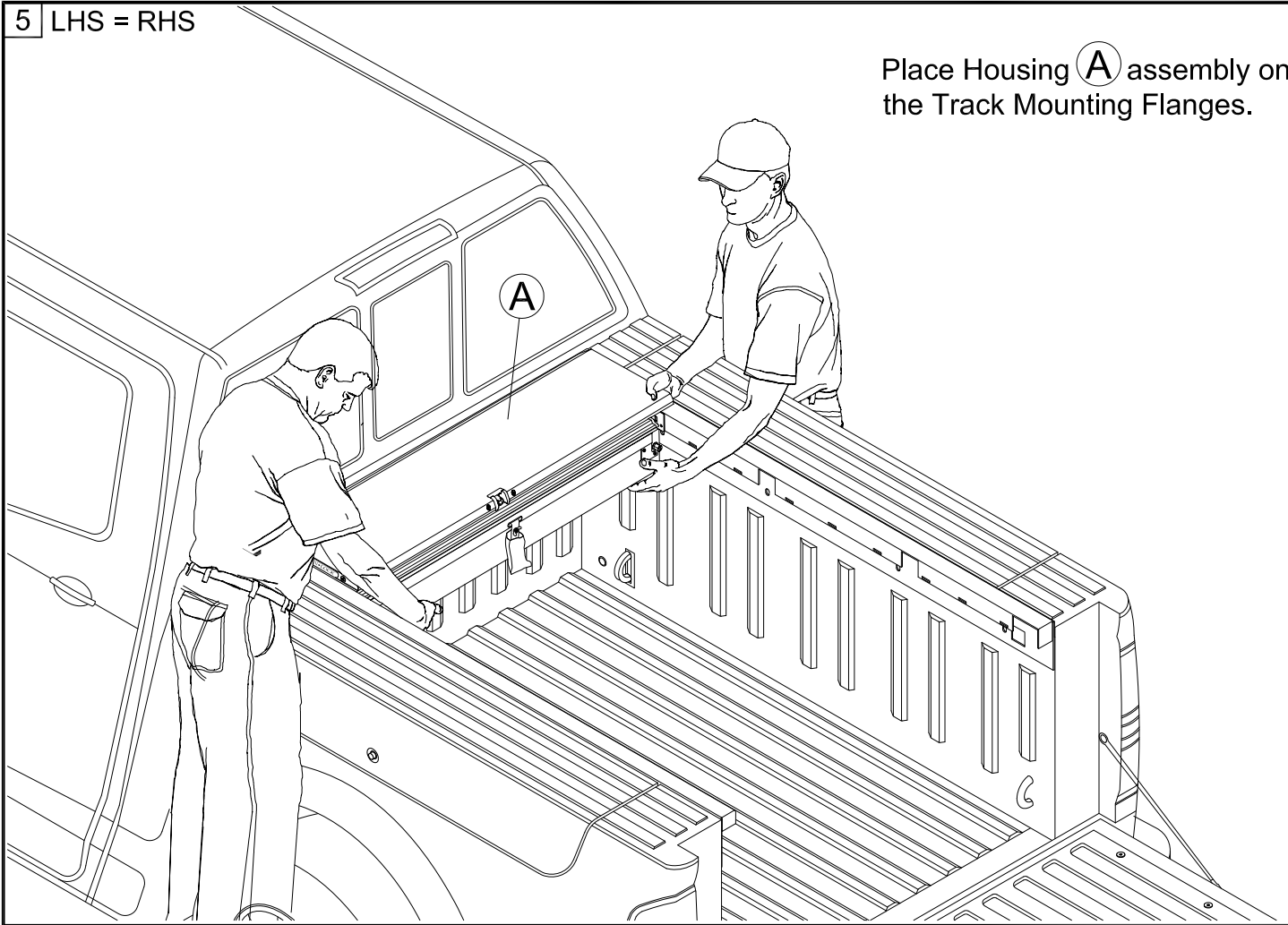


4 LHS = RHS



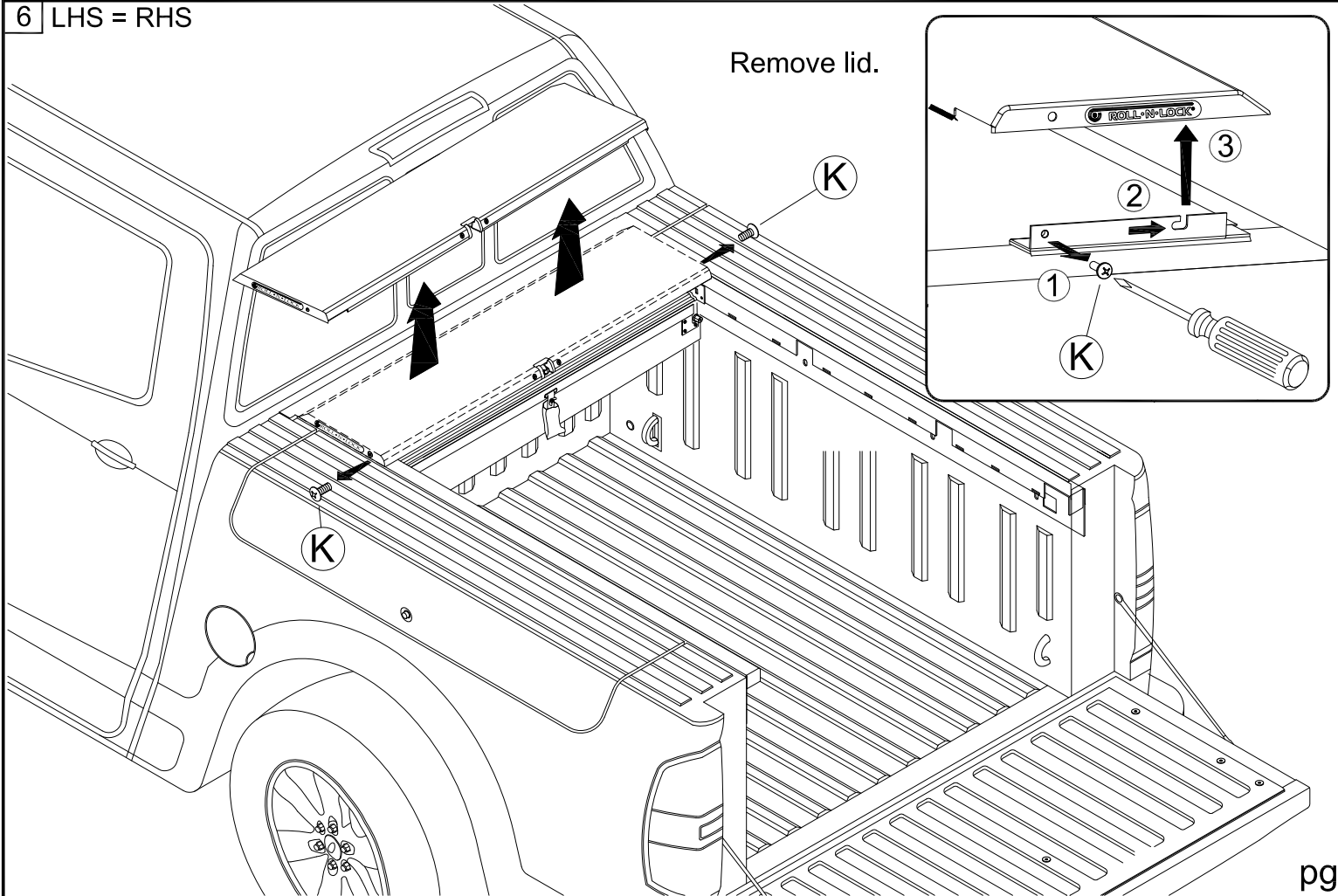
5 LHS = RHS

Place Housing **A** assembly onto the Track Mounting Flanges.



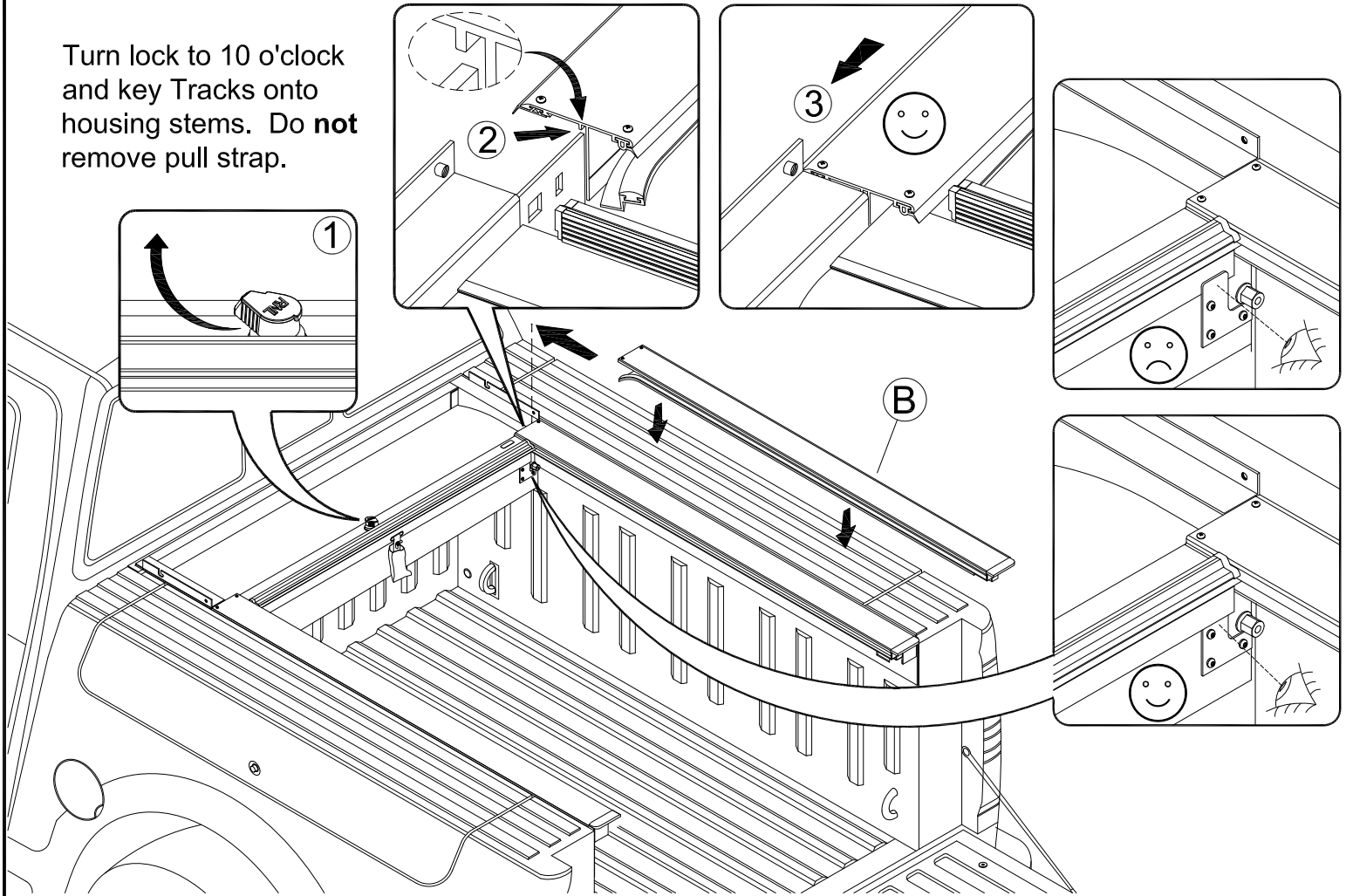
6 LHS = RHS

Remove lid.

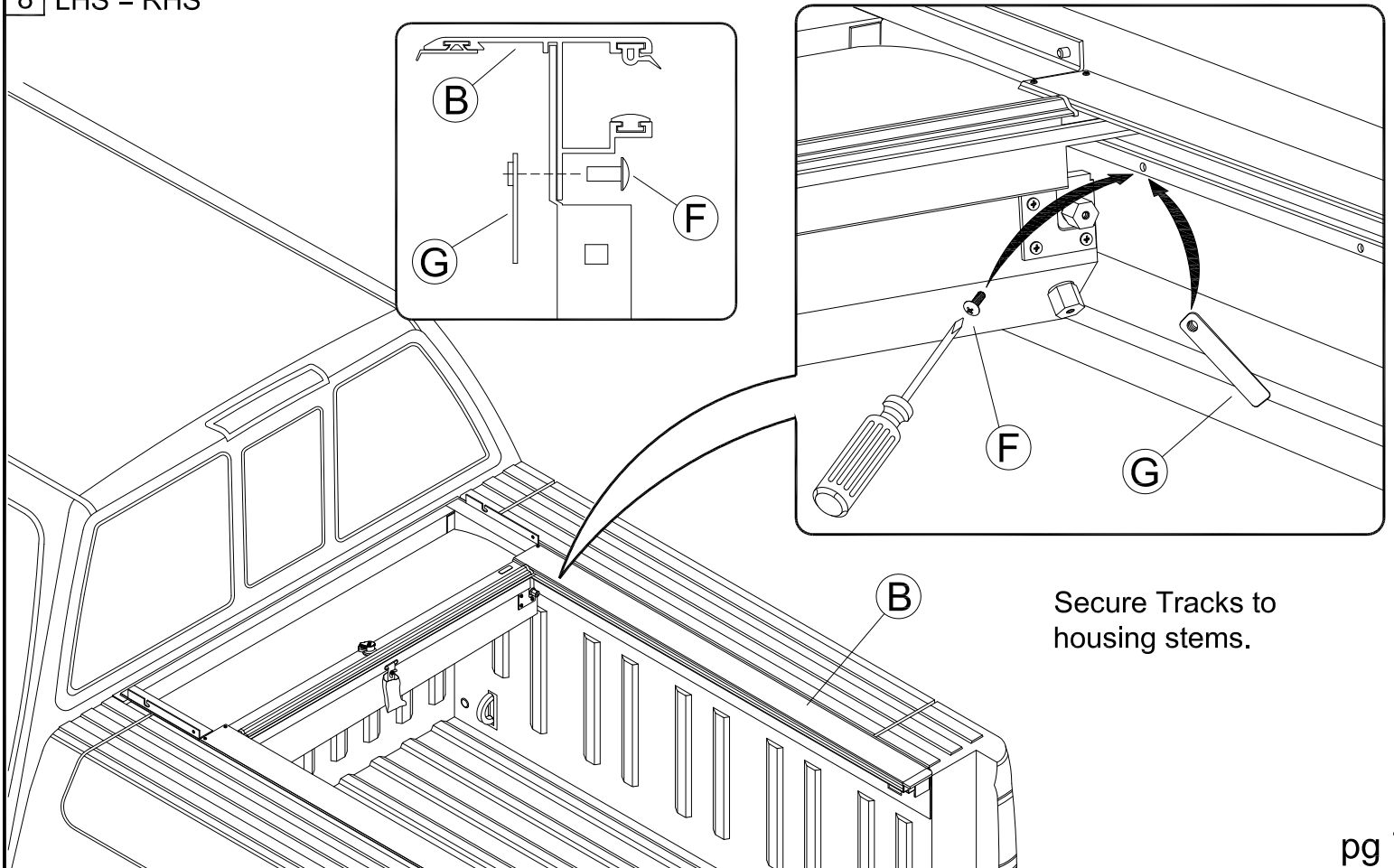


7 LHS = RHS

Turn lock to 10 o'clock and key Tracks onto housing stems. Do not remove pull strap.

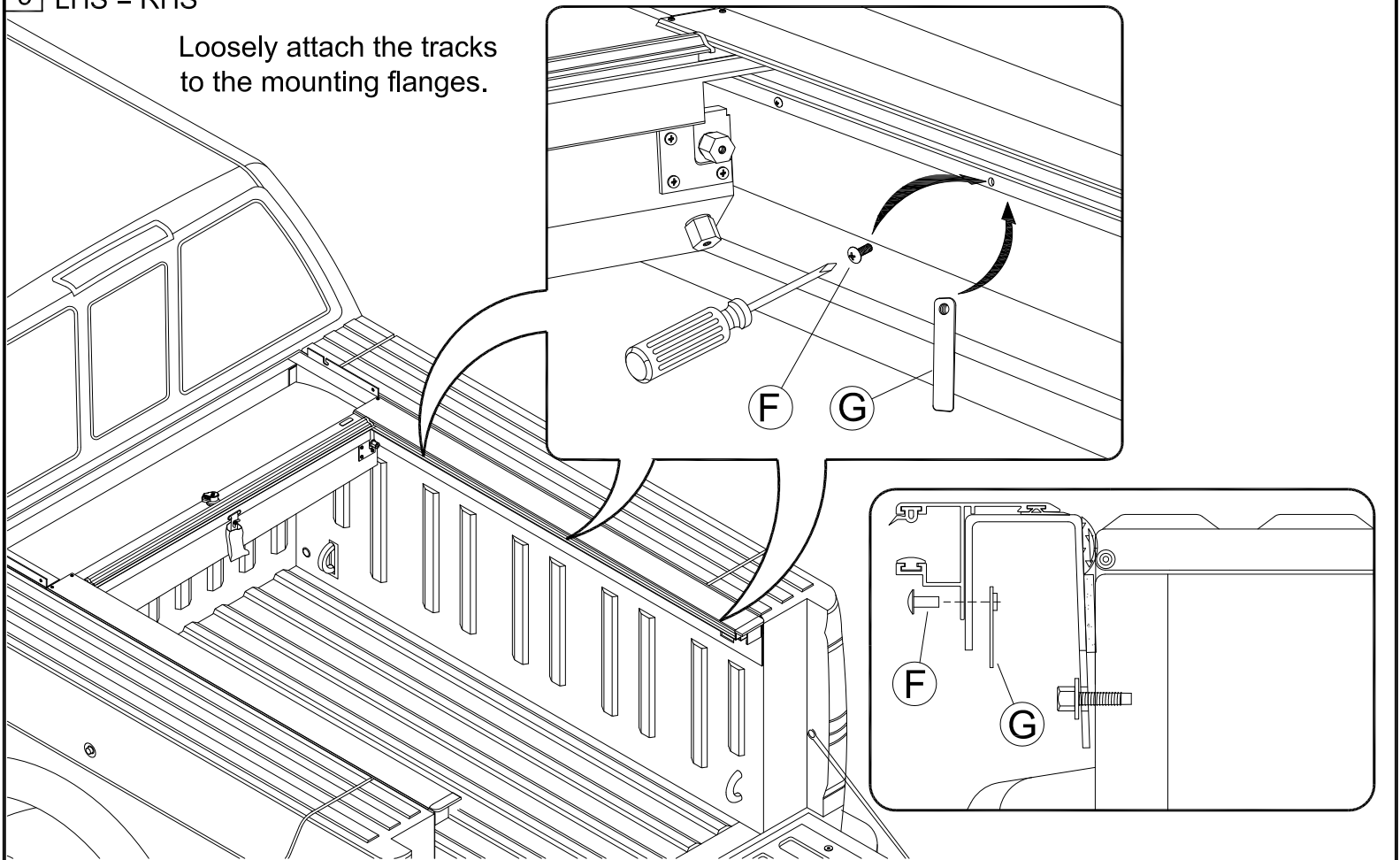


8 LHS = RHS



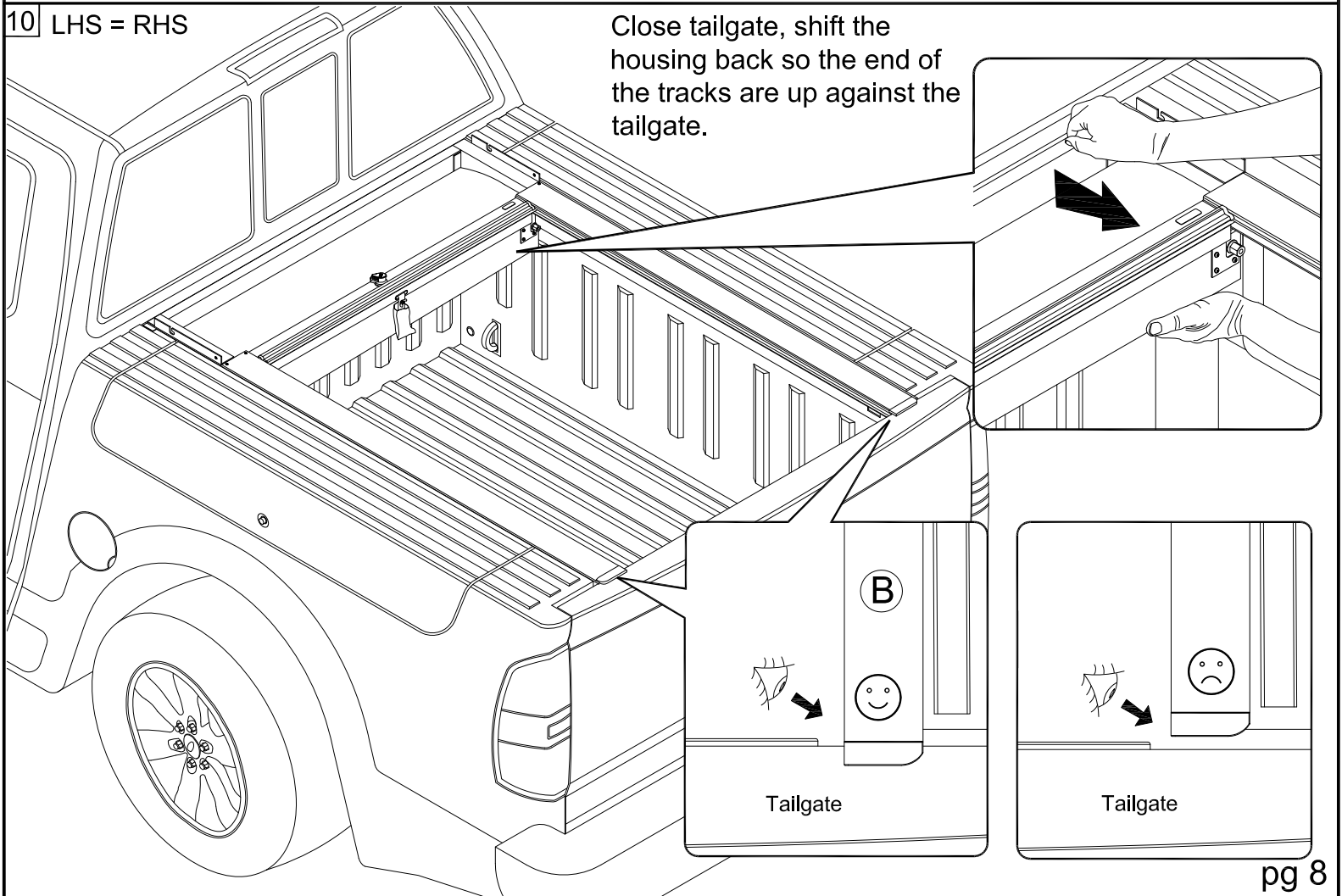
9 LHS = RHS

Loosely attach the tracks to the mounting flanges.



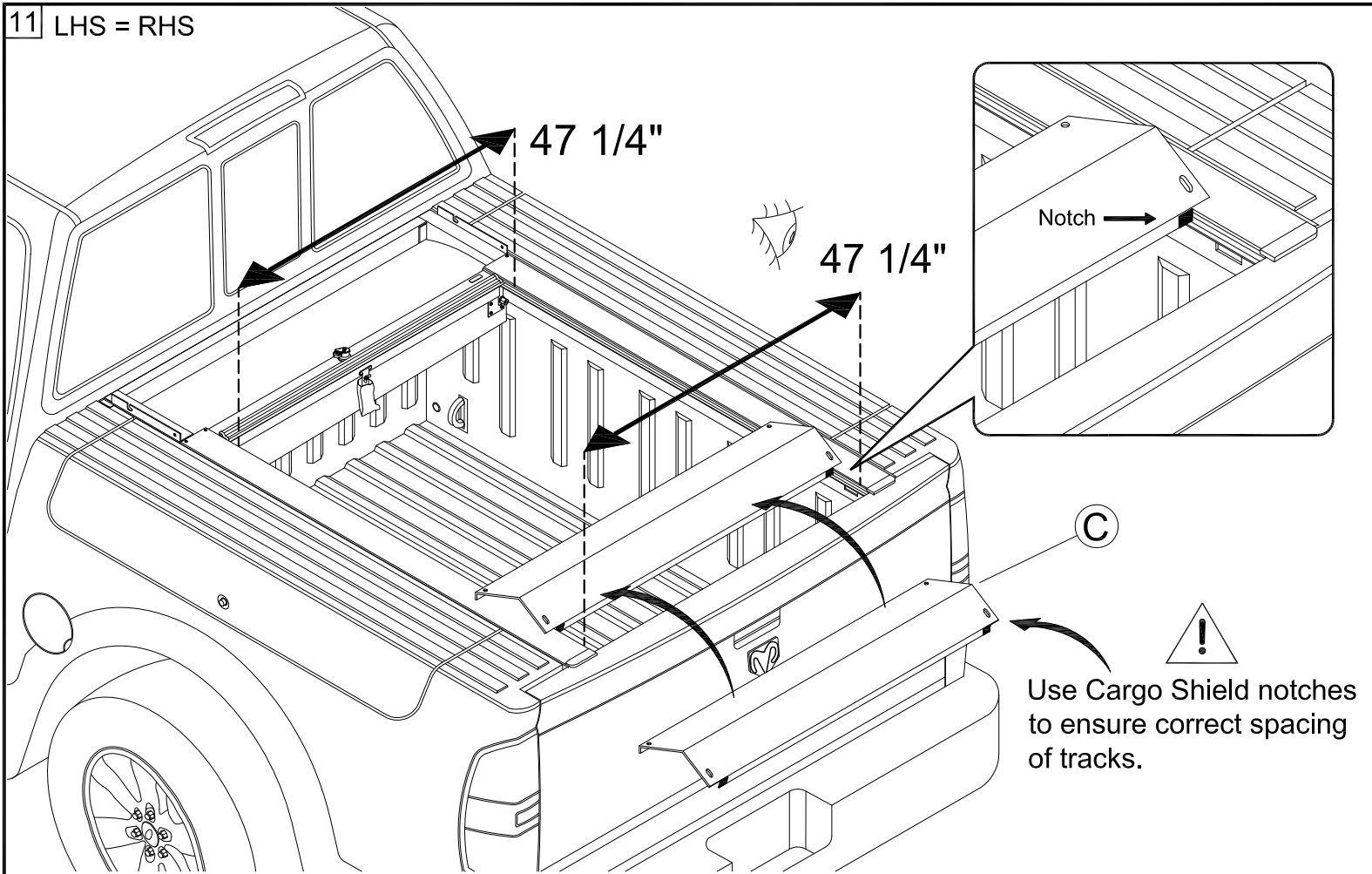
10 LHS = RHS

Close tailgate, shift the housing back so the end of the tracks are up against the tailgate.

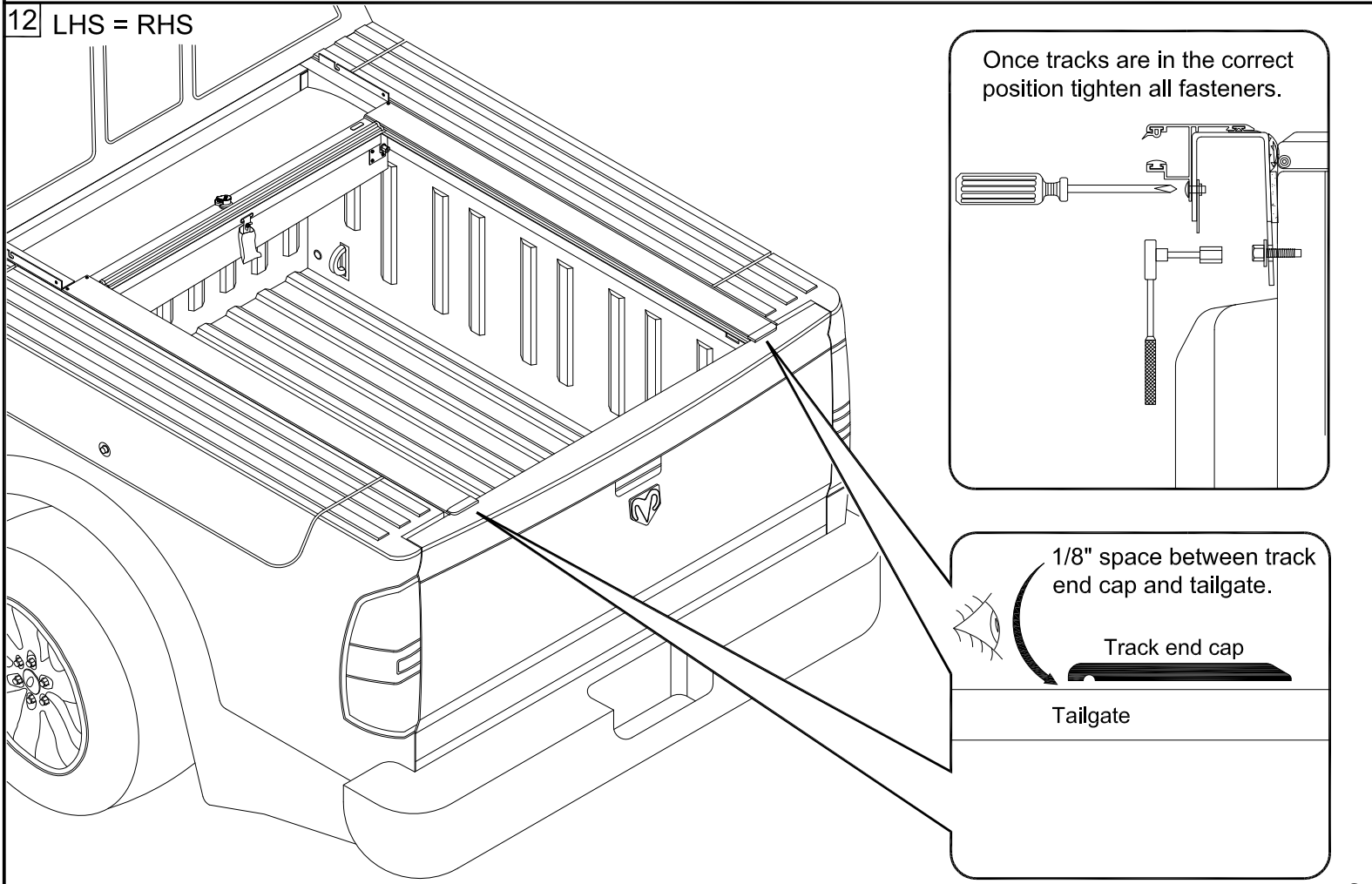




11 LHS = RHS



12 LHS = RHS



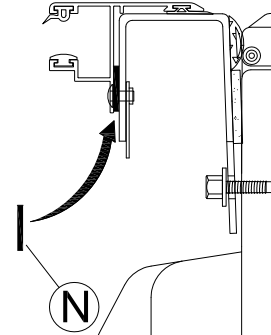
# Trouble Shooting

Track to track is greater than 47 1/4"

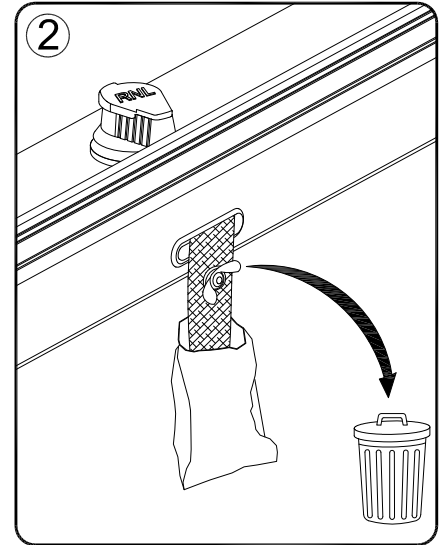
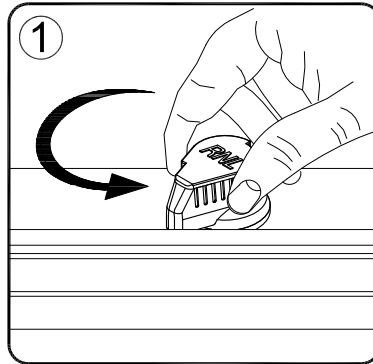


> 47 1/4"

Use shim(s) **N** between track(s) and flange to adjust accordingly.



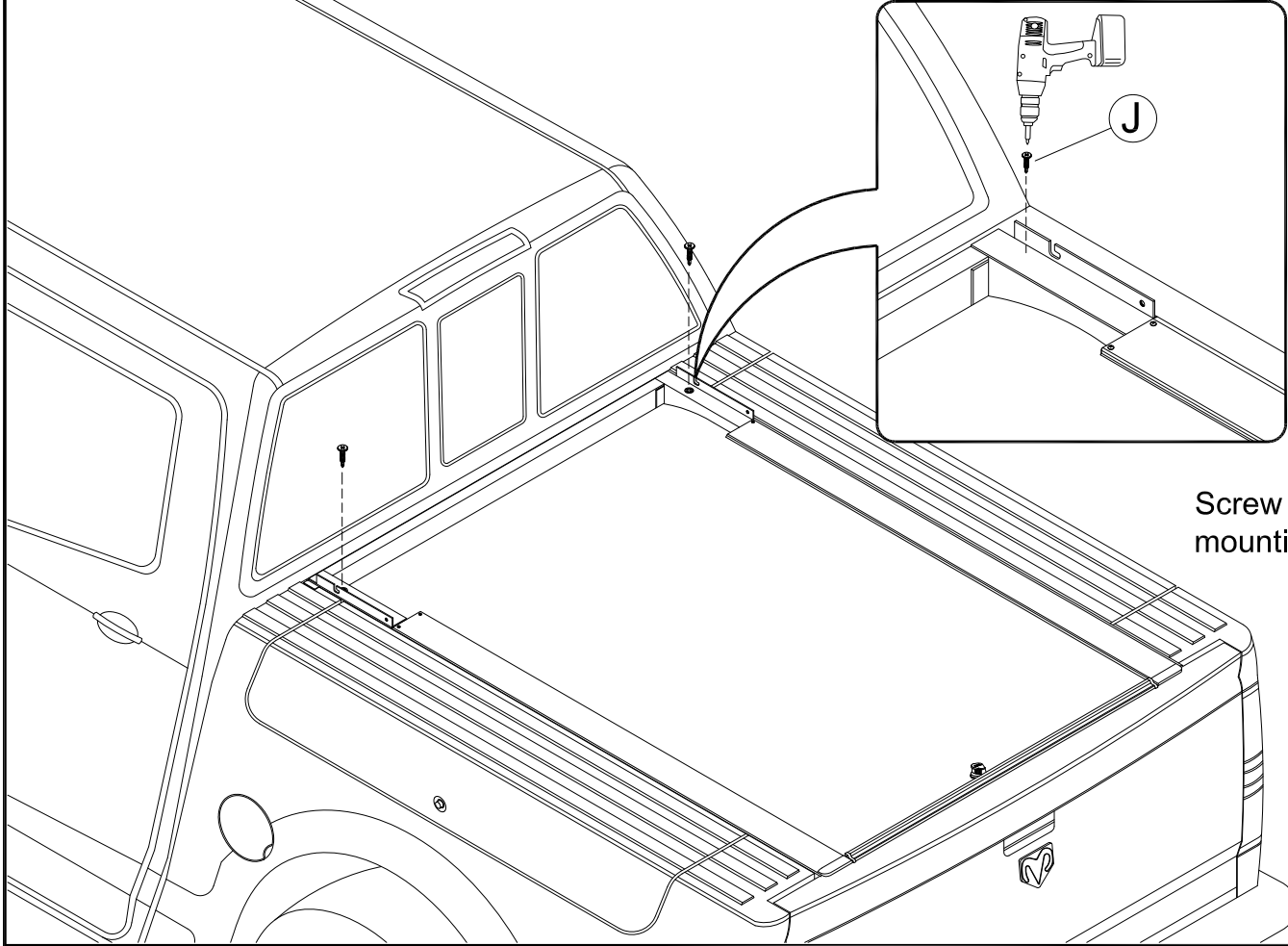
13



3

Turn lock to 7 o'clock, remove plastic wing nut and pull cover back to tailgate.

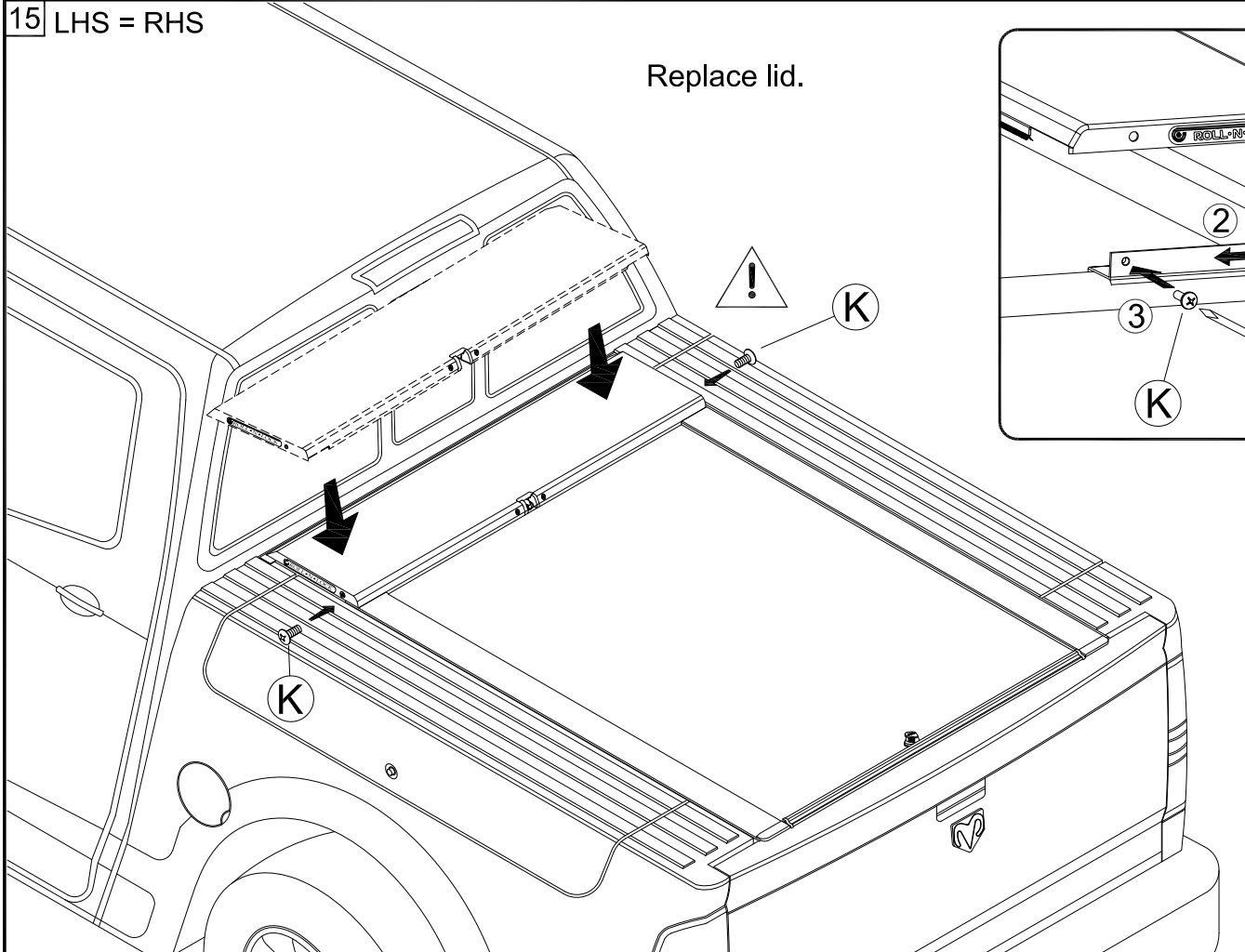
14 LHS = RHS



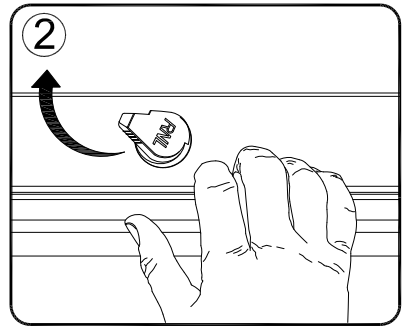
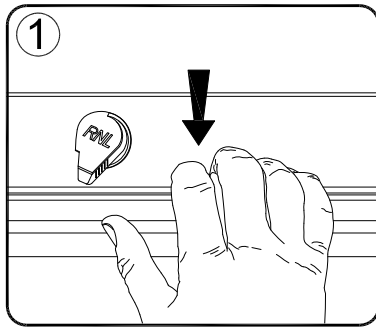
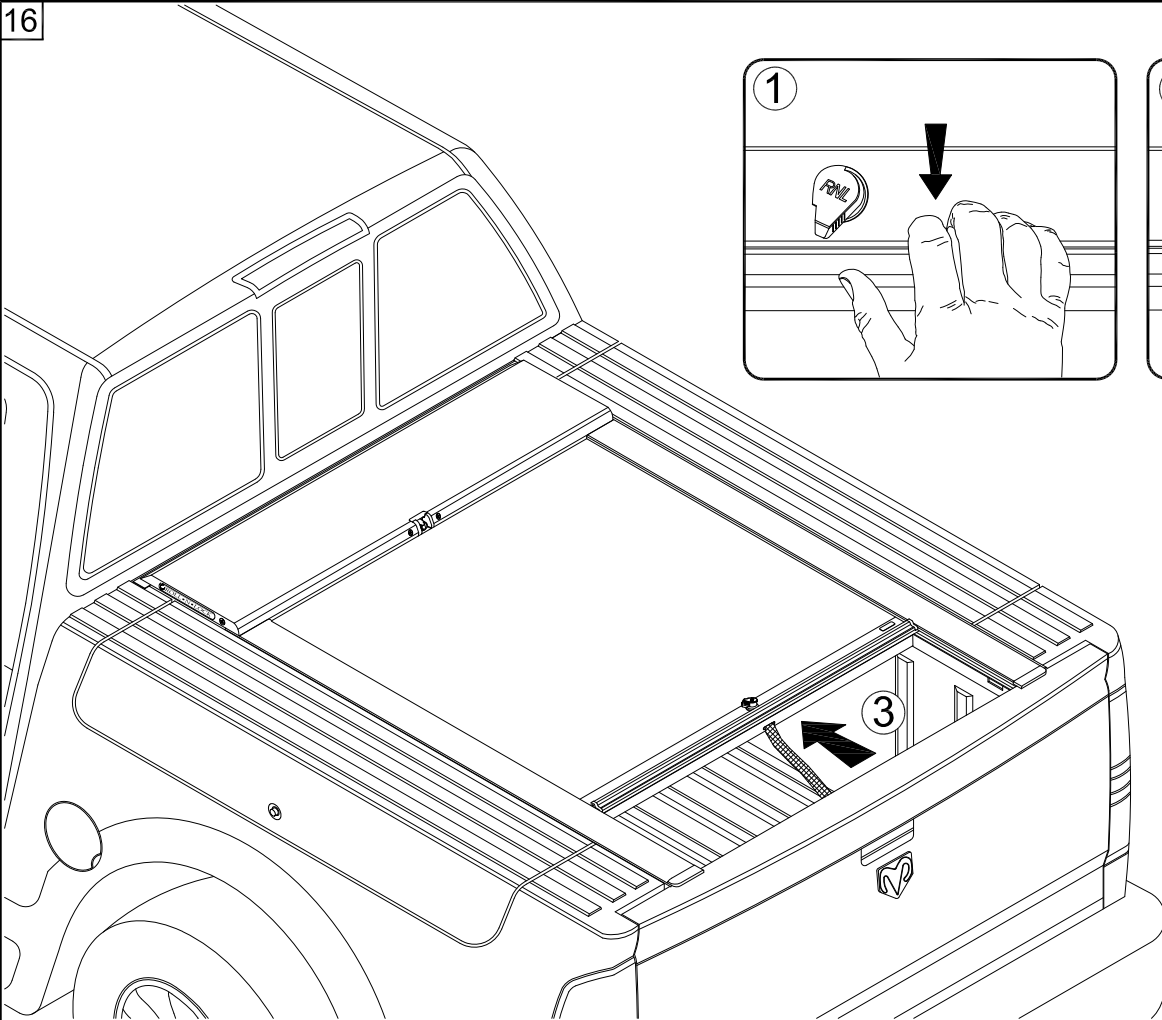
Screw **J** housing to mounting flange.

15 LHS = RHS

Replace lid.



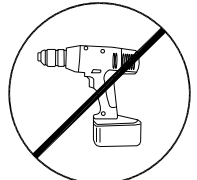
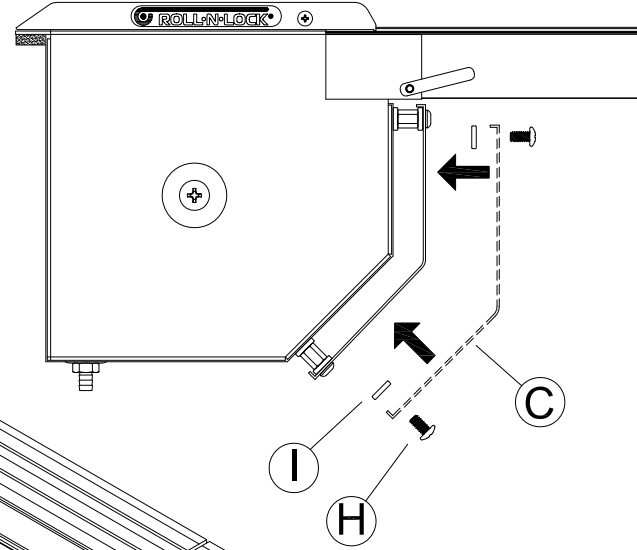
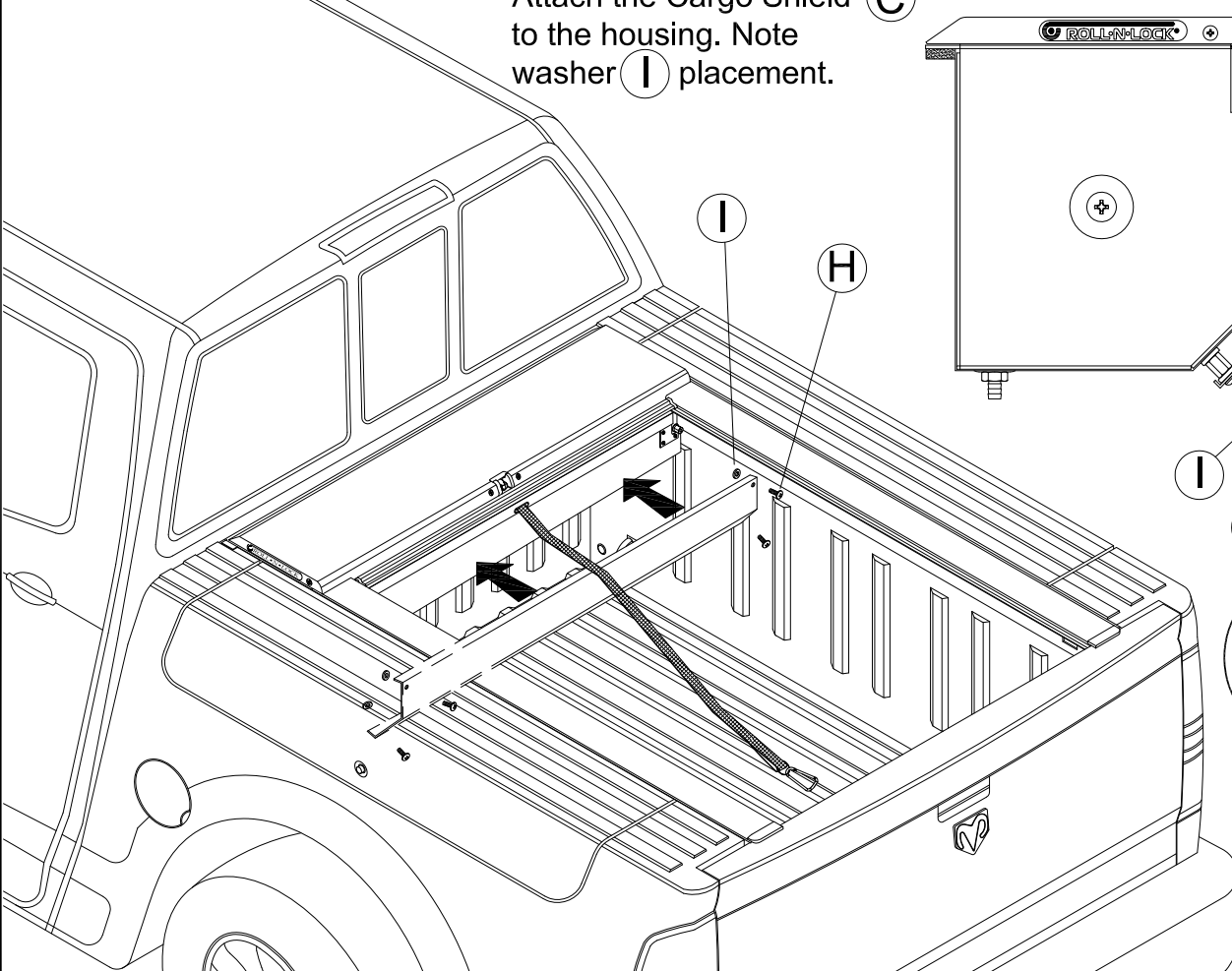
16



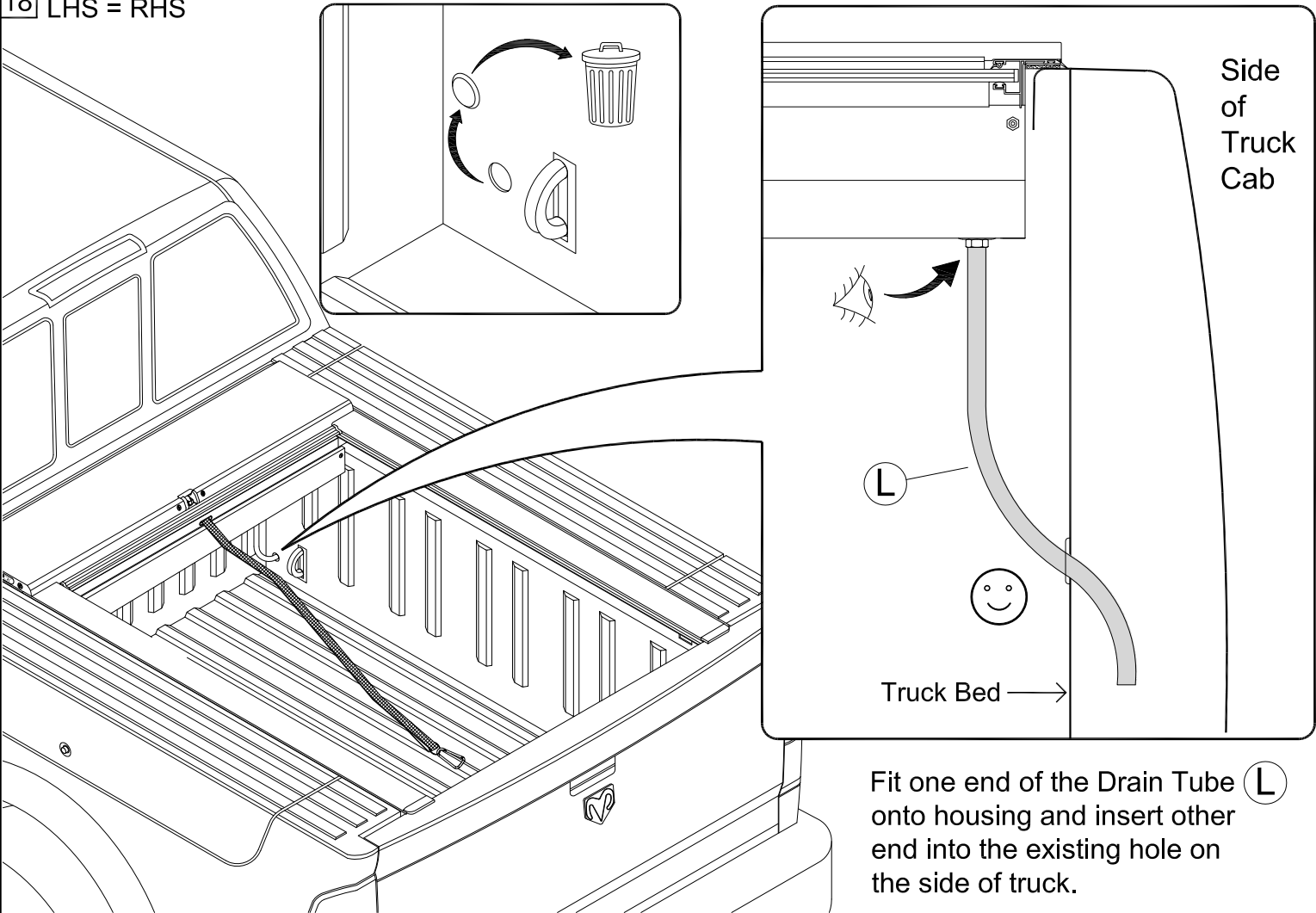
To open cover pull back on the handle, turn the lock to 10 o'clock and let the cover retract into the housing while holding onto the pull-strap.

17 LHS = RHS

Attach the Cargo Shield (C) to the housing. Note washer (I) placement.

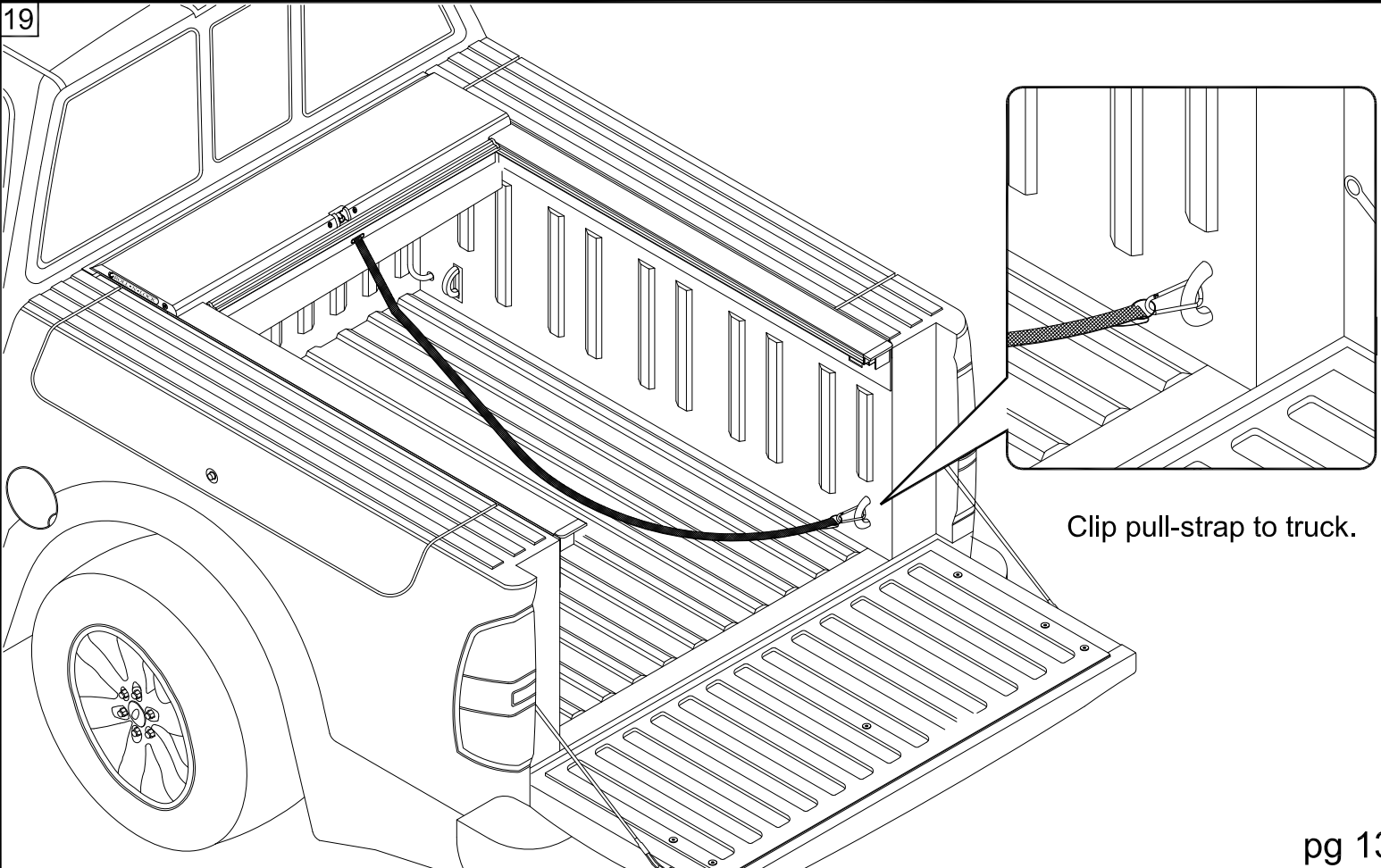


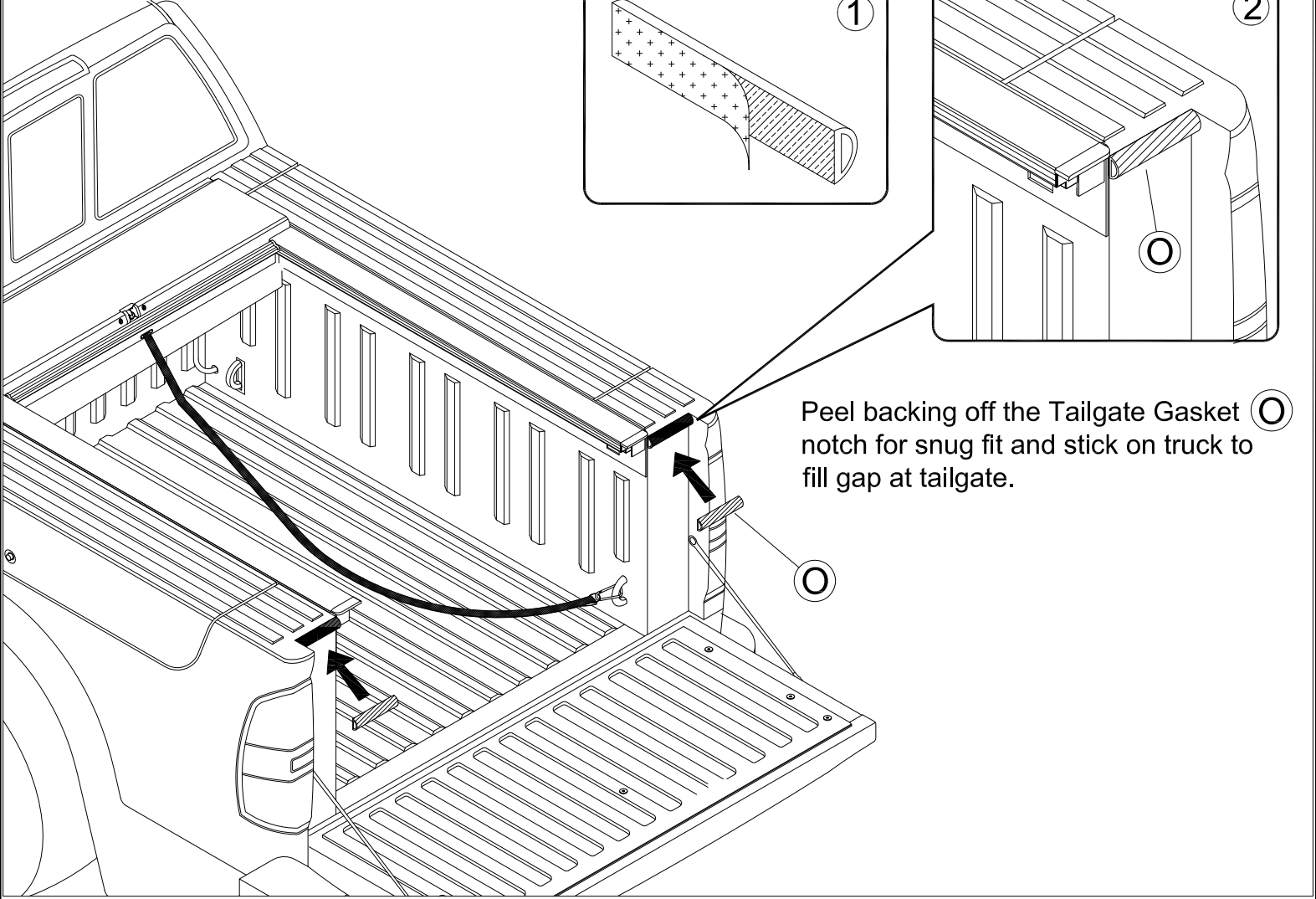
18 LHS = RHS



Fit one end of the Drain Tube (L) onto housing and insert other end into the existing hole on the side of truck.

19





Peel backing off the Tailgate Gasket (O) notch for snug fit and stick on truck to fill gap at tailgate.



Any questions please call Customer Service at 800-952-7655  
or email [customerservice@rollnlock.com](mailto:customerservice@rollnlock.com)