

INSTALLATION INSTRUCTIONS AND PARTS LIST

MODEL 415078, 415088, GRIP STEPS (BOARDS ONLY)

UNIVERSAL APPLICATIONS

1. Read instructions completely and check to make sure that all required parts (listed on the service parts list) are on hand before starting the installation.
2. Follow the instructions included with the specific bracket package that you are using to mount the brackets to your vehicle.
3. Step assembly:
 - 3.1 Before attaching the grip steps to the brackets, slide the appropriate number of support braces (item #2) into the channel of the step (item #1).
 - 3.2 Slide the end cap (item #3) over the front and rear of each step. Using the supplied #8 x 1/2" self drilling tek screw (item #8), screw the end cap to the bottom of the step.
4. Attaching the step to the mounting bracket:
 - 4.1 Set the step on the mounting brackets, and slide each support brace over the top of each mounting bracket. Attach the flat spacer plate (item #4) to the bottom of the step, between the support brace, and the top of the mounting bracket.
 - 4.2 Using the supplied 5/16-18 x 1" carriage bolt, washer, and flange nuts, (item #5, 6, 7), attach the step assembly, flat spacer plate and mounting bracket. **(NOTE: Some of the flange nuts are supplied in the specific bracket package, not the step package.)**
 - 4.3 Set the step plate in the correct position and tighten all fasteners.
Torque all 5/16" fasteners to 19 LB FT.

SERVICE PARTS LIST

ITEM	PART NO.	QTY	DESCRIPTION
1	551384	2	EXTRUSION-AL,77.62, GRIP STEP,BLK,415078
1	551385	2	EXTRUSION-AL,87.75,GRIP STEP,BLK,415088
2	551296	8	SUPPORT BRACE, UPPER, GALV
3	551394	4	CAP-END,GRIP STEP, BLACK, PLASTIC
4	551298	8	SPACER PLATE, LOWER, BLACK
5	108683	16	BOLT-CRG,5/16-18 X 1.0", SST
6	101369	16	WASHER-FLAT,5/16,SST
7	102680	16	NUT-SERR FLG,HX,SST,WX,5/16-18
8	107958	8	SCR-TEK #8-18 X 1/2",SST,BLK

LIVERNE
TRUCK EQUIPMENT

(A LIVERNE Company)

1200 E. Birch St.

Brandon, SD 57005

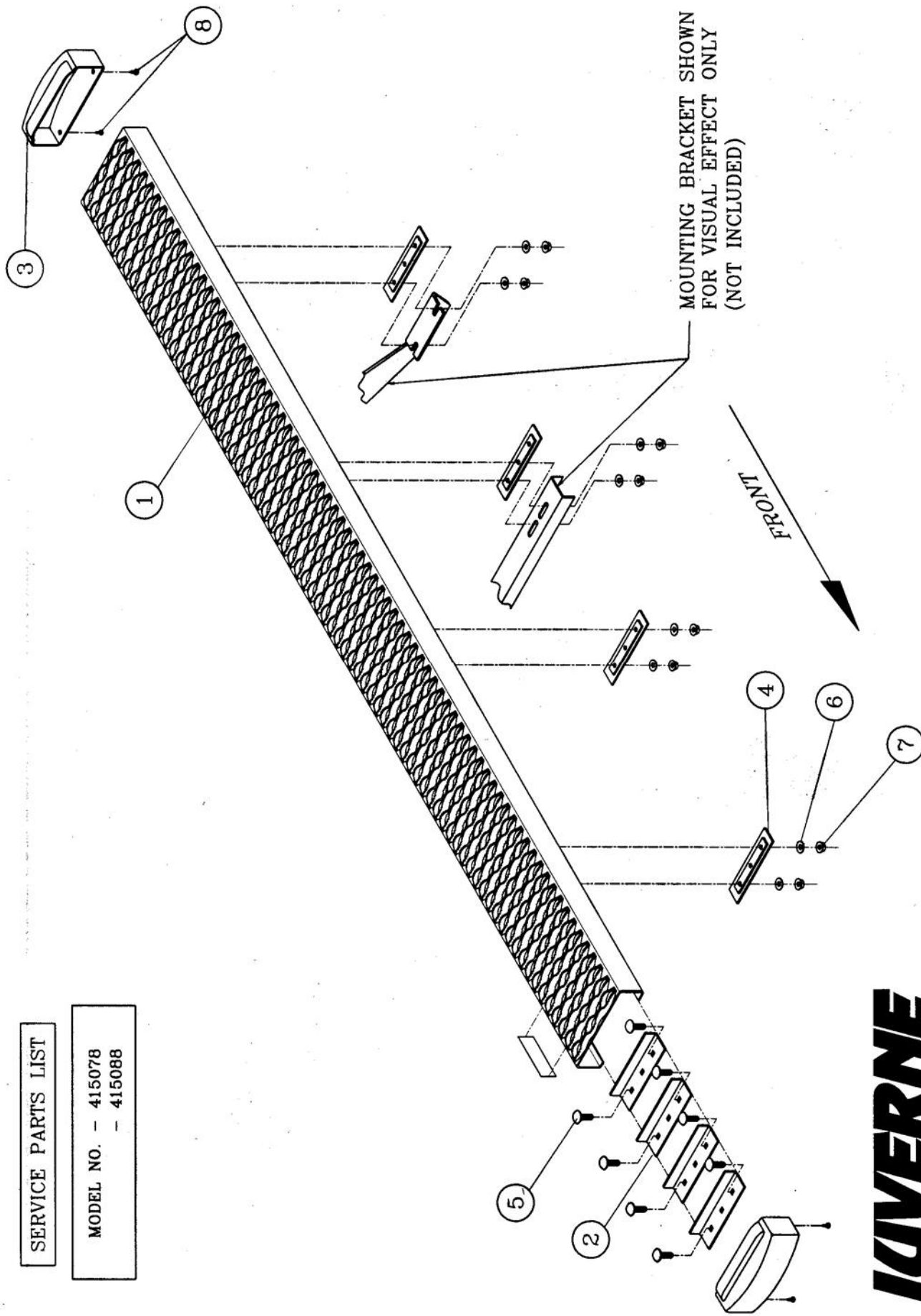
REV B 03DEC10

REV A 10JUL09

551267 SHEET 1 OF 2 20AUG08

SERVICE PARTS LIST

MODEL NO. - 415078
- 415088



LAVERNE
TRUCK EQUIPMENT
(A LAVERNE Company)

1200 E. Birch St.
Brandon, SD 57005

REV B 03DEC10
REV A 10JUL09
551267 SHEET 3 20AUG08

INSTALLATION INSTRUCTIONS AND PARTS LIST

MODEL 400757 GRIP\REGAL 7 STEPS W2W BRACKETS:

2007+ TOYOTA TUNDRA REGULAR & DOUBLE CAB PICKUPS W/ 6.5' & 8.0 BOXES
07+TOYOTA TUNDRA CREW MAX PICKUP 5.5' BOX



1. READ INSTRUCTIONS COMPLETELY AND CHECK TO MAKE SURE THAT ALL REQUIRED PARTS (LISTED ON SERVICE PARTS LIST) ARE ON HAND BEFORE STARTING THE INSTALLATION.
2. ATTACH THE MOUNTING BRACKETS TO THE VEHICLE USING EXISTING MOUNTING HOLES ON THE INTERIOR WALL OF THE ROCKER PANEL. **(NOTE: THE BRACKETS MUST BE PLACE IN THE PROPER POSITION. THEY ARE IDENTIFIED WITH NOTCHES ON THE INBOARD EDGE. [1 NOTCH IS FOR #1 BRACKET, ETC.] #1 WILL BE AT THE FRONT OF THE VEHICLE. SEE FIG. 1).**
 - 2.1 NOTE THAT ON THE REGULAR CAB APPLICATIONS YOU WILL ONLY USE BRACKETS #1 (ITEM #1) AND #3 (ITEM #3) FOR THE CAB MOUNTS.
 - 2.2 POSITION THE BRACKETS ON THE VEHICLE SO THAT BOTH HOLES LINE UP WITH THE THREADED INSERTS IN THE ROCKER PANEL ATTACH THE TOP OF THE BRACKET WITH A M8-1.25 X 25MM ZINC PLATED HEX HEAD CAP SCREW, 5/16" FLAT WASHER AND LOCK WASHER (ITEMS #14, #15 & #16). LEVEL THE BRACKETS AND TIGHTEN THE FASTENERS TO 19 LB FT.
3. ATTACH THE W2W BRACKET TO THE LEAF SPRING MOUNT.
 - 3.1 INSERT CLIPPED BOLT (ITEM # 11) INTO THE INBOARD BRACKET (ITEM #5 FOR DRIVERS SIDE, OR #6 FOR PASSENGERS SIDE) AND PLACE A NUT (ITEM #12) ON JUST A FEW THREADS LEAVING IT LOOSE FOR NOW.
 - 3.2 HOLD BRACKET UP TO LEAF SPRING MOUNT AND PLACE CLIPPED BOLT INTO OBROUND HOLE. FINGER TIGHT.
 - 3.3 INSERT TOP SCREW (ITEM #13) FROM BEHIND FRAME RAIL THROUGH LEAF SPRING MOUNT AND INBOARD BRACKET AND PLACE NUT (ITEM #12) LEAVE FINGER TIGHT UNTIL BOARD IS MOUNTED, THEN TIGHTEN BOTH 7/16-14 NUTS TO 54 LB-FT.
 - 3.4 MOUNT OUTBOARD BRACKET (ITEM #7) TO INBOARD BRACKET (ITEM #5 FOR DRIVERS SIDE, OR #6 FOR PASSENGERS SIDE) USING (2) SCREWS, WASHERS AND NUTS (ITEMS # 8, 9 &10) LEAVE THESE FASTENERS FINGER TIGHT UNTIL THE BOARD IS MOUNTED, THEN TIGHTEN TO 19 LB-FT. REPEAT STEPS 2 AND 3 ON THE PASSENGER SIDE.

NOTE : SEE STEP BOARD PACKAGE FOR INSTRUCTIONS ON MOUNTING YOU STEPS TO YOUR BRACKETS.

SERVICE PARTS LIST

ITEM	PART NO.	QTY	DESCRIPTION
1	551985	2	BRKT- MTG, STEP, #1, TOYOTA TUNDRA
2	551986	2	BRKT- MTG, STEP, #2, TOYOTA TUNDRA
3	551987	2	BRKT- MTG, STEP, #3, TOYOTA TUNDRA
4	551988	2	BRKT- MTG, STEP, #4, TOYOTA TUNDRA
5	552123	1	BRKT-MTG,INBOARD,REAR,LH (SHOWN)
6	552124	1	BRKT-MTG,INBOARD,REAR,RH
7	552125	2	BRKT-STEP,REAR,OUTBOARD,W2W
8	106997	4	SCREW HHC,SST,5/16 X 1.00,BZP
9	106998	4	WASHER STL,.38 X .88 X.083,BZP
10	106996	4	NUT FLANGED,SST,5/16"-18,BZP
11	104934	2	BOLT-CLIPPED HD,7/16-14 X 1.00,ZP
12	103737	4	NUT-HEX,FLANGED 7/16-14,ZP
13	103468	2	SCR-HEX HD,7/16-14 X 1.00,ZP
14	102549	16	SCREW-M8-1.25X25MM,ZP
15	100030	16	WASHER-LOCK, 5/16" ZP
16	100034	16	WASHER-FLAT, 5/16" ZP

SERVICE PARTS LIST

MODEL NO. - 400757

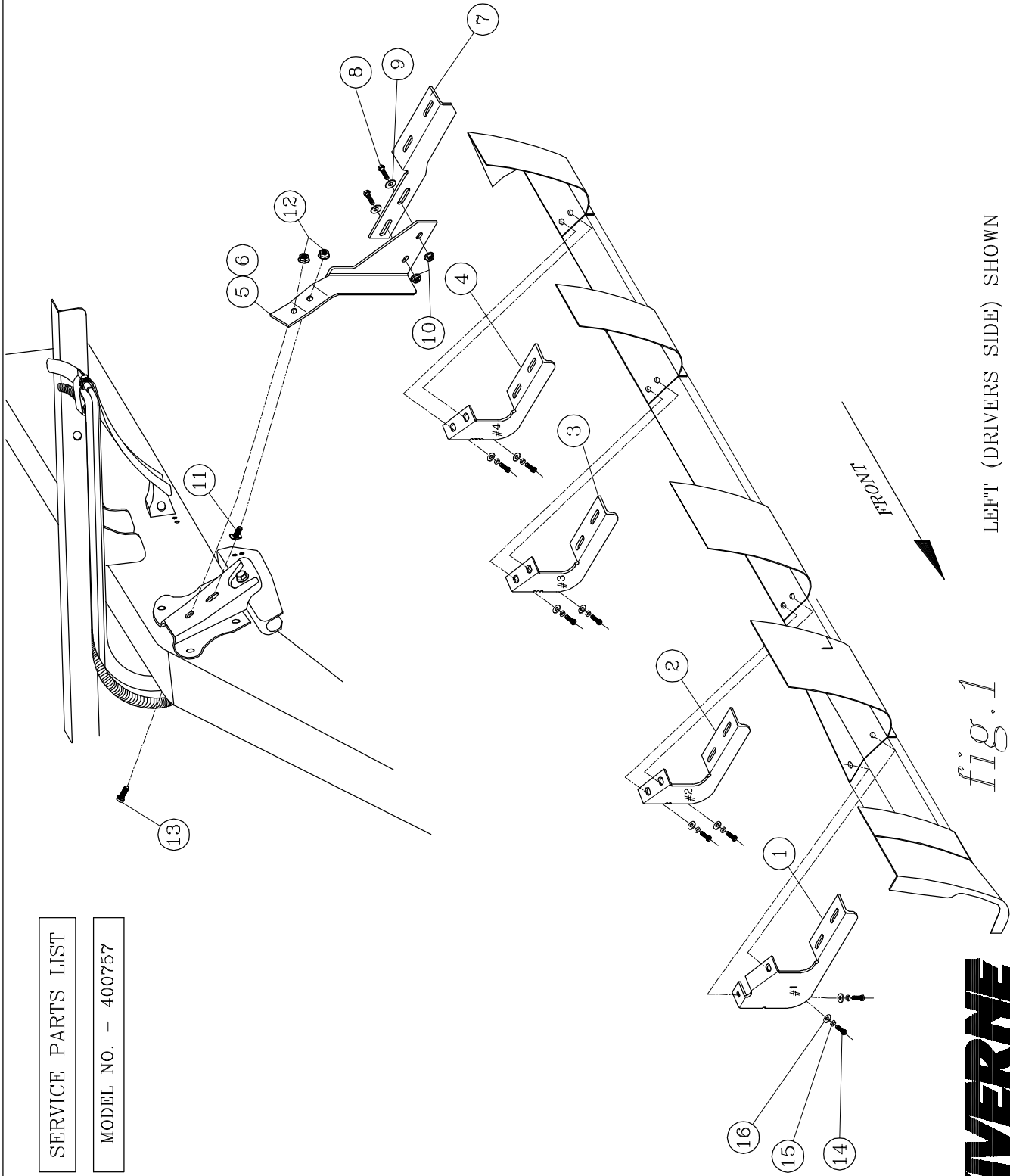


fig. 1

LEFT (DRIVERS SIDE) SHOWN



(A LOVERNE Company)

1200 E. Blvd. St. Brewster, SD 57805