

INSTALLATION INSTRUCTIONS AND PARTS LIST
MODEL 477054, 477060 REGAL 7 OVAL STEPS (BOARDS ONLY)
UNIVERSAL APPLICATIONS



1. Read instructions completely and check to make sure that all required parts (listed on the service parts list) are on hand before starting the installation.
2. Follow the instructions included with the specific bracket package that you are using to mount the brackets to your vehicle. The serial number label is located on the front inside drivers side step assembly.
3. The step is pre-assembled from the factory. The serial number label is located on the front inside drivers side step assembly.
- 4.
5. Attaching the step to the mounting bracket:
 - 4.1 Set the step on the mounting brackets, and slide each support mounting plate (item #9) inside the oval step and above each bracket.
 - 4.2 Using the supplied 5/16-18 x 1" black stainless steel hex bolt, washer, and serrated flange nut (items # 10,11&12) attach the step assembly, support mounting plate and mounting bracket.
 - 4.3 Set the step plate in the correct position and tighten all fasteners.
Torque all 5/16" fasteners to 19 LB FT.

SERVICE PARTS LIST

ITEM	PART NO.	QTY	DESCRIPTION
1&2	552054	2	REGAL 7 OVAL STEP, LH,RH,52",477054
1&2	552055	2	REGAL 7 OVAL STEP, LH,RH,58",477060
3	109233	2	END CAP LH REAR, RH FRONT,BLK PLASTIC
4	109232	2	END CAP RH REAR, LH FRONT,BLK PLASTIC
5	107863	8	BOLT-CARRAIGE, 10-24 X 0.50,SST, BLACK
6	108909	2	STEP PAD, 25" X 6.5", PLASTIC, BLACK
7	108908	12	BOLT-CARRAIGE, 10-24 X 1.0,SST, BLACK
8	107864	12	NUT-NYLOCK, 10-24, SST
9	552052	6	SUPPORT MTG PLT, 11 GA, GALV
10	106997	12	SCREW-HEX HD, 5/16-18X1.0,SST,BLACK
11	106998	12	WSHR-FLAT, 5/16, SST, BLACK
12	102680	12	NUT-SER FLG, 5/16-18, SST



(A LUVERNE Company)

1200 E. Birch St.

Brandon, SD 57005

REV A 31JUL12
552058 SHEET 1 OF 2 27FEB12

INSTALLATION INSTRUCTIONS AND PARTS LIST

APPLICATION:

MODEL 409921 STEP BRACKETS:

1999 AND NEWER FORD SUPER DUTY REGULAR CAB PICKUPS



1. READ INSTRUCTIONS COMPLETELY AND CHECK TO MAKE SURE THAT ALL REQUIRED PARTS (LISTED ON THE SERVICE PARTS LIST) ARE ON HAND BEFORE STARTING THE INSTALLATION.
2. INSTALL 5/16" MULTI THREAD U-NUTS (ITEM #8) IN THE TOP REAR HOLE OF THE FIRST, SECOND AND THIRD PATTERNS AND IN THE FRONT TOP HOLE OF THE FIFTH OR REAR PATTERN AS SHOWN. INSTALL THESE U-NUTS SO THAT THE THREADS ARE TO THE INSIDE OF THE ROCKER PANEL. (THIS IS DONE BY INSERTING THE THREADED HALF OF THE U-NUT THRU THE LARGE ACCESS HOLES AND SLIDING THE U-NUT TOWARDS THE ROUND HOLE UNTIL IT SEATS IN THE ROUND HOLE).
3. ATTACH THE MOUNTING BRACKETS TO THE VEHICLE AS FOLLOWS: [SEE FIG. 1]
(NOTE: THE FRONT MOUNTING BRACKET, ITEM #1, HAS A 3/16" OFFSET AT THE TOP OF THE BRACKET).
 - 3.1. POSITION THE BRACKETS (ITEM #1,2) ON THE VEHICLE SO THAT THE TOP HOLE LINES UP WITH THE MULTI THREAD U-NUT AND THE BOTTOM HOLE LINES UP WITH THE HOLE IN THE PINCH WELD. ATTACH THE TOP OF THE BRACKET WITH A 5/16" X 1.00" ZINC PLATED HEX HEAD CAP SCREW (ITEM #6) AND 5/16" ZINC PLATED FLAT WASHER (ITEM #7). ATTACH THE BOTTOM OF THE BRACKET TO THE PINCH WELD WITH A 5/16" X 1.00" BLACK PLATED HEX HEAD CAP SCREW (ITEM #3), 5/16" BLACK PLATED FLAT WASHER (ITEM #4) AND 5/16" SERRATED FLANGE NUT (ITEM #5). LEVEL THE BRACKETS AND TIGHTEN THE BOLTS.
4. ATTACHING THE STEP ASSEMBLY:
PLEASE REVIEW THE INSTALLATION INSTRUCTIONS THAT ARE INCLUDED IN YOUR STEP ASSEMBLY FOR SPECIFIC DETAILS.

SERVICE PARTS LIST

ITEM	PART NO.	QTY	DESCRIPTION
PARTS INCLUDED IN THE BRACKET PACKAGE			
1	551855	2	BRKT- MTG, STEP, SUPER DUTY PICKUP, FRONT
2	551854	4	BRKT- MTG, STEP, SUPER DUTY PICKUP
3	106997	6	SCREW- HEX HEAD CAP, 5/16-18 UNC X 1.00", SST, BZP
4	106998	6	WSHR-PL, A, SST, 5/16,.375 ID X .875 OD X .083 THK, BZP
5	102680	6	NUT-SERRATED FLANGE, HEX, SST, 5/16-18 UNC
6	100647	6	SCREW- HEX HEAD CAP, 5/16-18 UNC X 1.00".ZP
7	100034	6	WSHR-PL, A, STL, 5/16,.375 ID X .875 OD X .083 THK, ZP
8	104264	6	U-NUT- MULTI THREAD, 5/16-18 UNC, STL, BLK



(A LIVERNE Company)

1200 E. Birch St.

Brandon, SD 57005

REVISION B 05MAR12
REVISION A 11OCT11
551963 SHEET 1 OF 2 28JUL11

SERVICE PARTS LIST

BRACKET NO. - 409921

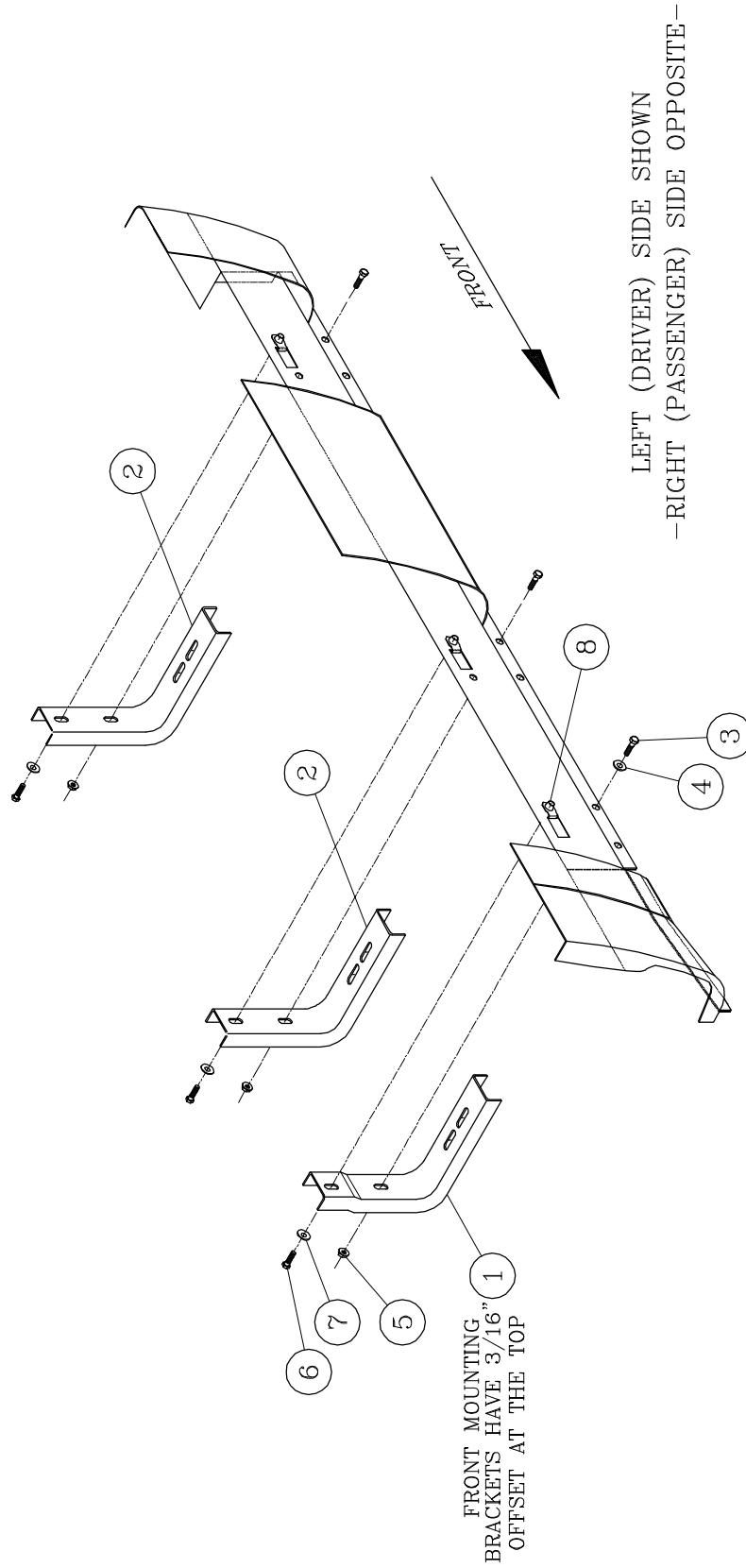


FIG. 1

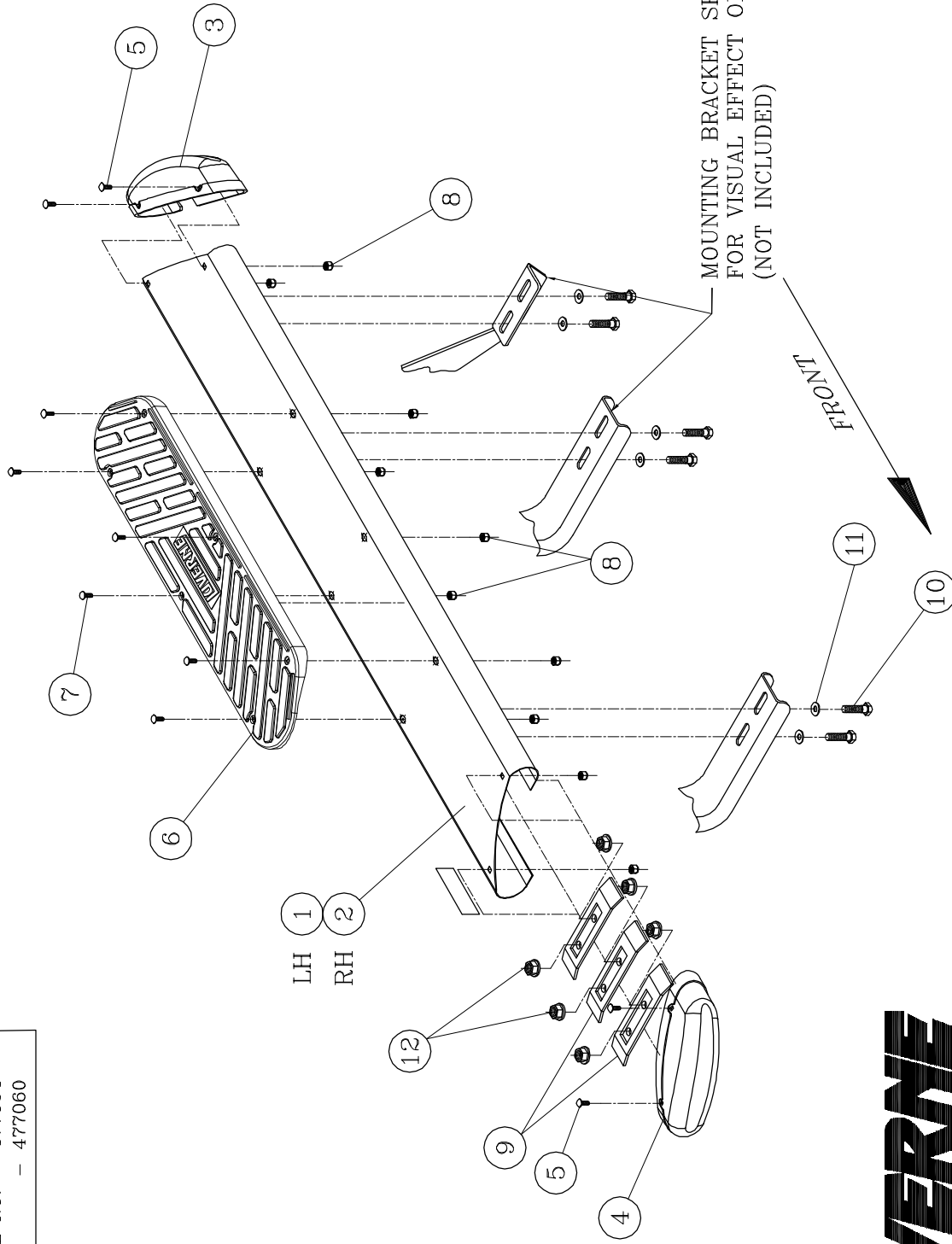


1200 E. Brady St.
Arundel, SD 57005

REVISION B 05MAR12
REVISION A 11OCT11
551963 SHEET 2 28JUL11

SERVICE PARTS LIST

MODEL NO. - 477054
 - 477060



LIVERNE
 TRUCK EQUIPMENT
 (A LIVERNE COMPANY)

1200 E. Birch St.
 Brown, SD 57005