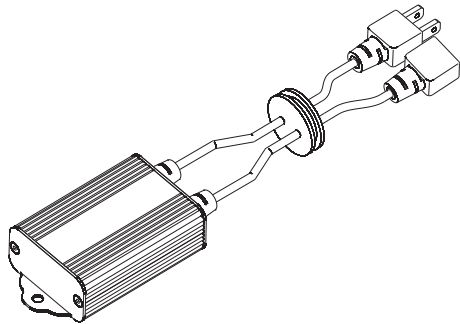


ALL-IN-ONE DECODER HARNESS

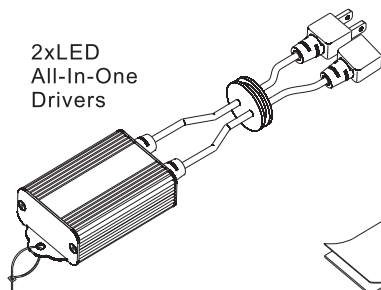
PRODUCT MANUAL



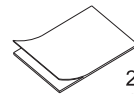
封面

What's included in the All-In-One Harness:

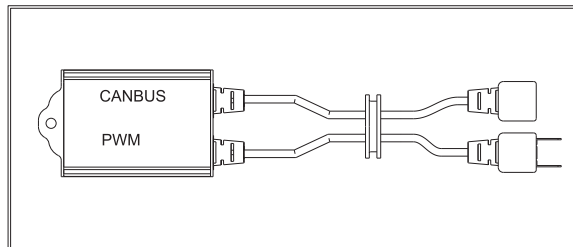
2xLED
All-In-One
Drivers



2x Straps



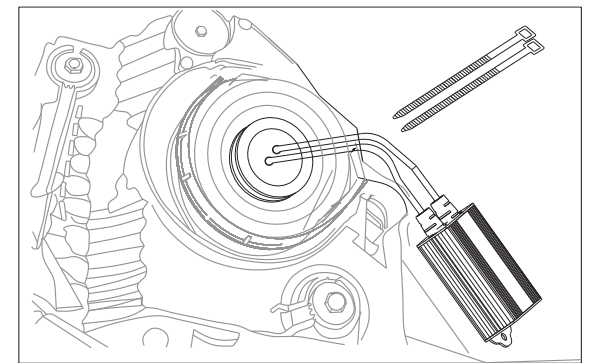
2xDouble Sided
Stickers



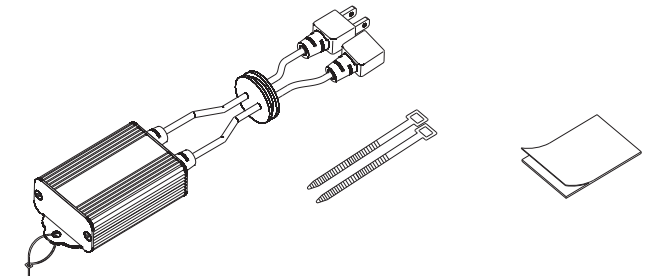
The All-In-One Harnesses provide fix for the following errors when converting your stock headlight or fog lights bulbs to LEDs:

1. Light turns on and off intermittently
2. Light flickering
3. Light out error on dash

内页1

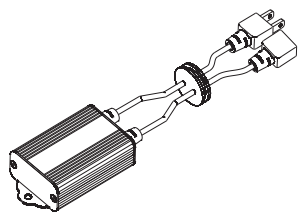


Notice: The All-In-One Harness generate heat up to 70° C degrees. If your headlamp has dust cap, it is recommended to wire the control box outside the dust cap to avoid premature failure caused by excessive heat inside the headlamp.



Please make sure to attached the All-In-One Harness to a metal or plastic surface. You can use the double-sided sticker, strap provided. Or utilize any existing holes and fasteners inside the engine bay.

内页2



Thank you for using our products!

V11001

For off road use only

封底

内页4

AFTER-SALE SERVICE

Purchase Date	(Year)	(Month)	(Date)
Warranty Period	(1 Years)		
Purchase Store			
Please paste the store's stamp and guarantee barcode here. Please notice the purchase date should be confirmed when you buy the product.			

内页3