

# NRTTNB

## Rear suspension package Ensemble pour suspension arrière Ensemble para suspensión de trasero

### INSTALLATION INSTRUCTIONS

- Raise vehicle allowing the axle to hang freely.
- Remove existing bump stop by prying out of bump stop cup.
- Remove existing OE bolt and attached OE cup to frame.
- Position Timbren spring assembly to location of OE cup as shown in Diagram.
- Ensure Timbren assembly is properly seated.
- Secure Timbren assembly using Timbren supplied fasteners.
- Lower vehicle.

### INSTRUCTIONS DE MONTAGE

- Soulevez le véhicule en laissant l'essieu pendre librement.
- Retirez la butée de butée existante en faisant levier sur la coupelle de butée.
- Retirez le boulon OE existant qui fixe la coupelle OE au cadre.
- Positionnez l'ensemble de ressort Timbren à la position de la coupelle d'arrêt de butée d'origine comme indiqué sur le schéma.
- Assurez-vous que l'assemblage Timbren est correctement installé.
- Serrez l'assemblage Timbren à l'aide des fixations fournies par Timbren.
- Abaisser le véhicule.

### INSTRUCCIONES DE INSTALACION

- Levante el vehículo permitiendo que el eje cuelgue libremente.
- Retire el tope existente haciendo palanca en la tapa del tope.
- Retire el perno existente de OE que une la copa OE al marco.
- Coloque el ensamble del resorte Timbren en la taza de tope de tope como se muestra en el Diagrama.
- Asegúrese de que el conjunto de Timbren esté correctamente asentado en la taza de tope de tope.
- Apriete el conjunto Timbren y la copa de OE al marco utilizando los sujetadores provistos por Timbren.
- Bajar vehículo.

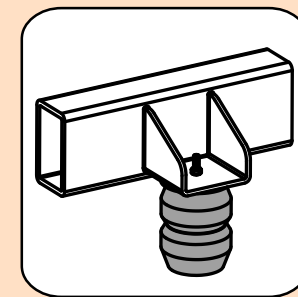
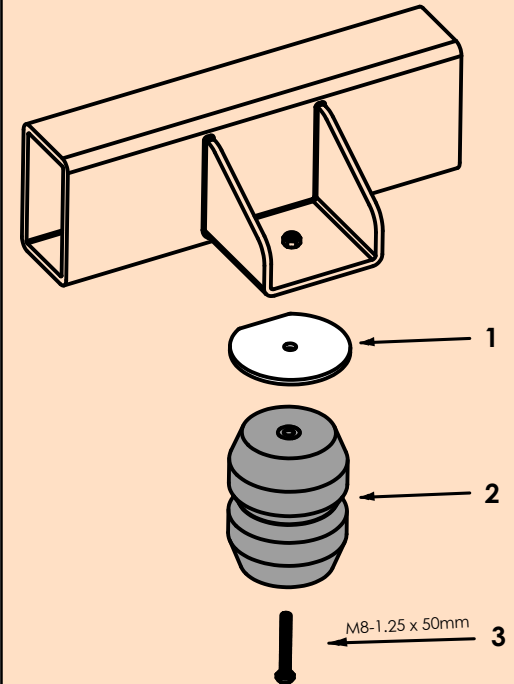
Do not exceed vehicle manufacturer's recommended axle weight rating. Check for AEON® interference with vehicle components - Under load AEON® will "expand" in diameter.


Ne pas dépasser le poids nominal sur l'essieu recommandé par le fabricant du véhicule. Vérifier que le ressort AEON® n'a pas d'incidence sur d'autres pièces du véhicule - Le ressort AEON® augmentera son diamètre avec la charge.

No exceda la carga nominal en el eje recomendada por el fabricante del vehículo. Compruebe que no haya interferencia entre el resorte AEON® y los otros componentes del vehículo. Bajo carga, el resorte AEON® se ampliará en diámetro.

Ref. = Reference = No. de référence = Núm. de referencia  
Part = Part #. = No. de pièce = Núm. de pieza  
Qty. = Quantity = Quantité = Cantidad

Ref	Part	Qty
1	K54018-003	2
2	A00535-65BJ30	2
3	F11510-350	2



NRTTNB 

## NRTTNB

TIMBREN INDUSTRIES INC.

[www.timbren.com](http://www.timbren.com)

PART NUMBER	DESCRIPTION	QTY	LOCATION
F11510-350	HCS M8 x 50 x 1.25 Gr 8.8 Z	2	H3C
A00535-65BJ30	Hollow Rubber Spring	2	C7B
K54018-003	DISC	2	D18B
B90200-CR	SMALL REAR BOX - 9.5 x 7 x 5.5	1	A--E
B10000	8" X 12" BUBBLE FOR KITS	1	
B00029-010	BARCODE LABEL FOR KIT	1	

### ASSEMBLY NOTES:

Issued: 09/24/2020

#### Clearance Instructions:

Rear SES Kits for Pick-Ups and Vans should have a 1/2" to 1-1/2" gap between the rubber spring and contact point when empty.

A partial load, or vehicle accessories will reduce or eliminate the gap.

Front SES kits are usually in full contact.

Medium and Heavy-Duty Trucks, Trailers and Motorhomes will be in constant contact, and have no gap.

#### Lifetime Warranty:

Timbren SES Kits are warranted against defects in material and workmanship, under normal use and service, for the life of the vehicle on which the kit was originally installed. The warranty is not transferable and proof of purchase is required. The warranty is limited to the replacement of the failed part.

TIMBREN will not be responsible for any labour or freight charges involved in the replacement of any product. TIMBREN shall be entitled to make its own inspection to determine the validity of the claim. TIMBREN shall not be liable nor warranty the product in the event of alteration, misuse, overload, negligence or damage caused by others.

If ride or performance of our product is unsatisfactory in any way, please call: 1-800-263-3113 or email [sales@timbren.com](mailto:sales@timbren.com)