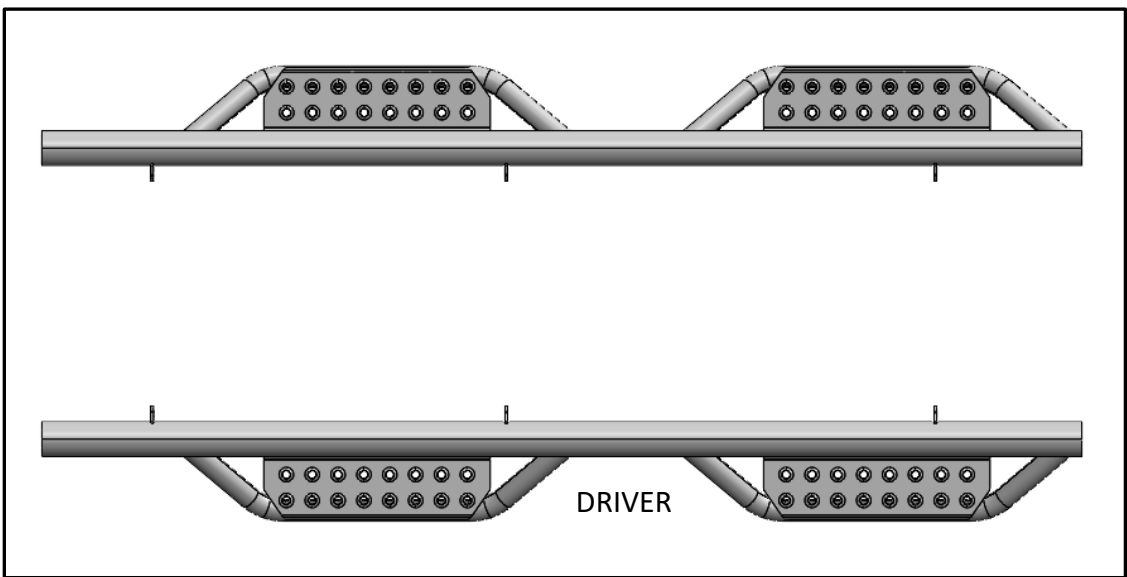


HARDWARE DESCRIPTION		QTY.
<b>HWKT-00848X</b>		
CLIP-00645X	3/8"-16 X 9/16" BARREL NUT	6
FDRW-00736X	M8 FENDER WASHER	6
FDRW-03082X	M6 FENDER WASHER	24
FTW-00663X	3/8" USS FLAT WASHER	6
H HCS - 00649X	M8-1.25 X 35MM CLASS 8.8 HEXCAP SCREW	6
H HCS-00685X	3/8"-16 X 1-1/2" GRADE 5 HEX CA[ SCREW	6
H HCS-03080X	M6-1.00 X XXMM CLASS 8.8 HEX CAP SCREW	12
HXNT-03083X	M6-1.00 CLASS B FINISHED HEX NUT	12
	M10 CARRIAGE BOLT	12
	M10 FLANGED HEX NUT	12

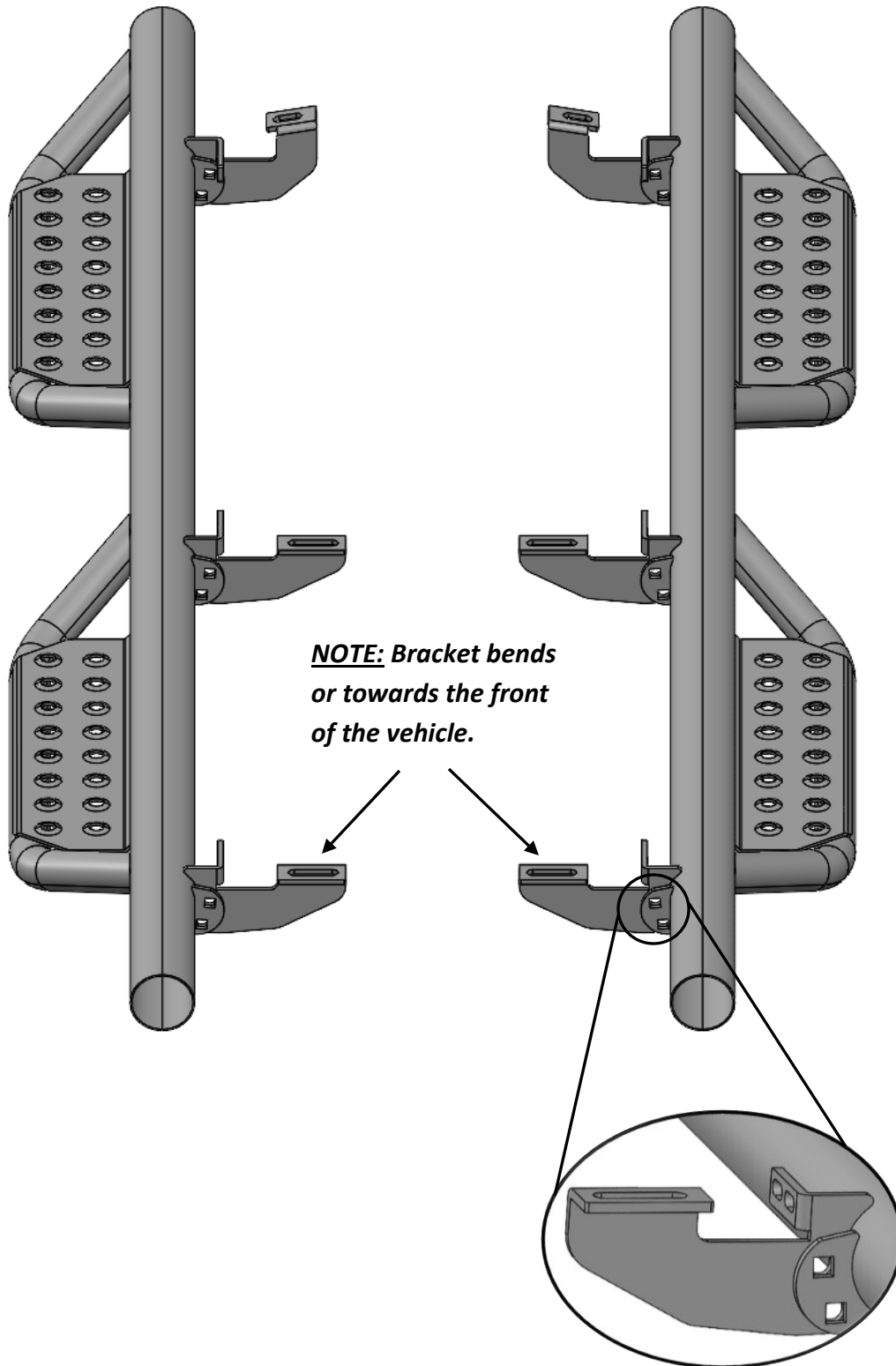


PARTS INCLUDED	QTY
DRIVER SIDE	1
PASSENGER SIDE	1
MOUNTING BRACKETS	6

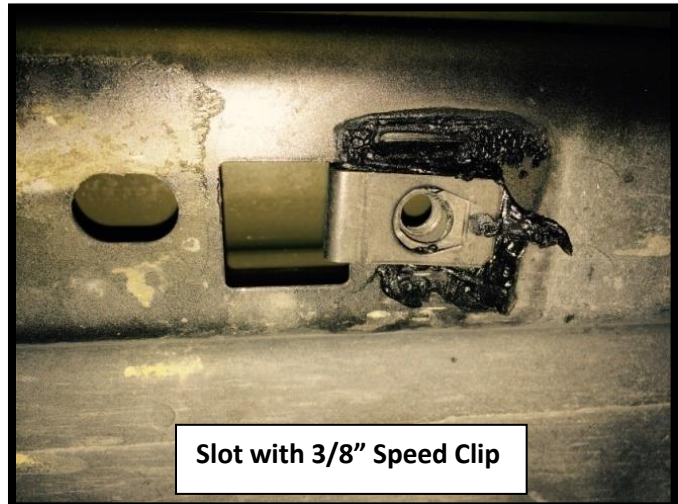
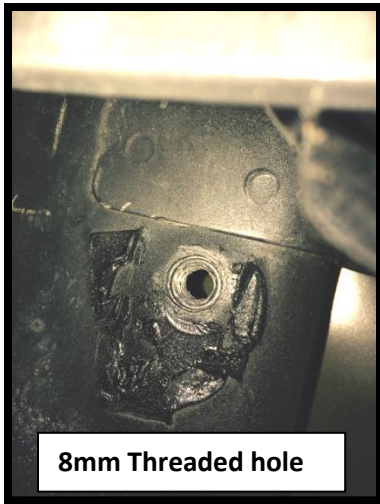
**Step 1:** Locate the driver side step rail.



**Step 2.** Install the (x6) mounting brackets to each attachment point on the main tube and leave loose for now. **NOTE: Mount the bracket on the back side of the welded tab so the threaded part of the fastener points towards the rear of the vehicle.**



**Step 3:** Depending on your cab model, you will have to identify which hardware you will have to use for the upper (3) mounts on the underside of the body. There will either be existing 8mm threaded holes for the M8 x 20mm hex head bolts or open slots for the 3/8" speed clips and 3/8" x 1 1/4" Hex bolts.



**Step 4** Carefully raise step rail up to the pinch weld of the body and align brackets up with the factory mounting locations.

**Step 5** Depending on your hardware selection made in step 2, fasten the upper mounts and leave loose at this time.



**Step. 6** Next, start all (x6) ¼-20"x 3/4" hex bolts, (x12) M8 flat washers, (x6) 5/16" lock washers and (6) ¼"-20 HC Nut in the pinch weld mounting locations and leave loose for now.



**Step. 7:** After final positioning, completely tighten all (x6) ¼"-20 x ¾" in the pinch weld attachment.

**Step. 8:** Next, tighten all (x3) upper body mount positions to 17-20 Ft/lbs. torque.

**Step 9:** Finish by tightening all three brackets at the main tube.

**Step 10:** Re-peat steps 3-9 with passenger side.

