



AUTOMOTIVE PRODUCTS,

# INSTALLATION INSTRUCTIONS

## HDX DROP STEP

### APPLICATION:

2007-2017 Chevy Silverado / GM Sierra / 1500-2500-3500  
Ext. / Double / Crew Cab

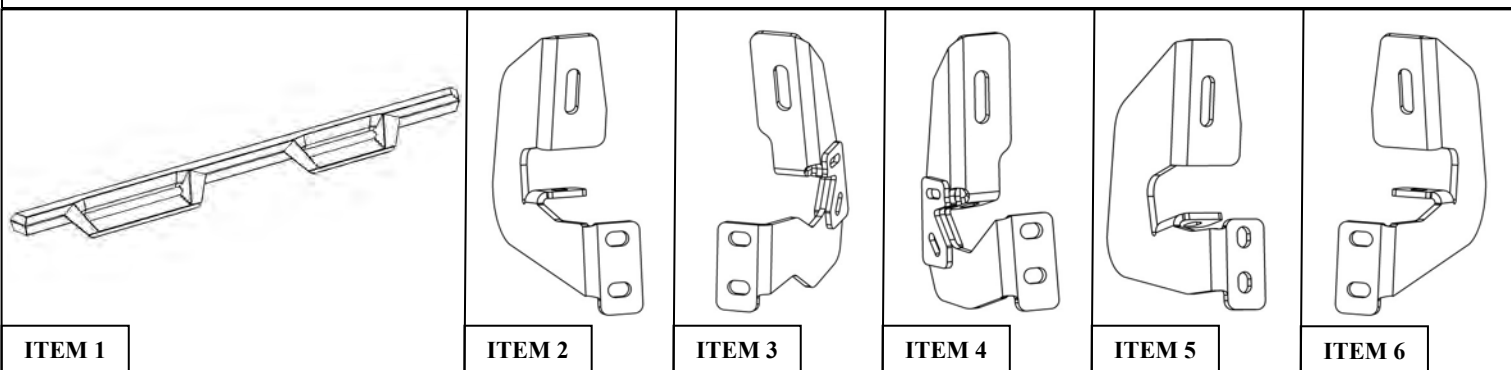
### PART NUMBER:

56-13715, 56-13725

ITEM	QUANTITY	DESCRIPTION	TOOLS NEEDED
1	2	STEP BAR ASSEMBLY	RATCHET 1/4" & 3/8"
2,3	2	CENTER MOUNT BRACKET, DRIVER (2) AND PASSENGER (3)	TORQUE WRENCH
4	2	MOUNTING BRACKET A	10MM SOCKET
5	2	MOUNTING BRACKET B	13MM SOCKET
6*	1	MOUNTING BRACKET C	13MM WRENCH
7	12	M8 HEX HEAD BOLT LONG (YELLOW ZINC)	SOCKET EXT.
8	12	M8 HEX HEAD BOLT SHORT (YELLOW ZINC)	13MM RATCHET WRENCH
9	24	M8 FLAT WASHER (YELLOW ZINC)	
10	24	M8 LOCK WASHER (YELLOW ZINC)	
11	12	M8 U-NUT CLIP (YELLOW ZINC)	

**ANTI-SEIZE LUBRICANT MUST BE USED ON ALL STAINLESS STEEL FASTENERS TO PREVENT THREAD DAMAGE AND GALLING**

**ITEM WITH ( \* ) - IS ONLY USED FOR 1500 CREW APPLICATIONS**



### PROCEDURE

1. Remove contents from box, verify if all parts listed are present and free from damage.  
Carefully read and understand all instructions before attempting installation.  
**Failure to identify damage before installation could lead to a rejection of any claim.**

**NOTE: For installation on diesel equipped vehicles.**

**\*DEF tank is located on the Front Passenger Side of the vehicle**

#### 2016 & Down Models

- Def tank must be removed and lowered. Follow the instructions on page 4.
- Return to page 2 and follow instructions 1-7.
- Reinstall Def tank.

#### 2017 & Up Models

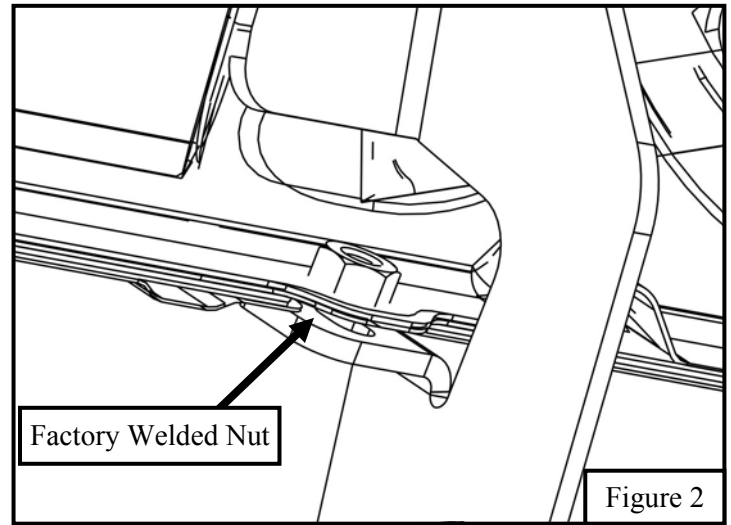
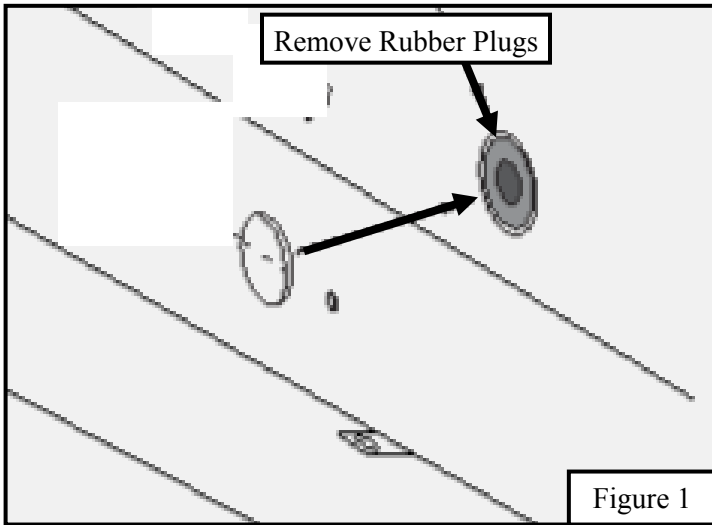
- Def Tank does not need to be removed, only remove the DEF tank cover. Follow the instructions on page 5.
- Return to page 2 and follow instructions 1-7
- Reinstall Def tank cover.



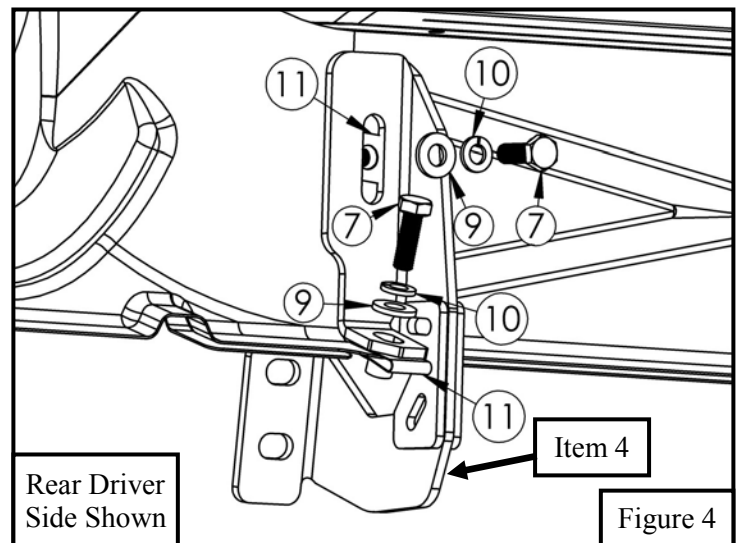
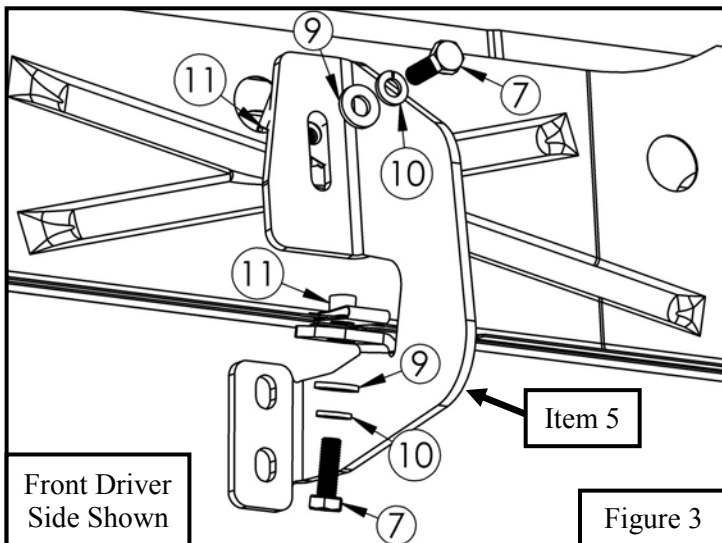
Westin Automotive Products, Inc.  
320 W. Covina Blvd  
San Dimas, Ca. 91773

Thank you for choosing Westin products  
for additional installation assistance please call  
Customer Service (800) 793-7846  
www.westinautomotive.com

1. Starting on the driver side, remove the rubber plugs located on the rocker panel at each mounting location. See **Figure 1**.
2. **For models with welded nuts:** At each bracket mounting location on the pinch weld there should either be a welded factory nut or a hole. If there is a factory welded nut present, then the M8 U-Nut Clip (Item 11) will not be used at that location. See **Figure 2** for the factory welded nut.



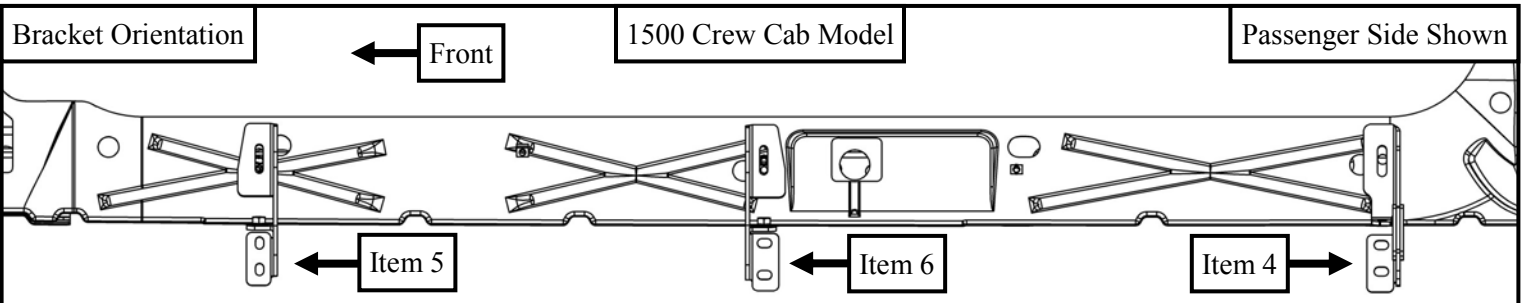
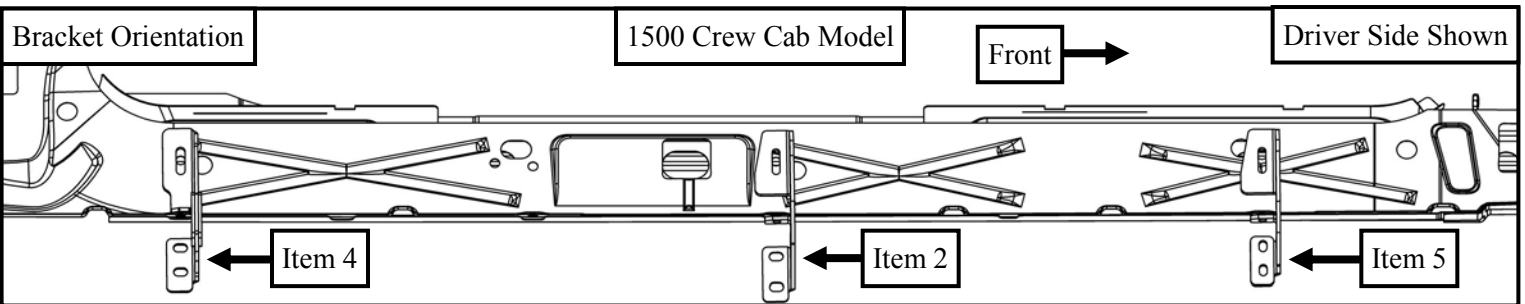
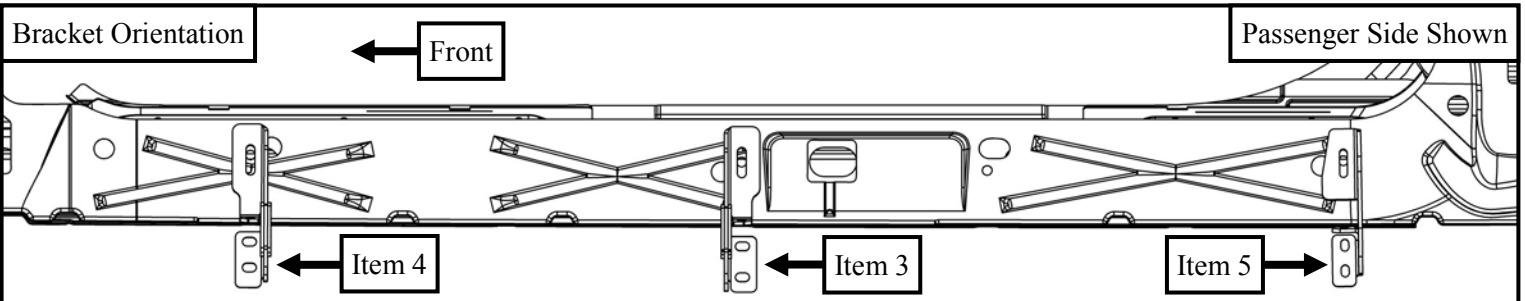
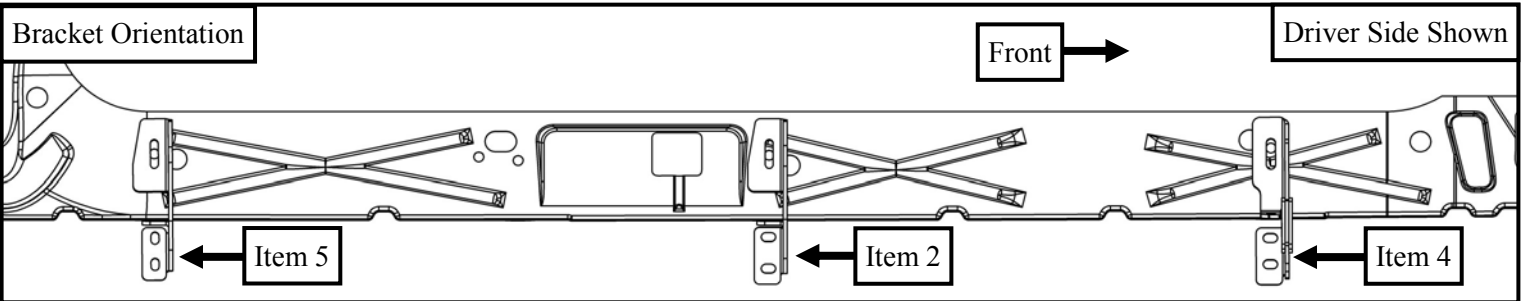
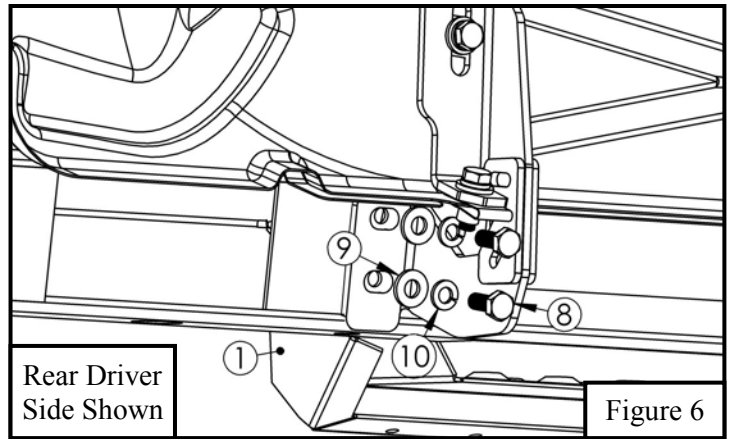
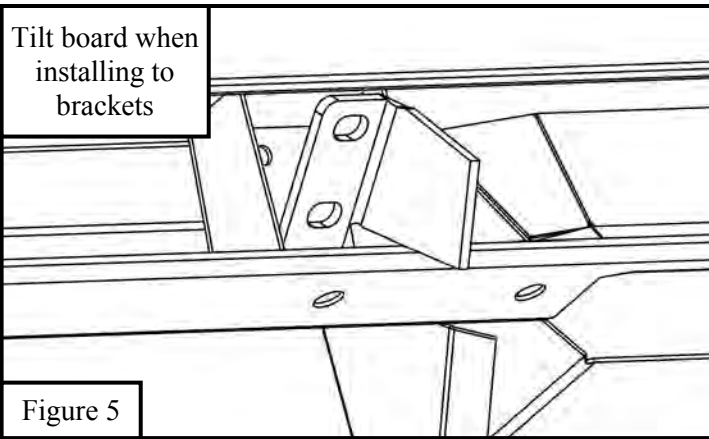
3. Insert (1) M8 u-nut clip (Item 11) into the hole where the rubber plug was removed. Clip (1) M8 u-nut clip onto pinch weld if no factory welded nut is present. Locate (1) Mounting Bracket B (Item 5) and loosely secure it to the rocker panel using the provided hardware: (2) M8 hex head bolt long, (2) M8 flat washer, and (2) M8 lock washer. See **Figure 3**.
4. Repeat **Step 3** for every other bracket mounting location, see **Page 3** for bracket orientation and location.
5. Locate (1) Mounting Bracket A (Item 4) and go to the front passenger side mounting location or passenger rear for 1500 crew cab models. Loosely secure mount bracket A to the rocker panel using (2) M8 hex head bolt long, (2) M8 flat washer, (2) M8 lock washer and (2) M8 u-nut clip. See **Figure 4**. **Note:** For installation on diesel equipped vehicles follow diesel exhaust fluid tank removal instructions on **page 3 & 4**. Refer to **Page 3** bracket orientation figures.



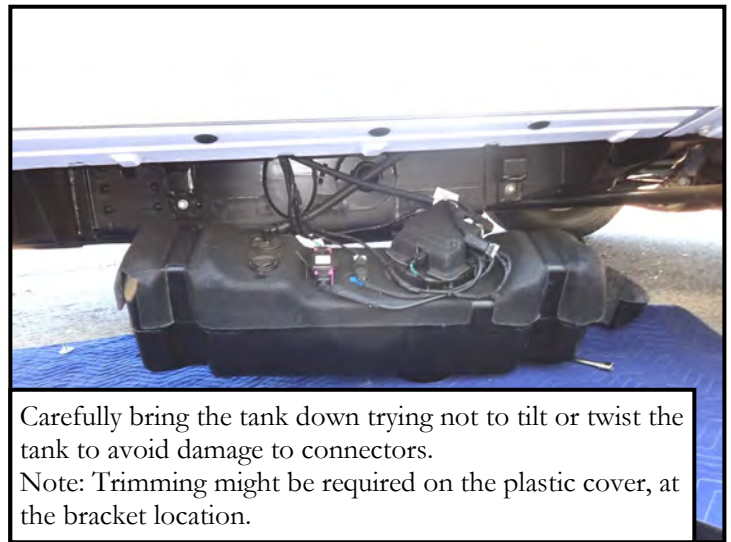
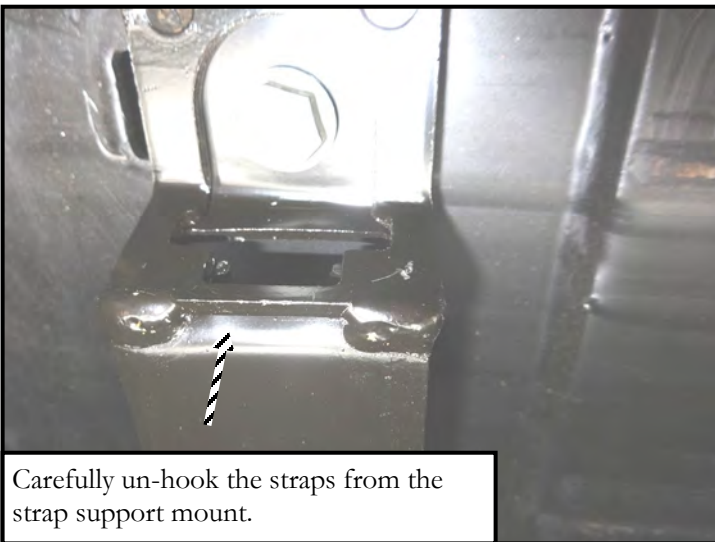
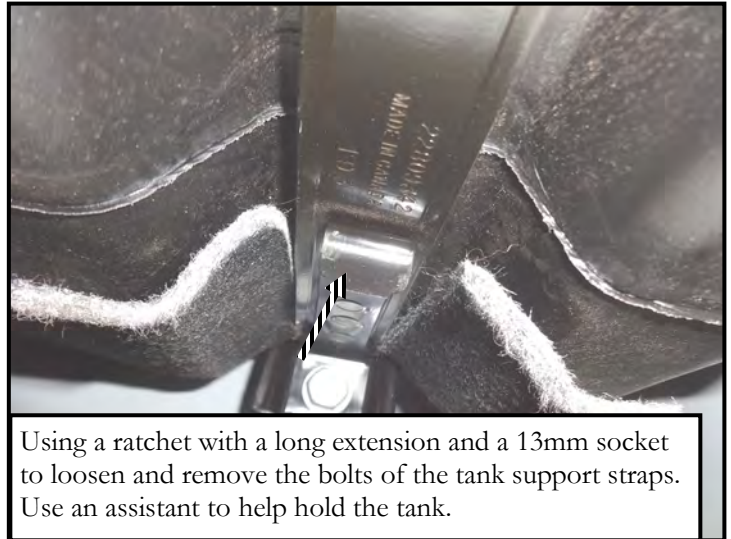
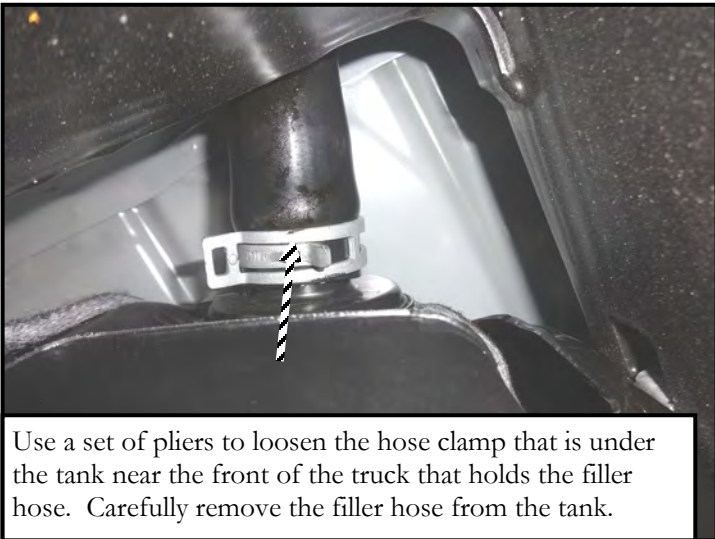
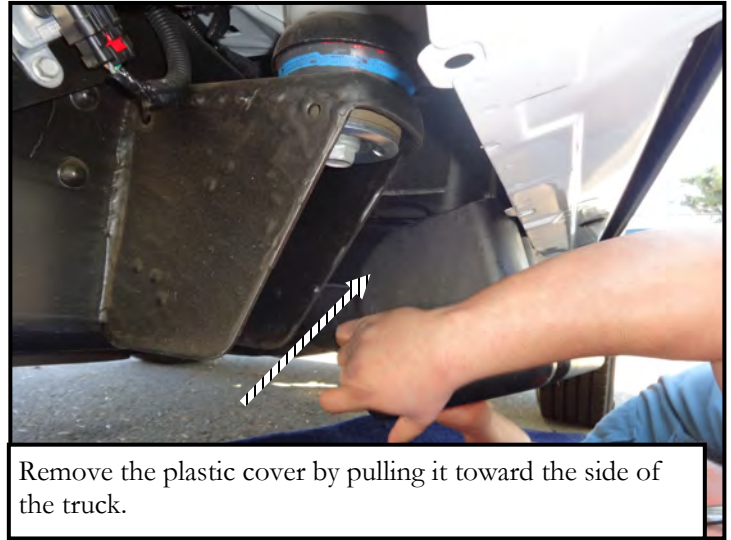
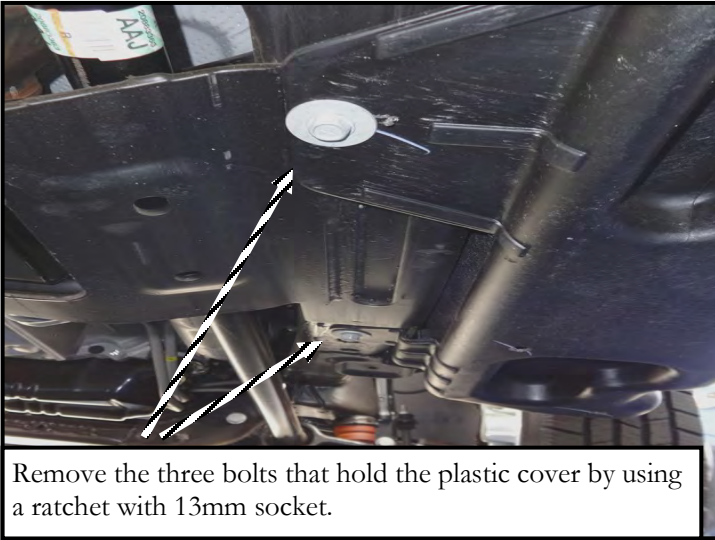
6. For Step Board installation, tilt board at angle to insert brackets into mounting locations. With the previously installed mounting brackets use the supplied M8 hardware with M8 hex head bolt short, then loosely install. See **Figure 5 and 6**.
7. Align and adjust the step bars and brackets as needed, then fully tighten all hardware: M8 to 20 ft-lbs.



Westin Automotive Products, Inc.  
320 W. Covina Blvd  
San Dimas, Ca. 91773

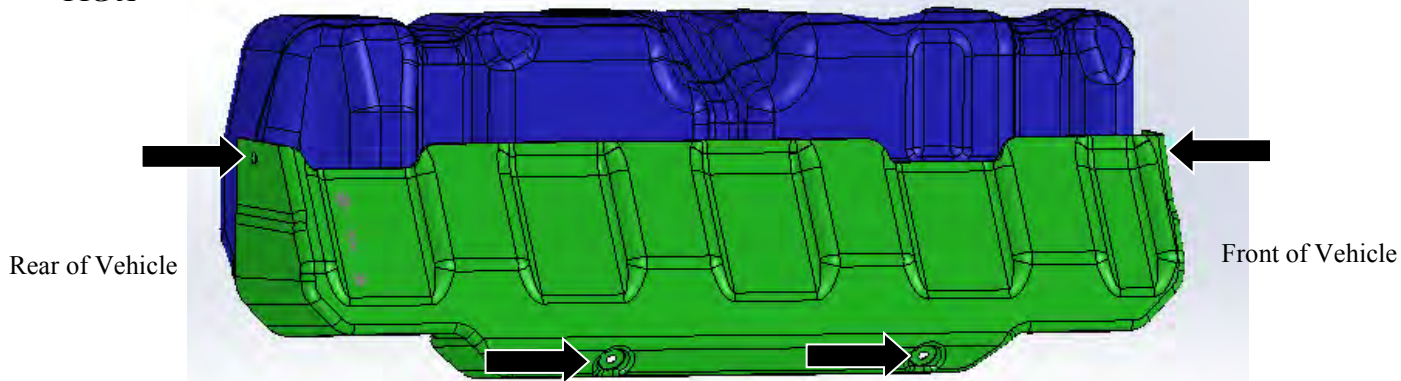


# 2007 - 2016 DIESEL EXHAUST FLUID TANK REMOVAL INSTRUCTIONS w/Diesel Power Train Only



**2017 & Up Diesel Models, Note :** Using a 10MM wrench, remove the four bolts that hold the DEF tank plastic cover to the vehicle before installing brackets. Once step bar is fully installed, fasten the tank cover back on. See below **Fig. A**

**FIG A**



**INSTALLATION COMPLETE**



**Care Instructions**

- REGULAR WAXING IS RECOMMENDED. DO NOT USE ANY TYPE OF POLISH OR WAX THAT MAY CONTAIN ABRASIVES.
- STAINLESS STEEL PRODUCTS CAN BE CLEANED WITH MILD SOAP AND WATER. STAINLESS STEEL POLISH SHOULD BE USED TO POLISH SMALL SCRATCHES.
- GLOSS BLACK FINISHES SHOULD BE CLEANED WITH MILD SOAP AND WATER.



Westin Automotive Products, Inc.  
320 W. Covina Blvd  
San Dimas, Ca. 91773

**Thank you for choosing Westin products  
for additional installation assistance please call  
Customer Service (800) 793-7846  
www.westinautomotive.com**



SIGNATURE OF QUALITY

AUTOMOTIVE PRODUCTS, INC.



## WARNING



Failure to follow these instructions could lead to death, personal injury, and / or property damage.

### FASTENERS:

All Westin supplied fasteners must be utilized and installed in accordance with the installation instructions and apply torque to the specifications as defined. **DOUBLE CHECK ALL FASTENERS BEFORE INITIAL USE, AND PERIODICALLY IN THE FUTURE TO ENSURE PROPER FUNCTION AND SAFETY.**

### DRILLING:

Most Westin products do not require drilling for installation. If drilling is defined as required, use caution when drilling a vehicle. **FAILURE TO REVIEW AN AREA TO BE DRILLED MAY RESULT IN PERSONAL INJURY AND/OR INJURY TO OTHERS AS WELL AS VEHICLE DAMAGE.**

### EYE PROTECTION:

**ALWAYS WEAR SAFETY GLASSES OR GOGGLES DURING THE INSTALLATION PROCESS TO AVOID PERSONAL INJURY.**

### MAXIMUM TOWING/CARRYING CAPACITY:

The Westin Receiver Hitches will have a visible tow rating label affixed directly on the product. User should never exceed the vehicle manufacturers maximum tow and weight rating regardless of the capacity of the hitch. **FAILURE TO FOLLOW THESE GUIDELINES WILL VOID THE WESTIN WARRANTY AND MAY RESULT IN PERSONAL INJURY AND/OR INJURY TO OTHERS AS WELL AS VEHICLE DAMAGE.**



Westin Automotive Products, Inc.  
320 W. Covina Blvd  
San Dimas, Ca. 91773