



INSTALLATION INSTRUCTIONS

HDX DROP STEP WTW

AUTOMOTIVE PRODUCTS,

APPLICATION:

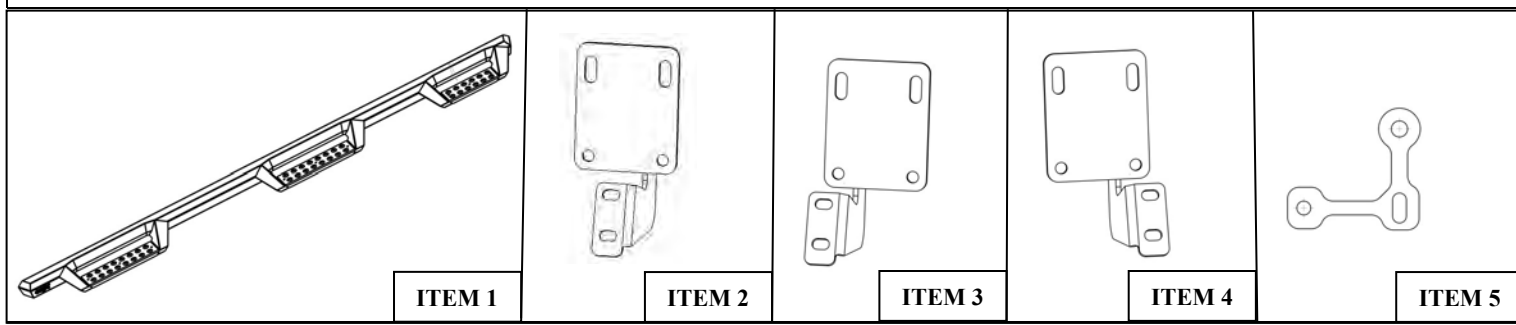
1999-2016 Ford F250 / F350 / F450 / F550 - Super Crew 6 Ft Bed

PART NUMBER:

56-534015, 56-5340152

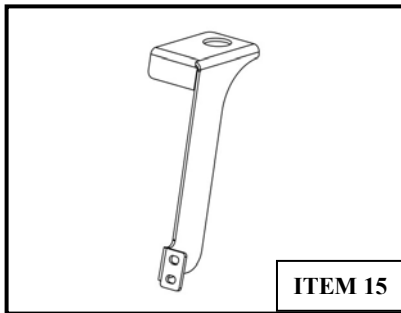
CONTENT			
ITEM	QUANTITY	DESCRIPTION	TOOLS NEEDED
1	2	STEP BAR ASSEMBLY	3/8" DRIVE RATCHET
2	4	MOUNTING BRACKET	1/2" DRIVE RATCHET
3	1	DRIVER SIDE CENTER MOUNTING BRACKET	TORQUE WRENCH
4	1	PASSENGER SIDE CENTER MOUNTING BRACKET	13MM SOCKET
5	2	FRONT SPACER PLATE	ALLEN WRENCH
6	10	M8 EXTRUDED U-NUT (ZINC PLATED)	SOCKET EXT.
7	12	M8 HEX NUT (BLACK ZINC)	13MM WRENCH
8	12	M8 BUTTON HEAD CAP SCREW (BLACK ZINC)	18MM SOCKET
9	12	M8 SPLIT LOCK WASHER (BLACK ZINC)	19MM SOCKET
10	24	M8 FLAT WASHER (BLACK ZINC)	18MM WRENCH
11	12	SHORT M8 HEX HEAD CAP SCREW (YELLOW ZINC)	19MM WRENCH
12	14	LONG M8 HEX HEAD CAP SCREW (YELLOW ZINC)	
13	26	M8 SPLIT LOCK WASHER (YELLOW ZINC)	
14	26	M8 FLAT WASHER (YELLOW ZINC)	
15,16	2	ISOLATOR BRACKET, DRIVER (15) AND PASSENGER (16)	
17, 18	2	TOP ISOLATOR MOUNT BRACKET, DRIVER (17) AND PASSENGER (18)	
19	2	M12 HEX HEAD CAP SCREW (YELLOW ZINC)	
20	6	M12 SPLIT LOCK WASHER (YELLOW ZINC)	
21	2	M12 FISH WIRE	
22	4	M12 BOLT PLATE	
23	4	M12 HEX NUT (YELLOW ZINC)	
24	4	M12 FLAT WASHER (YELLOW ZINC)	
25	2	ISOLATOR KIT	

ANTI-SEIZE LUBRICANT MUST BE USED ON ALL STAINLESS STEEL FASTENERS TO PREVENT THREAD DAMAGE AND GALLING

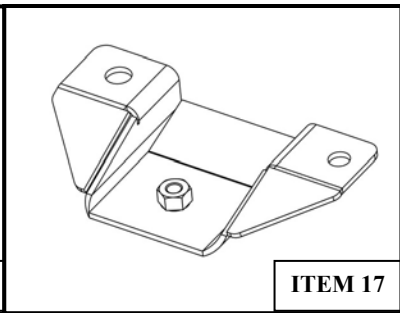


Westin Automotive Products, Inc.
320 W. Covina Blvd
San Dimas, Ca. 91773

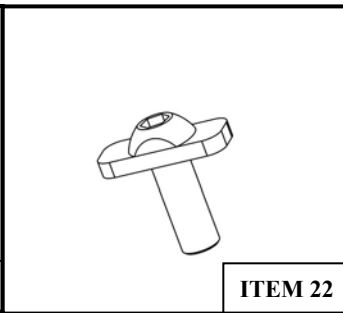
Thank you for choosing Westin products
for additional installation assistance please call
Customer Service (800) 793-7846
www.westinautomotive.com



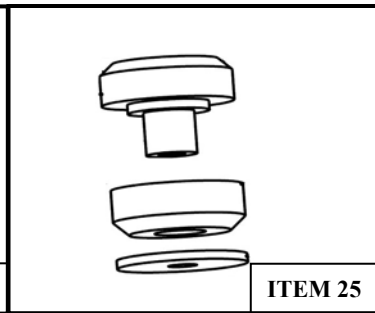
ITEM 15



ITEM 17



ITEM 22



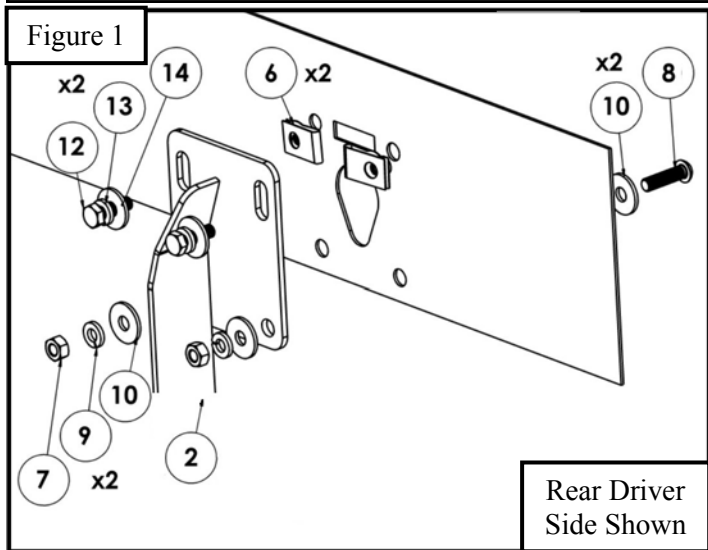
ITEM 25

PROCEDURE

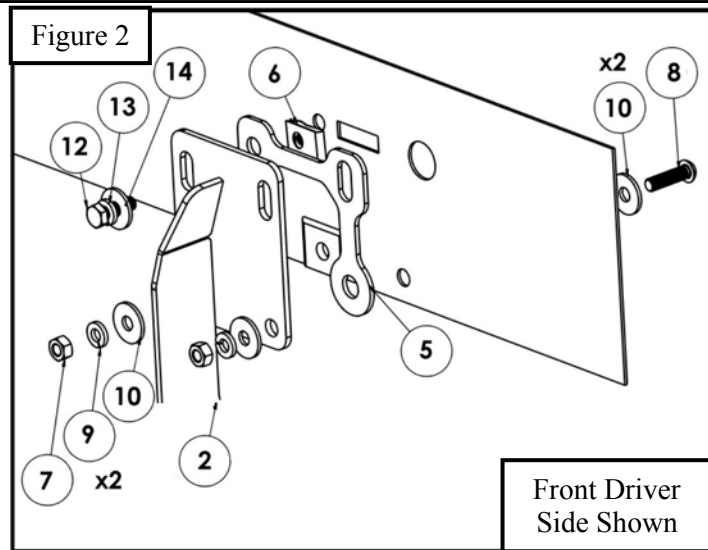
1. Remove contents from box, verify if all parts listed are present and free from damage. Carefully read and understand all instructions before attempting installation.

Failure to identify damage before installation could lead to a rejection of any claim.

2. Start installation on driver's side. On the rocker panel find locations with open holes and insert in the top open holes (2) M8 nut clips (Item 6). **NOTE: ON SOME VEHICLES THE MOUNTING HOLES DO NOT LINE UP FROM THE FACTORY IF THIS IS THE CASE DRILL OUT THE HOLES USING A 7/16" DRILL BIT**
3. Then loosely install M8 hardware to previously installed Nut Clip; (2) M8 hex head bolts, (2) M8 flat washers, (2) M8 split lock washers. For installing to bottom open holes of the rocker panel, loosely install, (2) M8 button head bolts, (4) M8 flat washers, (2) M8 split lock washers, (2) M8 hex nuts. Repeat the same procedure for all other mounting locations. **See Figure 1.**
4. Note: For 2010– up model years place (1) front mounting bracket spacer (Item 5) in between the rocker panel and the front mounting bracket before installing. **See Figure 2**



Rear Driver Side Shown



Front Driver Side Shown

5. Locate the supplied M12 bolt plate (item 22) and M12 fish wire (item 21), and guide the bolt plate through the specified holes on the bed rail located underneath the truck closest to the front of the bed. **See Figure 3**
6. Once bolt plates are through the specified holes locate the top isolator bracket (item 17). Loosely install the bracket with supplied M12 hardware. **See Figure 4**
7. Continue by locating the isolator kit (item 25) and the isolator bracket (item 15). Loosely install the brackets with the supplied M12 hardware. **See Figure 5**
8. Tilt Board at angle to insert brackets into first 3 front mounting locations. **See Figure 6**

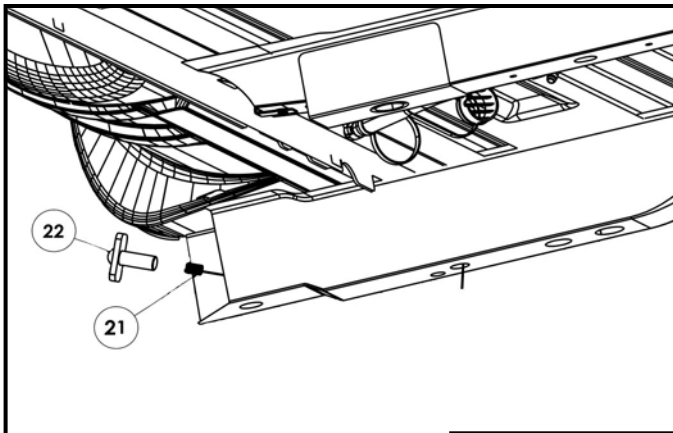


Figure 3

Front Bed Driver Side Shown

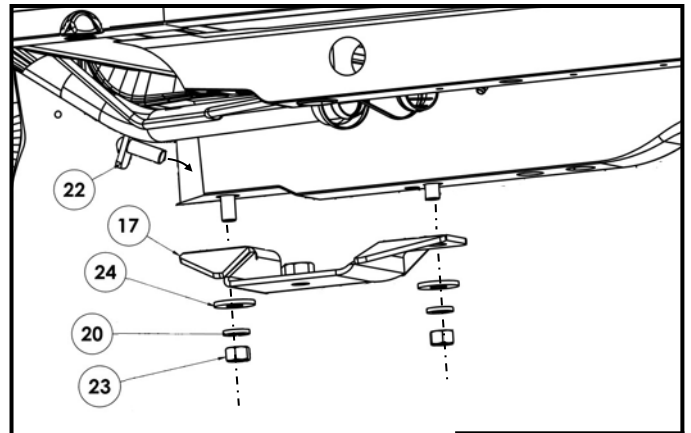


Figure 4

Front Bed Driver Side Shown

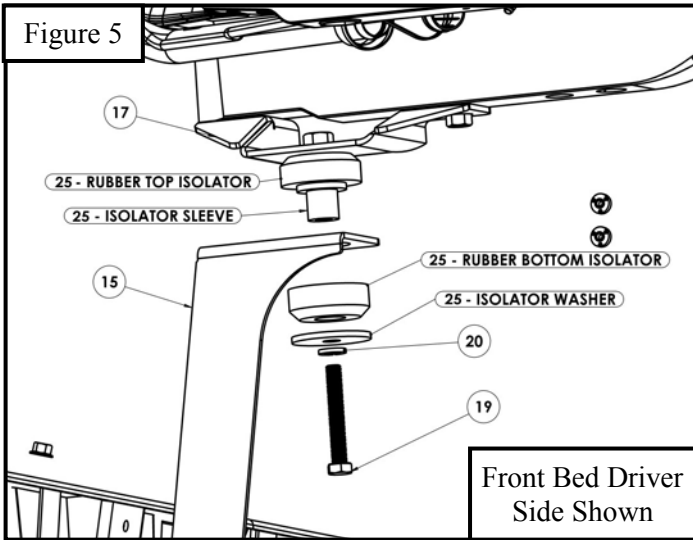


Figure 5

Front Bed Driver Side Shown

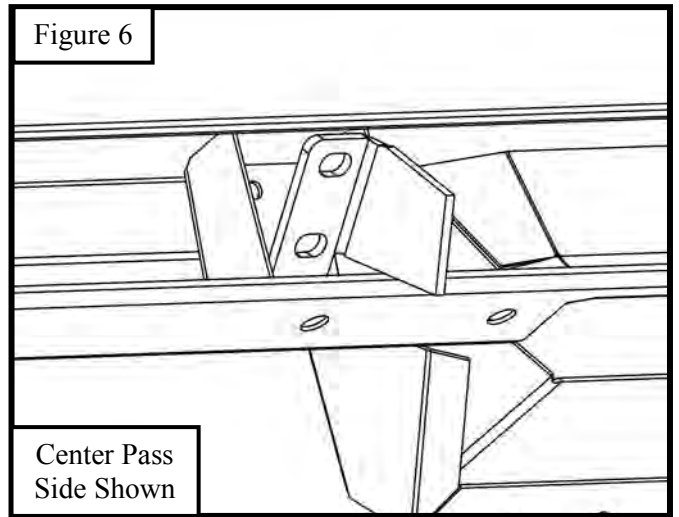


Figure 6

Center Pass Side Shown

9. For Step Board installation to the previously installed mounting brackets use the supplied M8 hardware with long bolts on the Isolator Bracket (Item 15) and use M8 hardware with short bolts for all other mounting location. See **Figure 7 and 8**.
10. Align step bar and brackets to desired positioning then torque and tighten all: M8 hardware to 15-18 ft-lbs, and M12 hardware to 52-60ft-lbs.

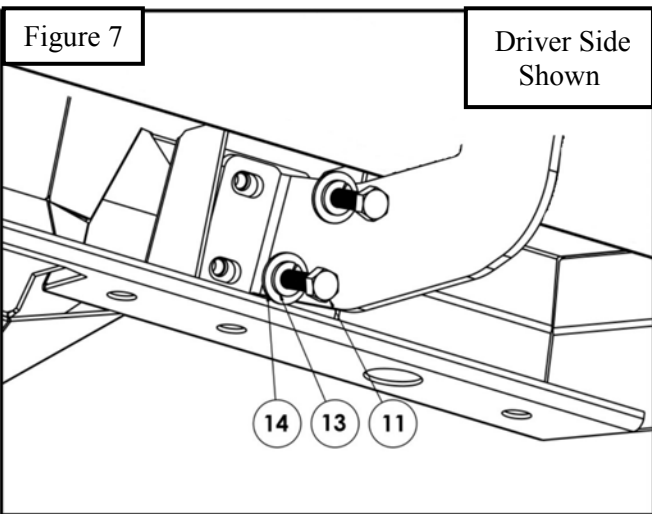


Figure 7

Driver Side Shown

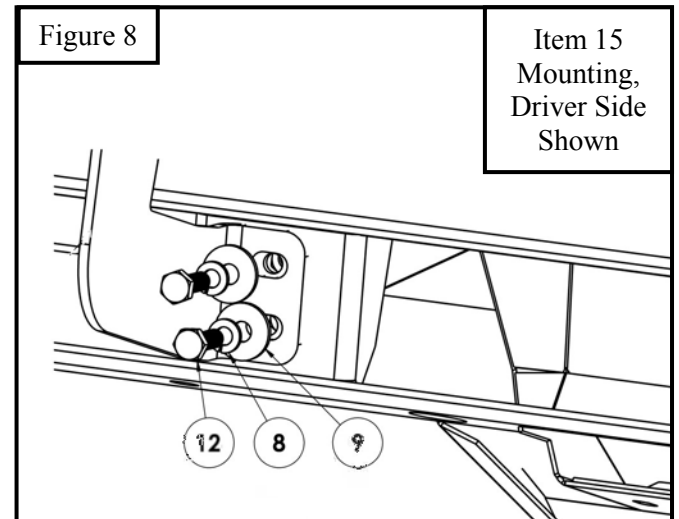


Figure 8

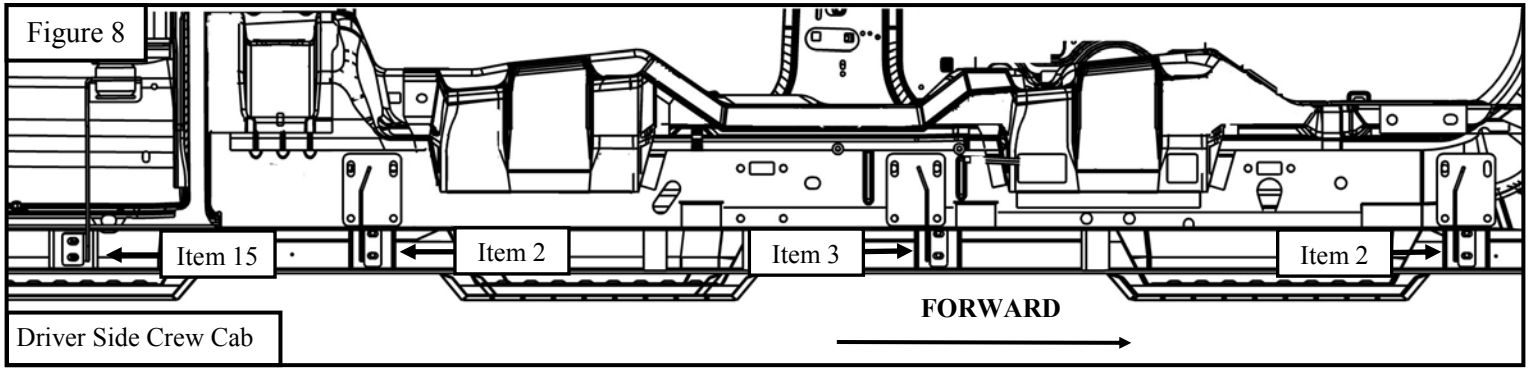
Item 15 Mounting, Driver Side Shown



Westin Automotive Products, Inc.
320 W. Covina Blvd
San Dimas, Ca. 91773

11. Below are Figures representing the orientation and positioning of the brackets.

See Figures below



INSTALLATION COMPLETED



Care Instructions

- REGULAR WAXING IS RECOMMENDED. DO NOT USE ANY TYPE OF POLISH OR WAX THAT MAY CONTAIN ABRASIVES.
- STAINLESS STEEL PRODUCTS CAN BE CLEANED WITH MILD SOAP AND WATER. STAINLESS STEEL POLISH SHOULD BE USED TO POLISH SMALL SCRATCHES.
- GLOSS BLACK FINISHES SHOULD BE CLEANED WITH MILD SOAP AND WATER.



Westin Automotive Products, Inc.
320 W. Covina Blvd
San Dimas, Ca. 91773

Thank you for choosing Westin products
for additional installation assistance please call
Customer Service (800) 793-7846
www.westinautomotive.com



SIGNATURE OF QUALITY

AUTOMOTIVE PRODUCTS, INC.



WARNING



Failure to follow these instructions could lead to death, personal injury, and / or property damage.

FASTENERS:

All Westin supplied fasteners must be utilized and installed in accordance with the installation instructions and apply torque to the specifications as defined. **DOUBLE CHECK ALL FASTENERS BEFORE INITIAL USE, AND PERIODICALLY IN THE FUTURE TO ENSURE PROPER FUNCTION AND SAFETY.**

DRILLING:

Most Westin products do not require drilling for installation. If drilling is defined as required, use caution when drilling a vehicle. **FAILURE TO REVIEW AN AREA TO BE DRILLED MAY RESULT IN PERSONAL INJURY AND/OR INJURY TO OTHERS AS WELL AS VEHICLE DAMAGE.**

EYE PROTECTION:

ALWAYS WEAR SAFETY GLASSES OR GOGGLES DURING THE INSTALLATION PROCESS TO AVOID PERSONAL INJURY.

MAXIMUM TOWING/CARRYING CAPACITY:

The Westin Receiver Hitches will have a visible tow rating label affixed directly on the product. User should never exceed the vehicle manufacturers maximum tow and weight rating regardless of the capacity of the hitch. **FAILURE TO FOLLOW THESE GUIDELINES WILL VOID THE WESTIN WARRANTY AND MAY RESULT IN PERSONAL INJURY AND/OR INJURY TO OTHERS AS WELL AS VEHICLE DAMAGE.**



Westin Automotive Products, Inc.
320 W. Covina Blvd
San Dimas, Ca. 91773