



INSTALLATION INSTRUCTIONS

HDX DROP STEP WTW

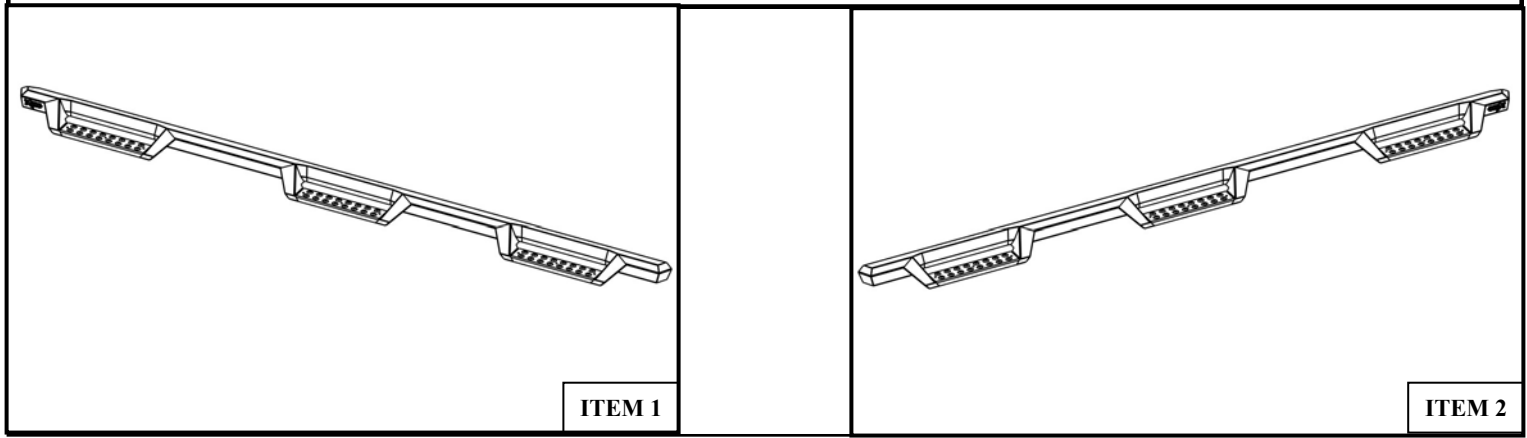
APPLICATION:

2010-2018 Dodge Ram 2500/3500 Crew Cab 8ft Bed (Excl. Dually)

PART NUMBER: 56-534335, 56-5343352

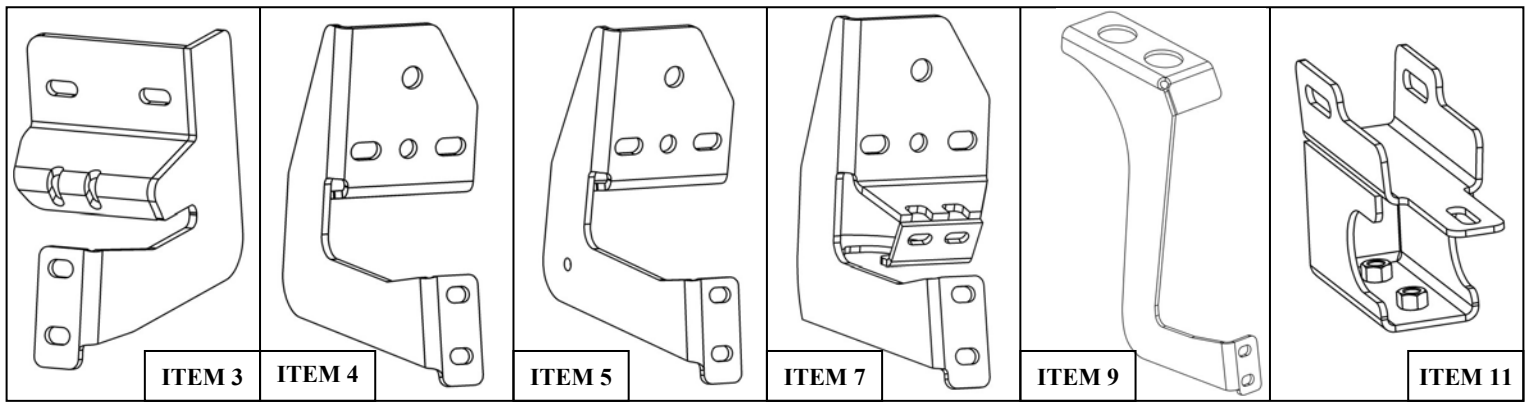
ITEM	QUANTITY	DESCRIPTION	TOOLS NEEDED
1,2	2	STEP BAR, DRIVER (1) AND PASSENGER (2)	10MM SOCKET
3,4	2	FRONT MOUNT BRACKET, DRIVER (3) AND PASSENGER (4)	13MM SOCKET
5,6	2	CENTER MOUNT BRACKET, DRIVER (5) AND PASSENGER (6)	13MM WRENCH
7,8	2	REAR MOUNT BRACKET, DRIVER (7) AND PASSENGER (8)	SOCKET EXT.
9,10	2	ISOLATOR BRACKET, DRIVER (9) AND PASSENGER (10)	ALLEN WRENCH
11	2	TOP ISOLATOR MOUNT BRACKET	RATCHET
12	4	ISOLATOR KIT	TORQUE WRENCH
13	8	M10 BOLT / M8 NUT PLATE	
14	6	M8 HEX RIV-CERT (YELLOW ZINC)	
15	8	M10 HEX NUT (YELLOW ZINC)	
16	8	M10 SPLIT LOCK WASHER (YELLOW ZINC)	
17	8	M10 FLAT WASHER (YELLOW ZINC)	
18	12	M8 LONG HEX HEAD CAP SCREW (YELLOW ZINC)	
19	16	M8 SHORT HEX HEAD CAP SCREW (YELLOW ZINC)	
20	28	M8 SPLIT LOCK WASHER (YELLOW ZINC)	
21	28	M8 FLAT WASHER (YELLOW ZINC)	
22	4	M12 HEX HEAD CAP SCREW (YELLOW ZINC)	
23	4	M12 SPLIT LOCK WASHER (YELLOW ZINC)	
24	6	M6 BUTTON HEAD CAP SCREW (BLACK ZINC)	
25	6	M6 SERRATED FLANGE NUT (BLACK ZINC)	
26	6	M6 FLAT WASHER (BLACK ZINC)	
27	6	PLASTIC RETAINER SQUARE	
28	2	M10 FISH WIRE	

ANTI-SEIZE LUBRICANT MUST BE USED ON ALL STAINLESS STEEL FASTENERS TO PREVENT THREAD DAMAGE AND GALLING



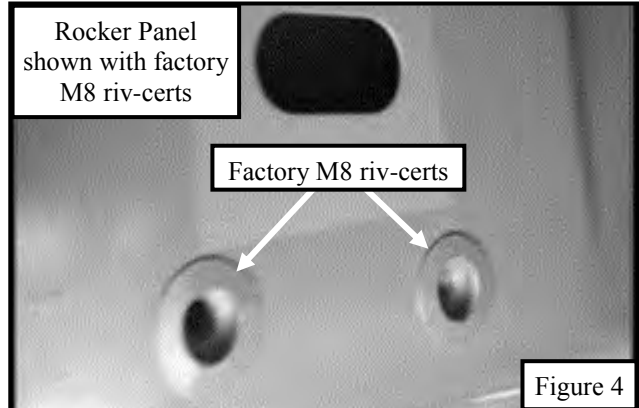
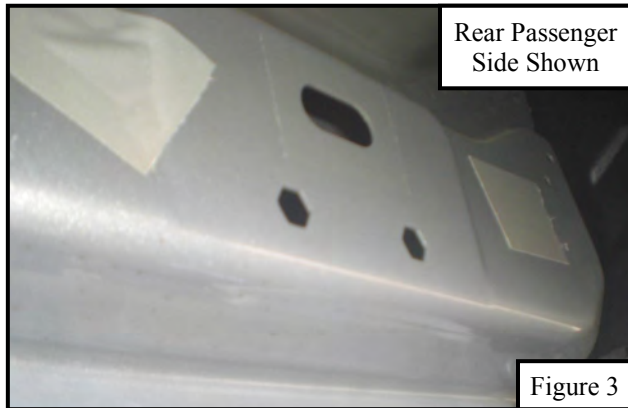
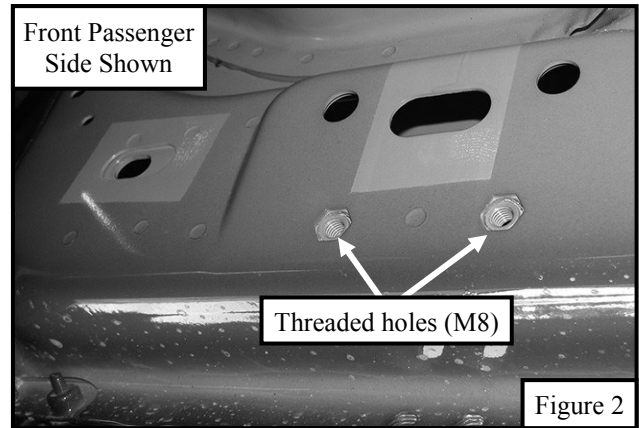
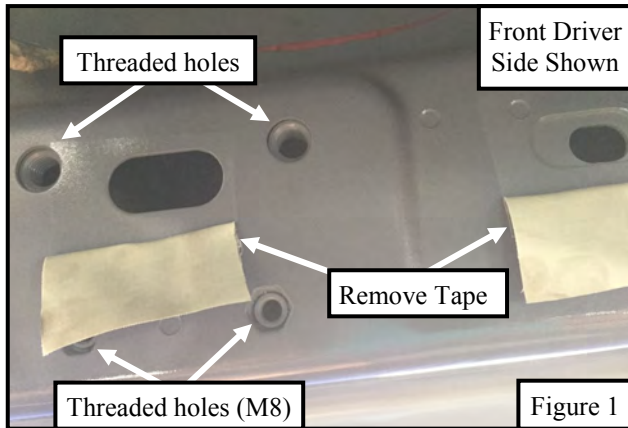
WESTIN Westin Automotive Products, Inc.
 320 W. Covina Blvd
 San Dimas, Ca. 91773

Thank you for choosing Westin products
 for additional installation assistance please call
 Customer Service (800) 793-7846
www.westinautomotive.com

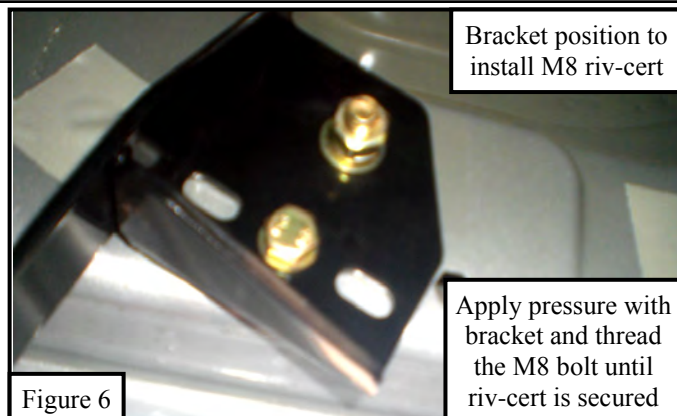
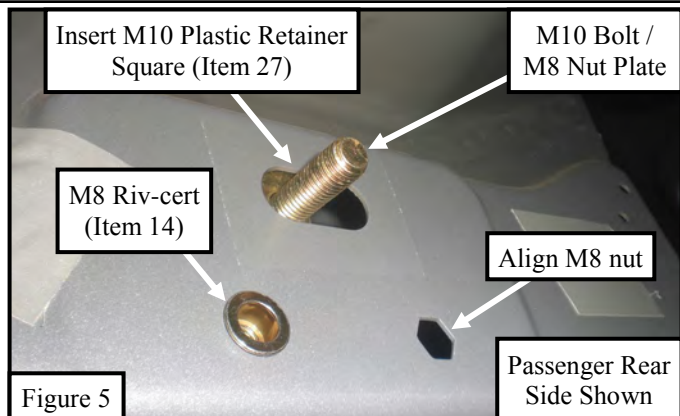


PROCEDURE

1. Remove contents from box, verify if all parts listed are present and free from damage. Carefully read and understand all instructions before attempting installation.
Failure to identify damage before installation could lead to a rejection of any claim.
2. Check either side of the vehicles rocker panel, locate the factory holes in the rocker panel by removing the tape. Check and verify what type of rocker panel you have. See **Figures 1, 2, 3, & 4.** **Note:** If any of the locations on the factory holes in the rocker panel have factory M8 riv-certs or threaded M8 holes, do not use provided M8 riv-certs (Item 14) at that location. Refer to **Figures 1, 2, & 4.**



3. **Starting from the driver side:** If the threaded holes or threaded holes are not present use (1) M8 riv-certs (Item 14) and insert one into the either hex hole. Insert (1) M10 bolt / M8 nut plate (Item 13) and secure using (1) plastic retainer square (Item 27). See **Figure 5**. **Note:** See **Figure 6** for example on how to tighten M8 riv-certs, it will require to use an M10 bolt with M8 nut plate (Item 13) along with a bracket to perform this task. This procedure will permanently install M8 riv-cert. Repeat **step 3** for every bracket, except for the isolator bracket.



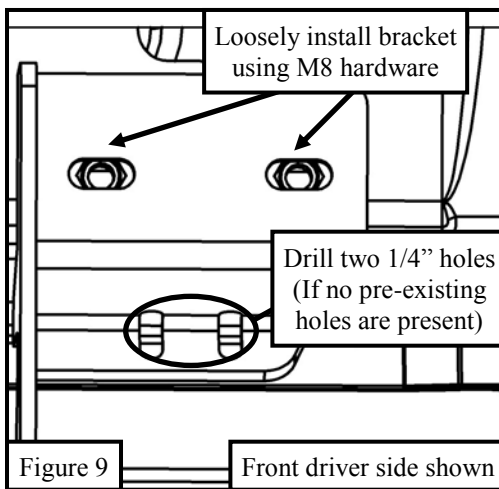
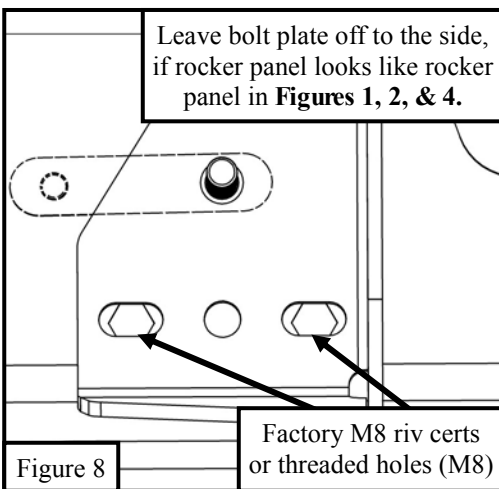
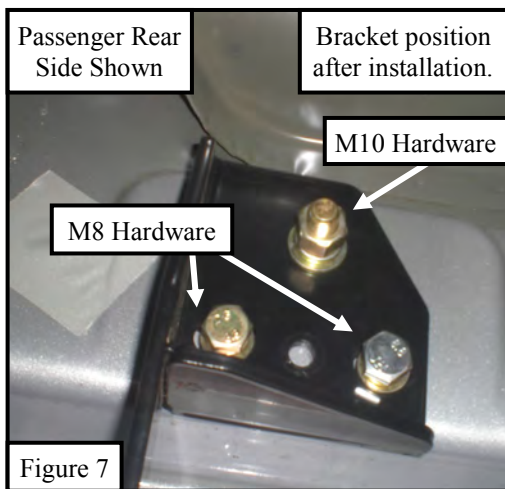
FOR NEWER MODELS: If the rocker panel has pre-installed M8 riv-certs or threaded holes, the M10 bolt / M8 nut plate will need to be positioned as shown in **Figure 8**.

FOR OLDER MODELS: If the rocker panel does not have pre-installed M8 riv-certs or threaded holes then will be used as shown on **Figures 5 & 11**.

4. Proceed to install the front driver mount bracket (Item 3) and the rear mount bracket (Item 7/8) onto the rocker panel by using (2) long M8 hex cap screws, (2) M8 lock washers, (2) M8 flat washers. For the pinch weld, attach bracket by using the provided black zinc M6 hardware. See **Figures 9, 10, and 12**.

Note: Drilling of two 1/4" holes might be necessary on pinch weld if factory holes are not present. Before drilling place masking tape on drill surface to prevent paint chipping.

5. Loosely secure the center bracket (Items 5/6) to the rocker panel in the center mounting locations using (2) long M8 hex bolts, (2) M8 lock washers, (2) M8 flat washers, (1) M10 flat washer, (1) M10 lock washer, and (1) M10 hex nut. Leave everything loose at this time. See **Figures 7 & 11**.
6. Repeat **Steps 3 - 5** for the passenger side. **Note:** Front passenger bracket installs same as center brackets (**Step 5**).
7. See **page 5** for view of bracket orientation.



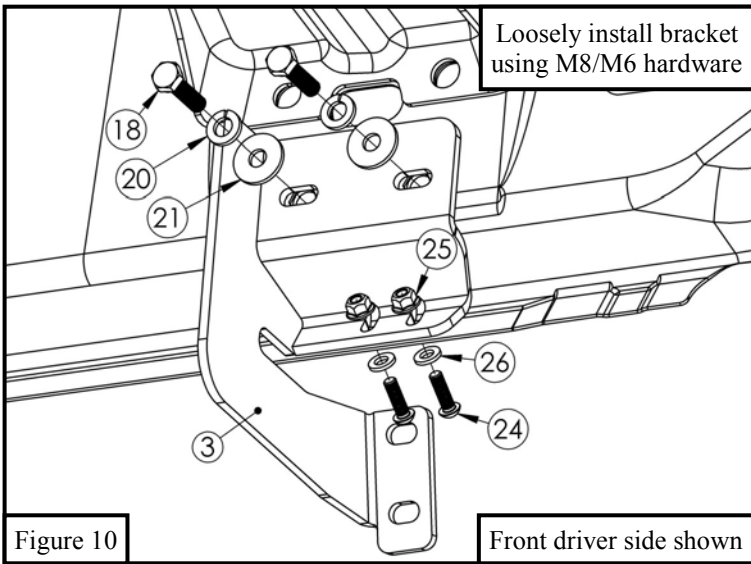
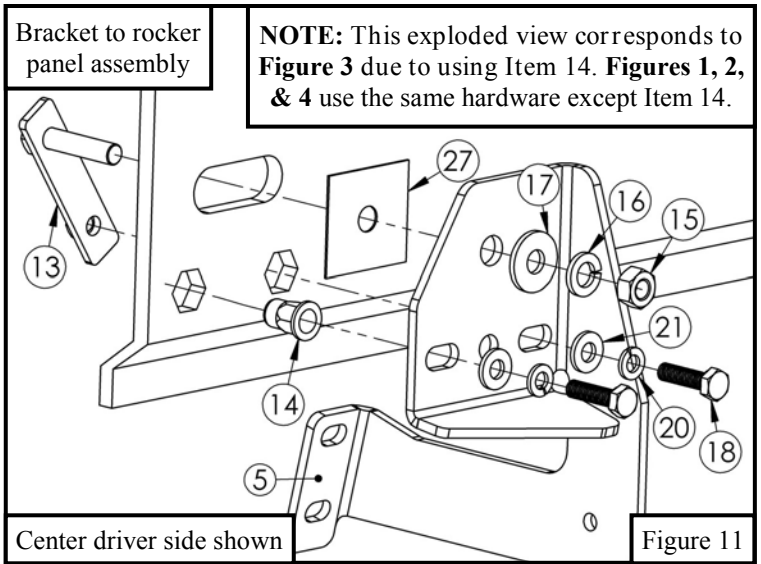


Figure 10

Front driver side shown



Center driver side shown

Figure 11

- On either side of the vehicle, directly behind the cab, underneath the bed locate the bed channel that mounts the bed to the frame. There will be 2 pre-existing bolts. Remove these two bolts. Locate (1) top isolator mount bracket (Item 11) and align it to the beam and mark location to drill. Drill location using 1/2" drill bit. See **Figure 13**.

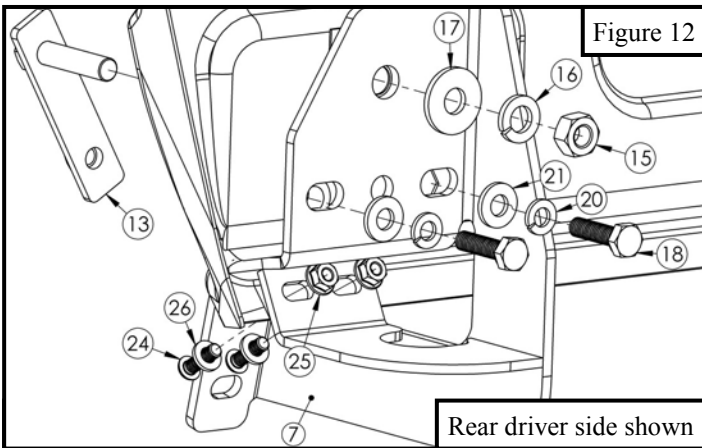


Figure 12

Rear driver side shown

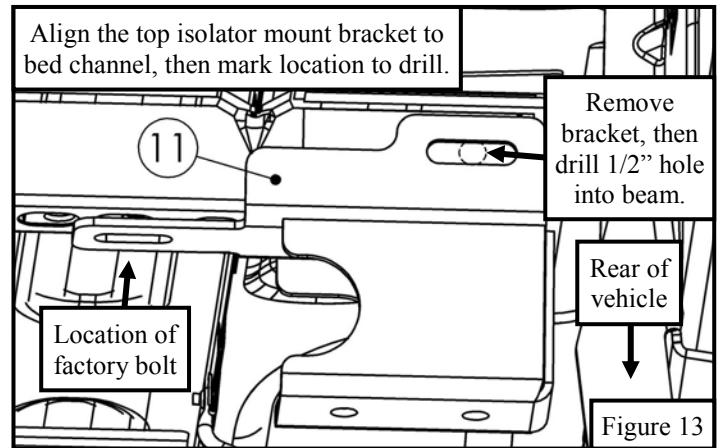


Figure 13

- Align the top isolator mount bracket (Item 11) with the 1/2" drilled hole. **Note:** It is necessary to keep the top isolator mount bracket aligned with the hole until the bolt of the M10 bolt / M8 nut plate is through. Locate (1) M10 fish wire (Item 28) and insert end with spiral through the recently drilled 1/2" hole and out of vehicle frame. Then locate (1) M10 bolt / M8 nut plate (Item 13) and screw onto the fish wire. Pull the bolt / nut plate through the hole. See **Figure 14**.
- Loosely secure bolt using (1) M10 hex nut, (1) M10 split lock washer, and (1) M10 flat washer (Items 15-17). Use factory bolt that was removed in **Step 8** to secure the top isolator mount bracket. See **Figure 15**.

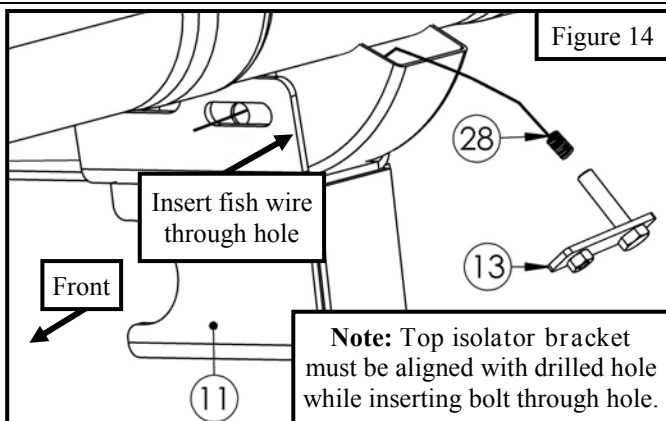


Figure 14

Insert fish wire through hole

Front

Note: Top isolator bracket must be aligned with drilled hole while inserting bolt through hole.

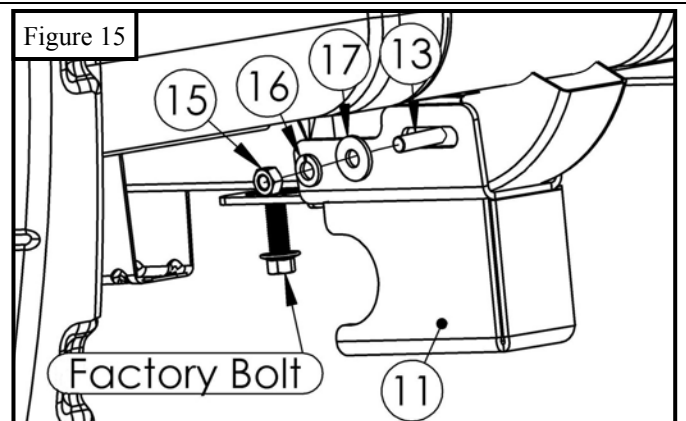
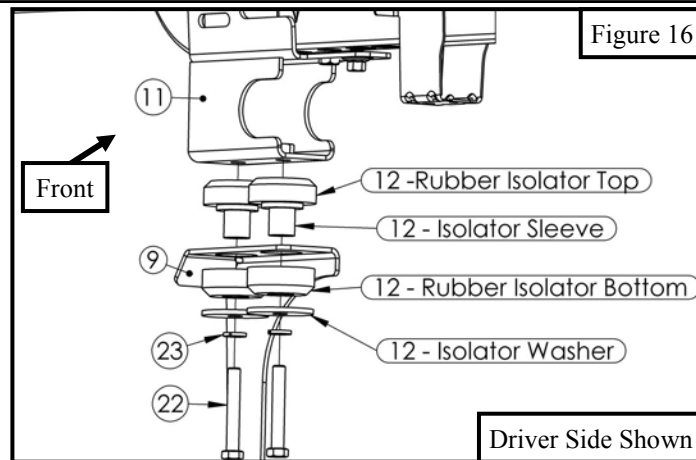


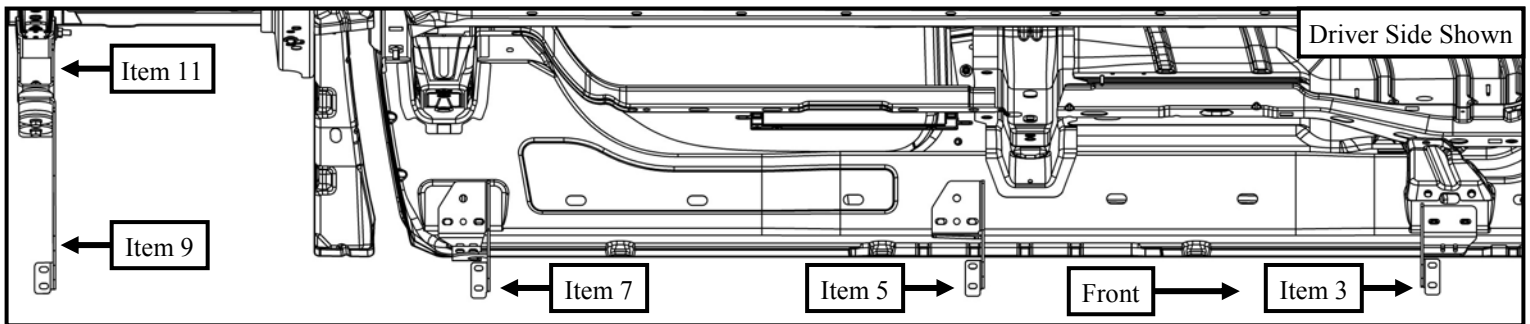
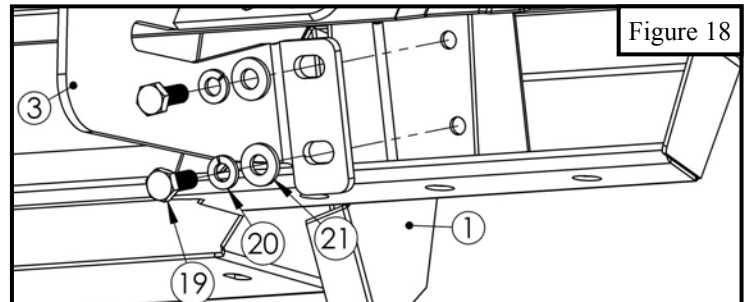
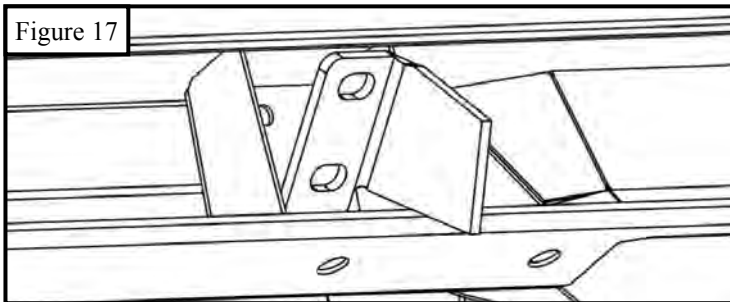
Figure 15

Factory Bolt

11. Locate (2) isolator kits (Item 12) and (1) isolator bracket (9/10) and loosely secure each other with the top isolator bracket. See **Figure 16**.



12. Repeat **Steps 8 - 11** for opposite side.
 13. When installing brackets to board, tilt at angle. See **Figure 17**.
 14. For Step Board installation to the previously installed mounting brackets use short M8 bolts and supplied M8 hardware (Items 19-21). See **Figure 18**.
 15. Align and adjust the step bars and brackets as needed, then tighten all hardware: M10 to 30-35 ft-lbs, M8 to 15-18 ft-lbs, and M12 to 50-55 ft-lbs.



INSTALLATION COMPLETE



CARE INSTRUCTIONS

- REGULAR WAXING IS RECOMMENDED. DO NOT USE ANY TYPE OF POLISH OR WAX THAT MAY CONTAIN ABRASIVES.
- STAINLESS STEEL PRODUCTS CAN BE CLEANED WITH MILD SOAP AND WATER. STAINLESS STEEL POLISH SHOULD BE USED TO POLISH SMALL SCRATCHES.
- GLOSS BLACK FINISHES SHOULD BE CLEANED WITH MILD SOAP AND WATER.

WESTIN Westin Automotive Products, Inc.
320 W. Covina Blvd
San Dimas, Ca. 91773

Thank you for choosing Westin products
for additional installation assistance please call
Customer Service (800) 793-7846
www.westinautomotive.com



WARNING



Failure to follow these instructions could lead to death, personal injury, and / or property damage.

FASTENERS:

All Westin supplied fasteners must be utilized and installed in accordance with the installation instructions and apply torque to the specifications as defined. **DOUBLE CHECK ALL FASTENERS BEFORE INITIAL USE, AND PERIODICALLY IN THE FUTURE TO ENSURE PROPER FUNCTION AND SAFETY.**

DRILLING:

Most Westin products do not require drilling for installation. If drilling is defined as required, use caution when drilling a vehicle. **FAILURE TO REVIEW AN AREA TO BE DRILLED MAY RESULT IN PERSONAL INJURY AND/OR INJURY TO OTHERS AS WELL AS VEHICLE DAMAGE.**

EYE PROTECTION:

ALWAYS WEAR SAFETY GLASSES OR GOGGLES DURING THE INSTALLATION PROCESS TO AVOID PERSONAL INJURY.

MAXIMUM TOWING/CARRYING CAPACITY:

The Westin Receiver Hitches will have a visible tow rating label affixed directly on the product. User should never exceed the vehicle manufacturers maximum tow and weight rating regardless of the capacity of the hitch. **FAILURE TO FOLLOW THESE GUIDELINES WILL VOID THE WESTIN WARRANTY AND MAY RESULT IN PERSONAL INJURY AND/OR INJURY TO OTHERS AS WELL AS VEHICLE DAMAGE.**