

FORD ESCAPE – FRONT MUD GUARD INSTALLATION INSTRUCTIONS

Please read instructions thoroughly before installation.

Tools Required

- Short Phillips screwdriver
- Center punch
- Drill / 1/8" drill bit

Package Contents

- Driver & passenger side rear mud guard
- #10 Screws (qty. 6)
- Fender Washers (qty. 6)
- Small U-Clips (qty. 2)
- Instruction sheet

MUD GUARD INSTALLATION

NOTE: It may be necessary to turn the wheels before mud guard installation.

1. Remove the existing fastener from location A (Figure 1).
2. Install Mud Guard with existing fastener at location A, check the Mud Guard fit and appearance before tightening.
3. Using the mud guard as a template, mark and drill 1/8" holes at locations B, C, and D.
4. Install #10 Screws and Washers at locations B and C.
5. Install a Large U-clip over the fender liner and align with drilled hole at location D (Figures 1 and 2).
6. Install a #10 Screw and Washer at location D.

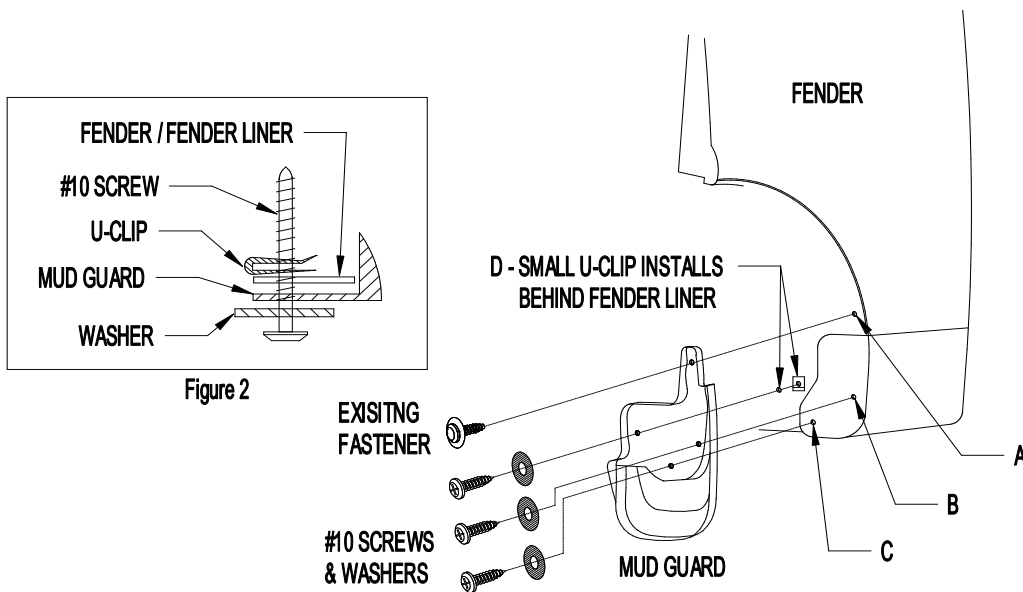


Figure 1

PAINTING INSTRUCTIONS

1. Clean mud guard with soap and water to remove dirt and other contaminants.
2. Sand painting surface with 320 grit sand paper.
3. Apply a coating of flexible primer-adhesion promoter.
4. Apply a flexible paint as directed by the paint manufacturer.