



SIGNATURE OF QUALITY

AUTOMOTIVE PRODUCTS, INC.

INSTALLATION INSTRUCTIONS

APPLICATION: 2015 CHEVROLET SUBURBAN/TAHOE
SPORTSMAN GRILLE GUARD: 45-3800, 40-3805
HDX GRILLE GUARD: 57-3805

ITEM	QUANTITY	DESCRIPTION	TOOLS NEEDED
1	1	SPORTSMAN GRILLE GUARD (45-3800, 40-3805)	RATCHET
2	1	HDX GRILLE GUARD (57-3805)	TORQUE WRENCH
3,4	2	UPPER MOUNTING BRACKET DRIVER/PASSENGER	ALLEN KEY
5,6	2	BOTTOM MOUNTING BRACKET DRIVER/PASSENGER	2" HOLE SAW
7	6	M12 x 30mm HEX HEAD FLANGE BOLT (Yellow Zinc)	15MM SOCKET
8	6	M12 SERRATED FLANGE NUT (Yellow Zinc)	16MM SOCKET
9	2	M10 X 35mm SOCKET HEAD CAP SCREW (Yellow Zinc)	18MM SOCKET
10	2	M10 CUPPED WASHER (Yellow Zinc)	SOCKET EXTENSION
11	2	M12 x 35 HEX SOCKET BUTTON HEAD SCREW (Stainless)	18MM WRENCH
12	6	M12 CUPPED WASHER (Stainless)	PUNCH
13	6	M12 SERRATED FLANGE NUT (Stainless)	DRILL MOTOR
14	4	M12 x 40mm HEX SOCKET BUTTON HEAD SCREW (Stainless)	8MM ALLEN SOCKET

ANTI-SEIZE LUBRICANT MUST BE USED ON ALL STAINLESS STEEL FASTENERS TO PREVENT THREAD DAMAGE AND GALLING

1. Remove contents from box, verify if all parts listed are present and free from damage. Carefully read and understand all instructions before attempting installation.

STEP 1: Removal and Trimming

- Locate the two rectangular covers on the bumper insert. These rectangular covers will need to be removed. Trimming may be required (Figure 1). Note: Some models may have factory tow hooks installed, if so, the tow hooks will have to be removed and trimming is required.
- Locate the Template (Figure 2) and place it on the bumper between the bumper insert and below the grille (Figure 3). Trim the circle on the template by using a drill motor and the 2" hole saw.

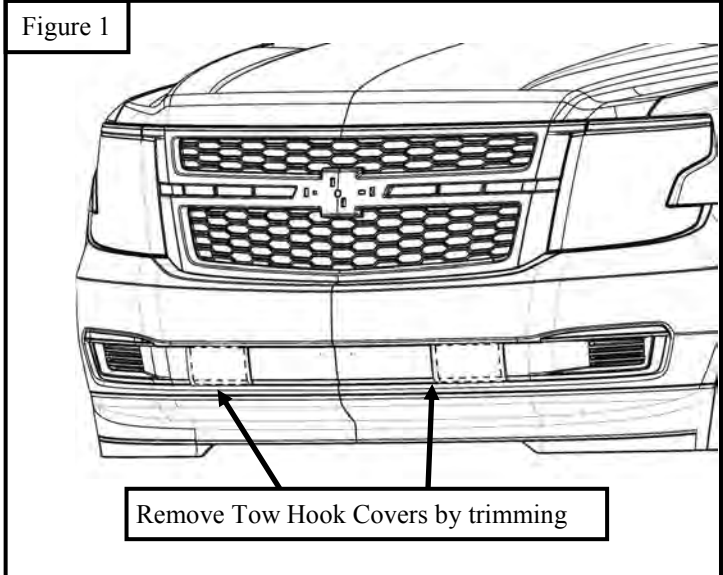


Figure 1

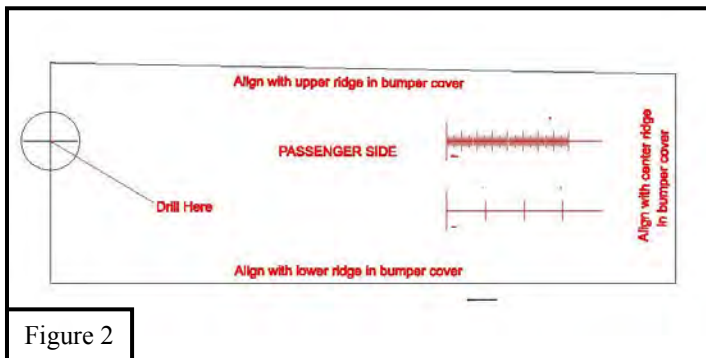
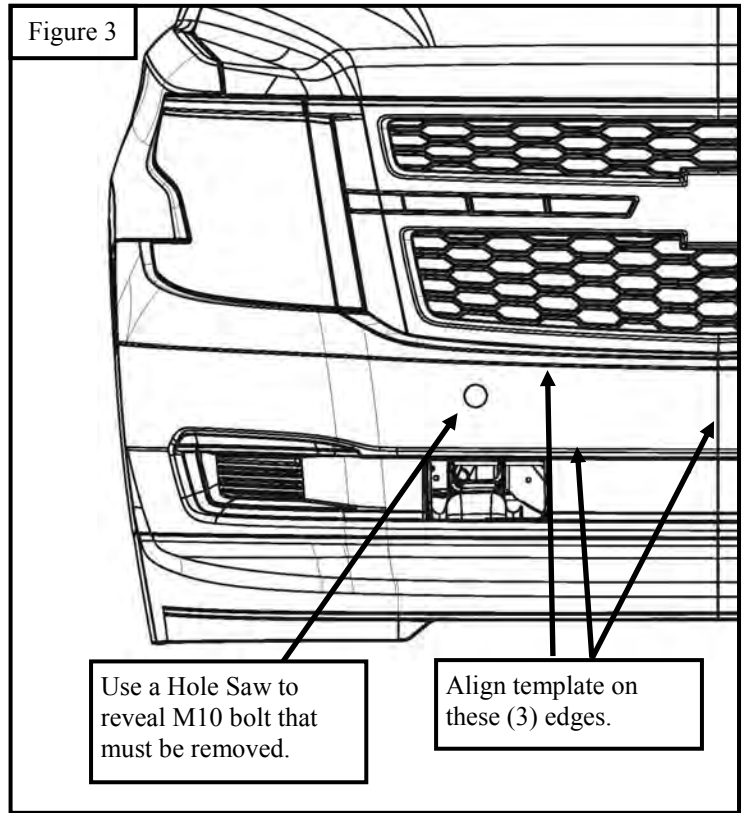
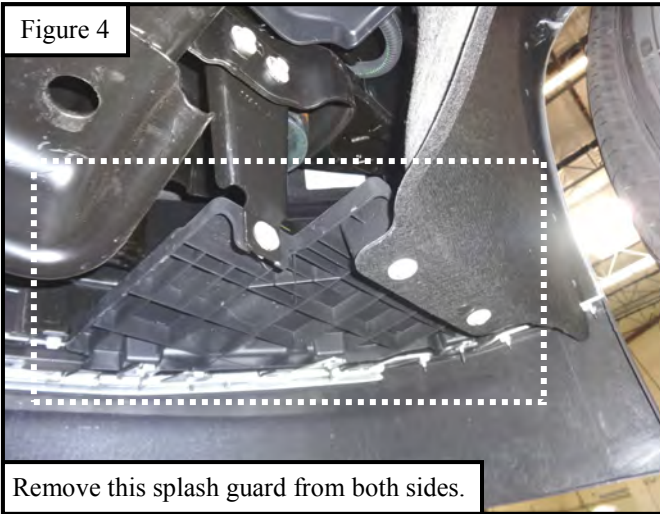


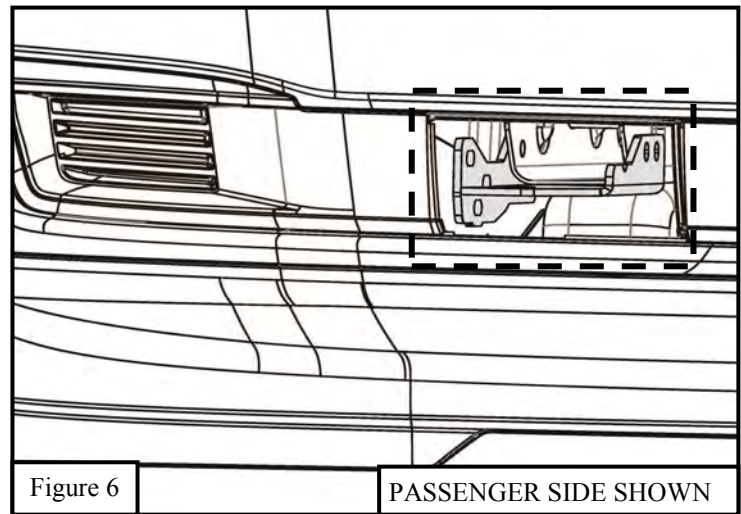
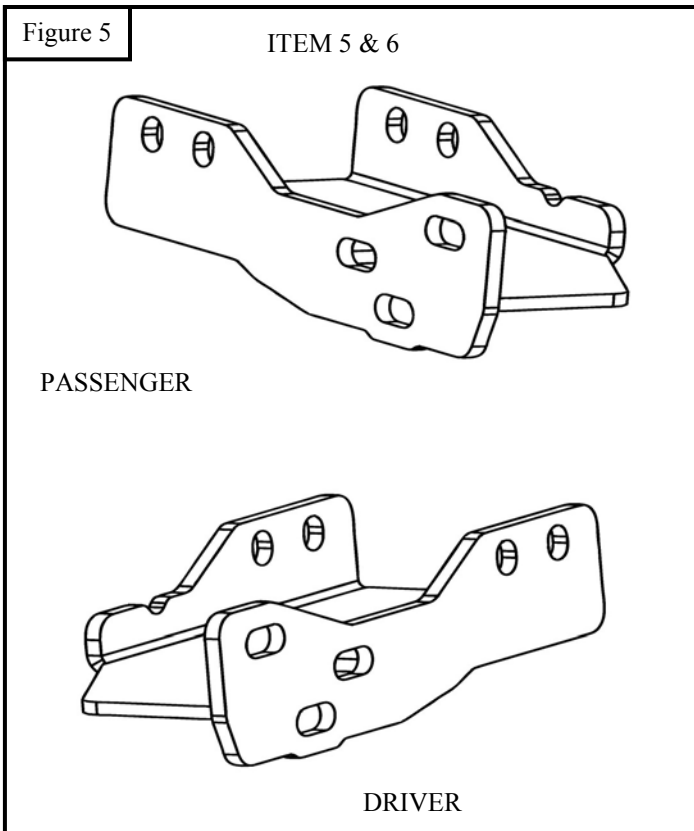
Figure 2

- After drilling, locate through the hole an M10 bolt that must be removed (Figure 3).
- Locate on the underside of the front bumper, on both the passenger and the driver sides splash shields that will need to be removed. Note: Some models may have an underbody shield that covers the engine that will have to be removed (Figure 4).



Step 2: Installing Bottom Brackets

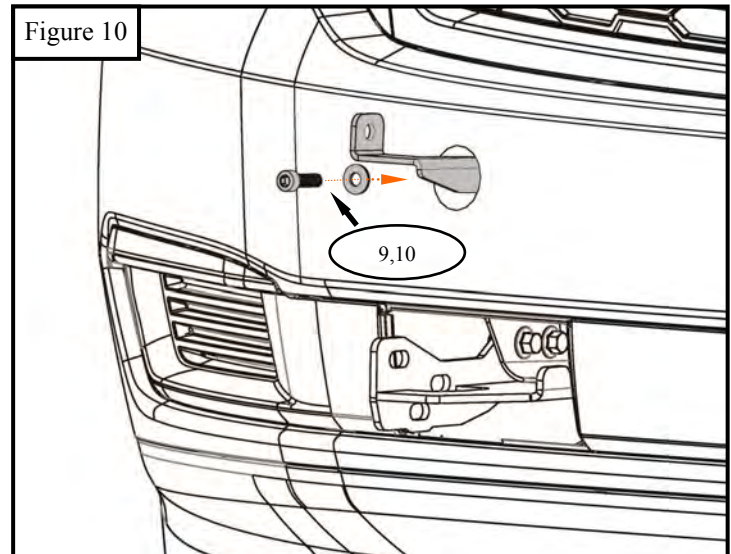
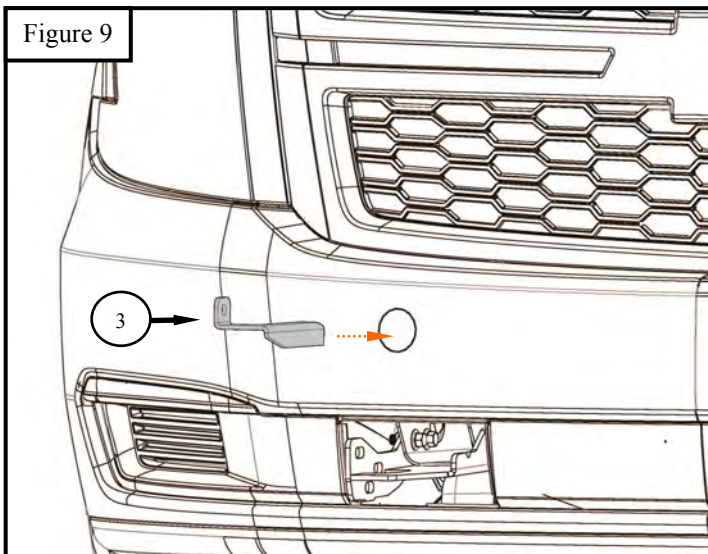
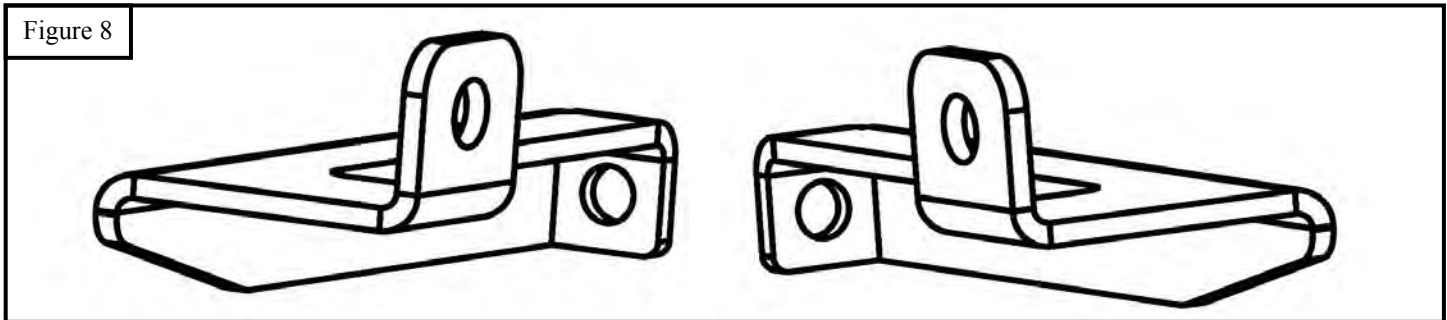
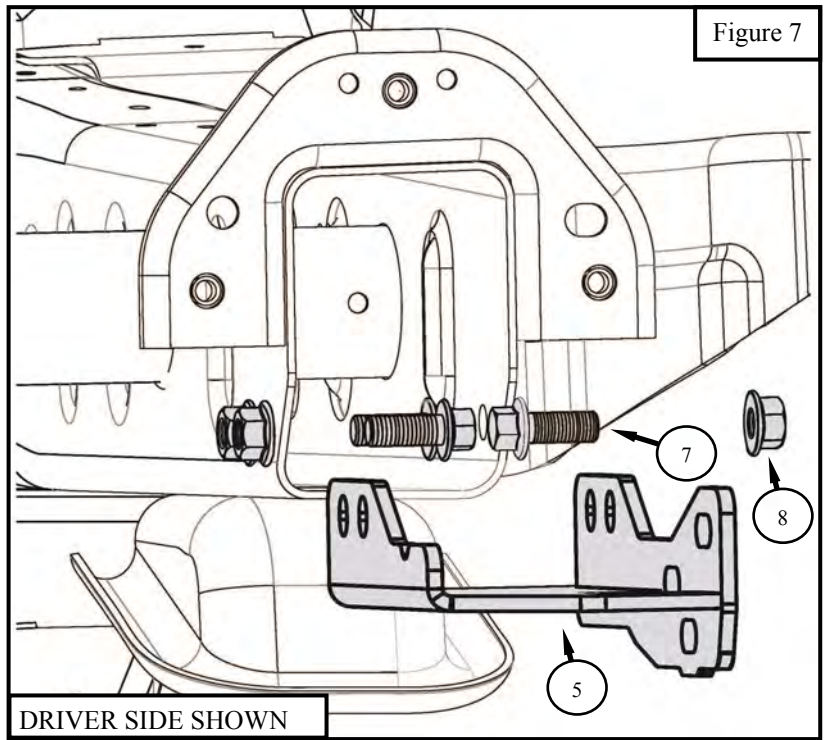
- Locate the Passenger and Driver side Bottom Brackets (items 5&6 on Figure 5), and position each one where the rectangular piece is trimmed (Figure 5). Refer to (Figure 1) on the previous step.



- Loosely attach the Bottom Bracket by using (3) M12 Hex Head Flange Bolts (item 7) and (3) M12 Serrated Flange Nuts (item 8). (Figure 7)

Step 3: Installing Upper Brackets

- Locate the Upper Mounting Brackets (items 3&4 on Figure 8) and attach them to the frame where the circular 2" hole was made using the template (Figure 9).
- Loosely attach the Upper Mounting Brackets by using (2) M10 Socket Head Cap Screws (item 9) and (2) M10 Cupped Washers (item 10). (Figure 10)



STEP 4: Installing the Grille Guard

- Locate the Grille Guard (item 1 for Sportsman) or (item 2 for HDX) and align the Grille Guard with both the Bottom and Upper Mounting Brackets that were previously installed.
- Attach the Grille Guard to the Bottom Brackets using (4) M12 Hex Socket Button Head Screws (item 14), (4) M12 Cupped Washers (item 12) and (4) M12 Serrated Flange Nuts (item 13). (Figure13)
- Attach the Grille Guard to Upper Brackets using (2) M12 Hex Socket Button Head Screws (item 11), (2) M12 Cupped Washers (item 12) and (2) M12 Serrated Flange Nuts (item 13). (Figure 13)
- Align and adjust the Grille Guard then tighten and torque all M10 hardware to 30-35 ft-lbs./all M12 to 50-55 ft-lbs.

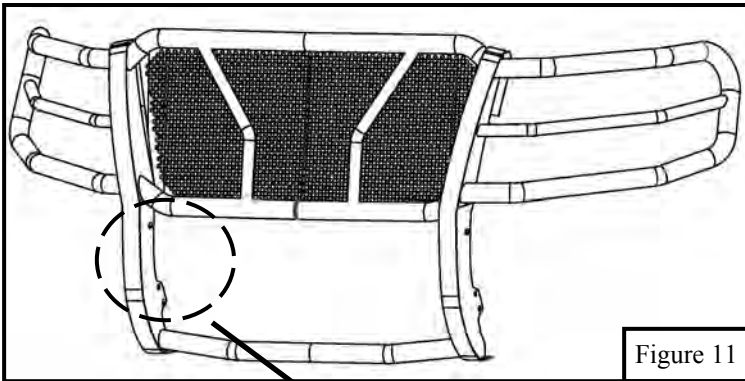


Figure 11

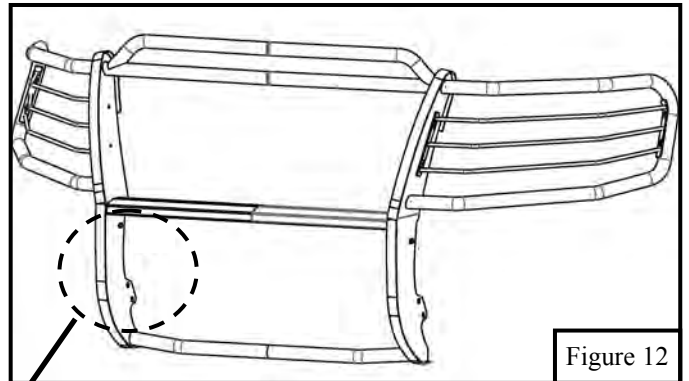


Figure 12

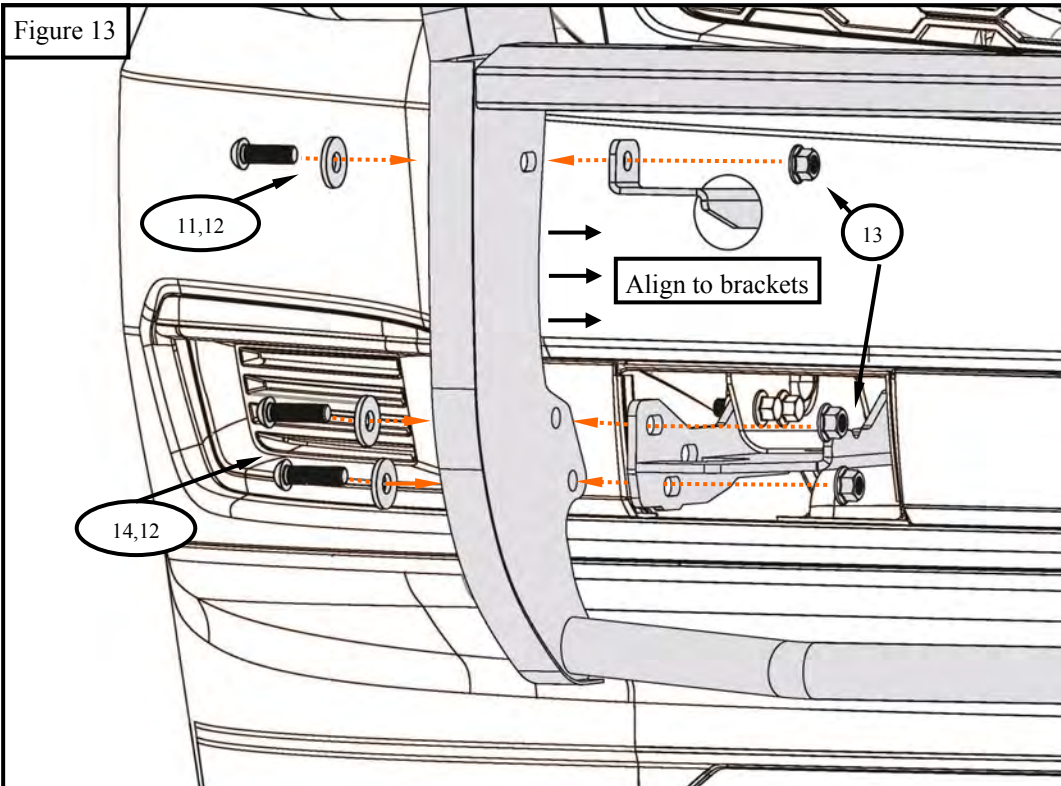


Figure 13



Westin Automotive Products, Inc.
320 Covina Blvd
San Dimas, Ca. 91773

Thank You for choosing Westin products
For Additional installation assistance please call
Customer service (800) 793-7846
www.westinautomotive.com



HDX INSTALLATION COMPLETE



SPORTSMAN INSTALLATION COMPLETE

CARE INSTRUCTIONS

- REGULAR WAXING IS RECOMMENDED. DO NOT USE ANY TYPE OF POLISH OR WAX THAT MAY CONTAIN ABRASIVES.
- STAINLESS STEEL PRODUCTS CAN BE CLEANED WITH MILD SOAP AND WATER. STAINLESS STEEL POLISH SHOULD BE USED TO POLISH SMALL SCRATCHES.
- GLOSS BLACK FINISHES SHOULD BE CLEANED WITH MILD SOAP AND WATER.



Westin Automotive Products, Inc.
320 Covina Blvd
San Dimas, Ca. 91773

Thank You for choosing Westin products
For Additional installation assistance please call
Customer service (800) 793-7846
www.westinautomotive.com