

# FRONT DOOR INSTALLATION



## INSTALLATION INSTRUCTIONS

### IN-CHANNEL SLIMLINE WINDOW VISOR



MADE IN USA

- INSTALLATION INSTRUCTIONS**
1. Clean and dry the vehicle. Lower the front windows completely.

2. Fit the front section of the **WINDOW VISOR** behind the mirror base. Ensure the bottom edge of the **WINDOW VISOR** locates on top of or over the lower window molding, as shown.

3. Fit rear section of **WINDOW VISOR** into channel about 1/2 inch away from the top of door frame, as shown.

- IMPORTANT**
- When fitting the **WINDOW VISOR** it will be necessary to bend the center of the **WINDOW VISOR** away from the vehicle to enable fitment into the rear section of the door channel. **CARE MUST BE TAKEN AS THE PRODUCT COULD BREAK.**

4. Start inserting the **WINDOW VISOR** by carefully rotating the **WINDOW VISOR** into the window channel.

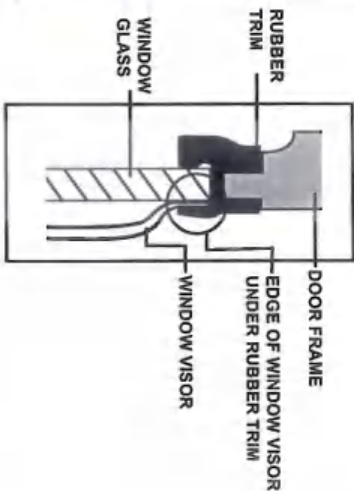
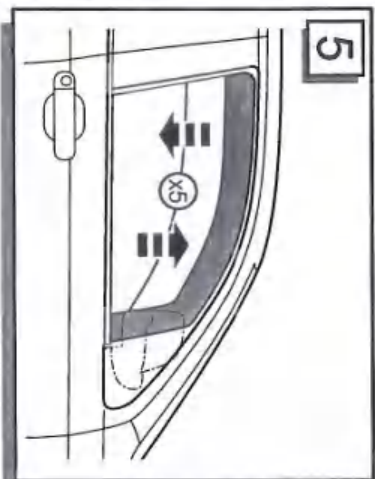
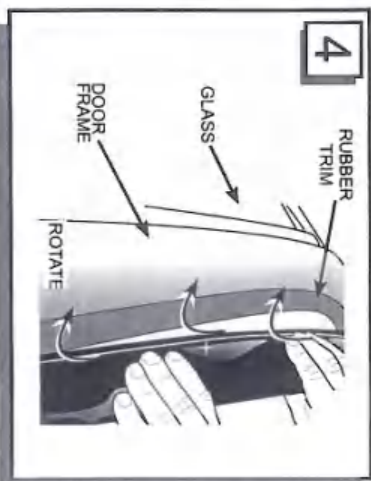
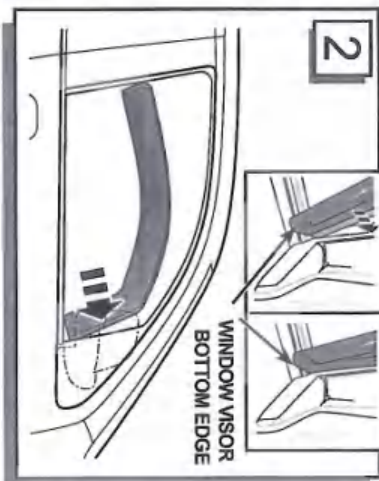
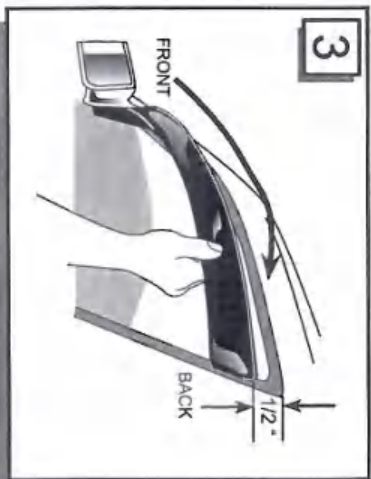
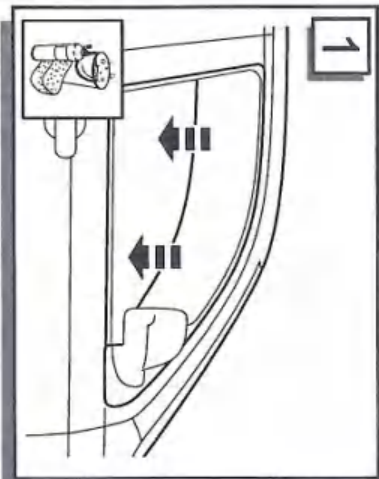
**IMPORTANT**

Working from the front of the **WINDOW VISOR** to the back as shown. Once installed gently push the **WINDOW VISOR** upwards into the window channel.

5. Ensure the **WINDOW VISOR** is located in the outermost section of the rubber window channel and finally, raise and lower the window approx. 5 times to help seat the **WINDOW VISOR** into the rubber window channel.

**IMPORTANT:** Before fitting product, read instruction fully. Reverse the above procedure to remove this product.

**TO CLEAN:** Use mild detergent and water solution. (Do NOT use solvents). Avoid the use of automatic "Brush Style" car washes.



**IMPORTANT**

The rubber window trim may need to be massaged to allow the window and **WINDOW VISOR** to seat correctly in the window channel.



# INSTALLATION INSTRUCTIONS

## IN-CHANNEL SLIMLINE WINDOW VISOR™



MADE IN USA

### INSTALLATION INSTRUCTIONS

- 1 • Clean and dry the vehicle. Lower the rear windows completely. Remove tape liner from the double-sided tape mounted on the Window Visor.
- 2 • Fit the front section of the Window Visor into the rubber window channel, as shown.
- 3 • Position the rear section of the Window Visor into the rubber window channel.
- 4 • Work the Window Visor into the rubber window channel by hand, ensuring it locates securely.
- 5 • Finally, raise and lower the window at least 5 times to help seat the Window visor into the rubber window channel.

**IMPORTANT:** Before fitting product, read instruction fully. Full tape strength is achieved after 72hrs. Allow tape to cure for 4hrs before driving vehicle. Reverse the above procedure to remove this product.

**TO CLEAN:** Use mild detergent and water solution. (Do NOT use solvents). Avoid the use of automatic "Brush Style" car washes.

