

**JEEP CHEROKEE FRONT MUD GUARD INSTALLATION INSTRUCTIONS**

*Please read instructions thoroughly before installation.*

**Tools Required:**

- Flat blade screwdriver
- Short Phillips screwdriver or drill attachment
- 8mm wrench or socket

**Package Contents**

- Driver & passenger side mud guard
- #10 SEM screws (qty. 4)
- U-clip (qty. 4)
- Instruction sheet

**NOTE:** Turn the front wheels all the way to the left or right for mud guard installation. However, it may be necessary to remove the wheels depending on the tools being used for installation.

1. Clean and degrease the mud guard location area on the fender before installation.
2. Remove existing fasteners at location C and D to remove the small factory rock guard. See Figure 1.
3. Remove both pieces of the fastener at locations A and B and discard. See Figure 1.
4. Remove only the inside pin from fastener at location D. **DO NOT DISCARD.** See Figure 1.
5. Pull the plastic fender liner from behind the fender lid and slip a U-clip over the hole in locations A and B. Replace liner to original location and reinstall the fastener at location D. See Figure 2
6. Align mudguard and Install a #10 SEM screw at locations A and B and existing fasteners in locations C and D. Check for parallel to ground before tightening

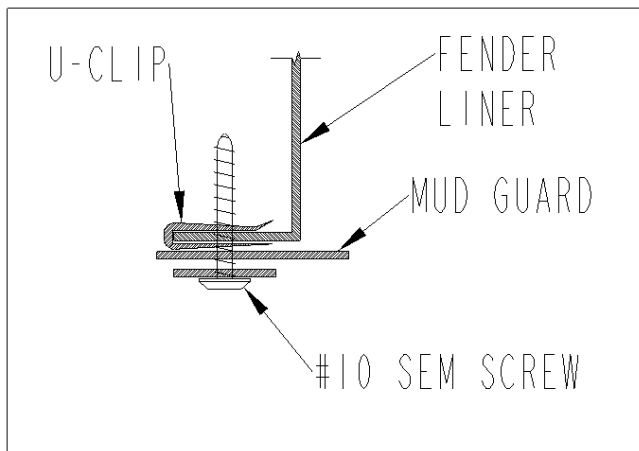


Figure 2

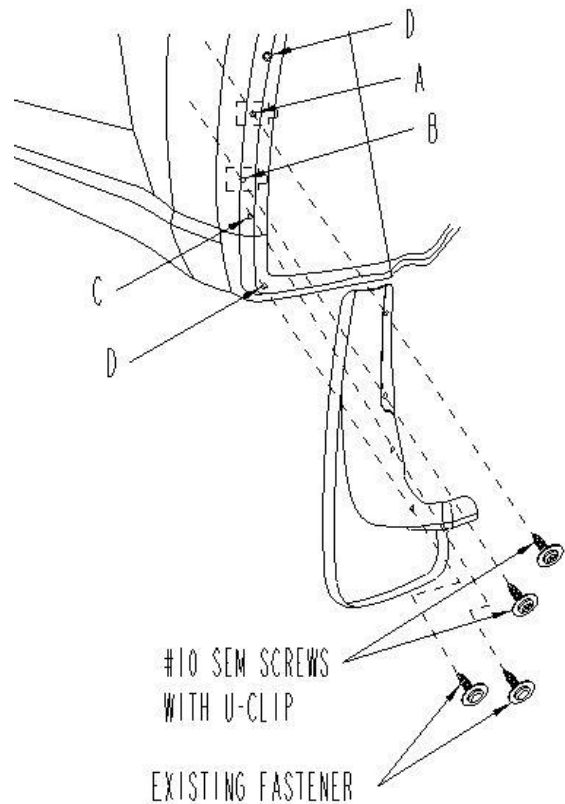


Figure 1