

INSTALLATION INSTRUCTIONS AND PARTS LIST
MODEL 583072, 583078, 583088, 584072, 584078, 584088 O-MEGA II 6" OVAL STEPS
 UNIVERSAL APPLICATION

1. READ INSTRUCTIONS COMPLETELY AND CHECK TO MAKE SURE THAT ALL REQUIRED PARTS (LISTED ON THE SERVICE PARTS LIST) ARE ON HAND BEFORE STARTING THE INSTALLATION.
2. FOLLOW THE INSTRUCTIONS INCLUDED WITH THE SPECIFIC BRACKET PACKAGE THAT YOU ARE USING, TO MOUNT THE BRACKETS TO YOUR VEHICLE.
3. BEFORE ATTACHING THE O-MEGA STEPS TO THE BRACKETS, PLACE THE STEP PADS (ITEM #2) ON TOP OF THE STEP PLATES. USE THE TABLE ON SHEET #2, AS A GUIDE TO POSITION THE STEP PAD FOR YOUR PARTICULAR VEHICLE. WHEN INSTALLING THE PADS ON THE STEPS, DRILL (5) 1/8" HOLE USING THE STEP PAD AS A GUIDE. ATTACH WITH (5) 8-18X1/2" TEK SCREWS (ITEM #6) PROVIDED. REPEAT FOR ALL STEP PADS.
4. INSTALL THE REQUIRED NUMBER OF SQUARE HEAD BOLTS INTO THE DESIGNATED SLOTS IN THE BOTTOM OF THE STEP PLATES.
5. INSTALL THE END CAPS (ITEM #3) AS SHOWN IN *fig. 1*, TIGHTENING THE NUTS TO 5 LB FT.
6. POSITION THE O-MEGA STEP ON THE MOUNTING BRACKETS SO THAT THE SQUARE HEAD SCREWS (ITEM #4) ARE LOCATED IN THE SLOTS OF THE MOUNTING BRACKETS AND THE STEP IS CENTERED, FRONT TO REAR, ON THE VEHICLE. INSTALL 5/16" SERRATED FLANGE NUTS (ITEM #5) ON THE SQUARE HEAD SCREWS (ITEM #4) AND TIGHTEN TO 19 LB FT.

SERVICE PARTS LIST

ITEM	PART NO.	QTY	DESCRIPTION
1	553071	2	EXTRUSION-AL,69.0,OMEGA STP,SILVER
1	553072	2	EXTRUSION-AL,75.0,OMEGA STP,SILVER
1	553073	2	EXTRUSION-AL,85.0,OMEGA STP,SILVER
1	553059	2	EXTRUSION-AL,69.0,OMEGA STP,BLACK
1	553060	2	EXTRUSION-AL,75.0,OMEGA STP,BLACK
1	553061	2	EXTRUSION-AL,85.0,OMEGA STP,BLACK
2	552970	4	ALUM,STP-PAD,BLK,OMEGA-STEP
3	107956	4	CAP-END,PLSTC,2.95 X 6.70
4	106880	24	SCREW-SQ HD,5/16-18 X 1,MAGNIGUARD
5	102680	24	NUT-SERR FLG,HX,SST,WX,5/16-18
6	107958	20	SCREW-PPH,TEK,#8-18 X 1/2",SST,BZP



STEP PAD LOCATION GUIDE



fig.1

VEHICLE MODEL	PAD A	PAD B
SILVERADO/SIERRA DOUBLE CAB	14-3/4	46-3/4
SILVERADO/SIERRA EXTENDED CAB	14-3/4	41-3/4
SILVERADO/SIERRA CREW CAB	14-3/4	54-1/4
COLORADO/CANYON EXTENDED CAB	10-1/2	43
COLORADO/CANYON CREW CAB	10-1/2	51
AVALANCHE/SUBURBAN/YUKON XL	15-1/4	55-1/4
TAHOE/YUKON	15-1/4	48-1/4
RAM QUAD CAB	10-1/2	46
RAM CREW CAB	10-1/2	48
RAM MEGA CAB	10-1/2	52-1/16
DODGE DAKOTA QUAD CAB	10-1/2	39
DODGE DURANGO	15-1/4	50-1/4
FORD F150 SUPER CAB	18-1/4	46-1/4
FORD F150 SUPER CREW CAB	18-1/4	56-1/2
FORD SUPER DUTY SUPER CAB	14-1/4	42
FORD SUPER DUTY CREW CAB	12	58-1/4
TOYOTA TUNDRA DOUBLE CAB 07+	8-1/4	49-1/4
TOYOTA TUNDRA CREWMAX07+	8-1/4	54-1/4
TOYOTA TACOMA ACCESS CAB	8-1/4	30-1/5
TOYOTA TACOMA DOUBLE CAB	18-3/4	55-1/4

NOTE: THE ABOVE PAD LOCATIONS ARE ONLY SUGGESTIONS AND MAY BE PLACED AT THE PURCHASERS DISCRETION.



INSTALLATION INSTRUCTIONS AND PARTS LIST

MODEL 570713 MEGA STEPS

VEHICLE APPLICATION: 2007 GM SILVERADO & SIERRA CREW CAB PICKUPS
2007 AND NEWER GM TAHOE & SUBURBAN WITHOUT FACTORY SIDE STEPS
2007 CHEVY AVALANCHE WITHOUT FACTORY SIDE STEPS
2007 GM SILVERADO&SIERRA EXT CAB



1. READ INSTRUCTIONS COMPLETELY AND CHECK TO MAKE SURE THAT ALL REQUIRED PARTS (LISTED ON SERVICE PARTS LIST) ARE ON HAND BEFORE STARTING THE INSTALLATION. SEE ATTACHED DRAWING FOR VEHICLE APPLICATION YOU REQUIRE.
2. ATTACH THE TOP OF THE MOUNTING BRACKETS TO THE VEHICLE WITH (ITEM#3) – (U-NUT AND BOLT OR FLANGED NUT MAY NEED TO BE USED. SEE ATTACHED DRAWINGS FOR SPECIFIC VEHICLE APPLICATION)
3. INSERT A NYLON WASHER (ITEM #2) BETWEEN THE TOP OF THE MOUNTING BRACKET AND THE BOTTOM OF THE ROCKER PANEL AND INSTALL THE SCREW (ITEM#3) AND WASHER (ITEM#7) AND NUT (ITEM#8) PLACE PINCH WELD SUPPORT BRACKET ABOVE PINCH WELD AREA. AS SHOWN. -(UNLESS THREADED)-THIS IS DONE ON EACH MOUNTING BRACKET.TIGHTEN TO 19 LB FT.THE DISTANCE BETWEEN THE FRONT BRACKET AND 2ND BRACKET WILL BE 24 INCHES.
4. PREPARE THE MEGA STEP PLATE FOR MOUNTING AS FOLLOWS.INSERT THREE (3) 5/16” SQUARE HEAD SCREWS (ITEM #5) IN THE CENTER SLOT ON THE UNDER SIDE OF THE STEP.
5. POSITIONS THE MEGA STEP ON THE MOUNTING BRACKETS SO THAT THE SQUARE HEAD SCREWS ARE LOCATED IN THE SLOTS OF THE MOUNTING BRACKETS AND THE STEP IS CENTERED, FRONT TO REAR, ON THE VEHICLE. INSTALL 5/16” SERRATED FLANGE NUTS (ITEM #4) ON THE SQUARE HEAD SCREWS AND TIGHTEN TO 19 LB FT.

SERVICE PARTS LIST

ITEM	PART NO.	QTY	DESCRIPTION
1	575078	1	STEP ASSY- 78.00” (MOD. 575078) TAHOE& EXT CAB
1	575088	1	STEP ASSY-88.00” (MOD. 575088) SUBURBAN & CREW CAB
2	107182	6	WASHER- SPCR, NYLON, BLK, .312 ID X 1.24 OD X .25 THK
3	100180	12	M8 X 30 X1.25 SCR,SST,BZP
4	102680	14	NUT-SERRATED FLANGE, HEX, SST, 5/16-18 UNC
5	106880	6	SCREW-SQUARE HD,5/16-18UNC X 1.00”
6	551746	6	MOUNTING BRACKET,MEGASTEP
7	102734	12	5/16” STD FLAT WASHER SST
8	105859	6	M8 FLANGED NUT ZP
9	100647	6	5/16” X 1.00” SCR ZP
10	105541	6	U-NUT 5/16” - 18
11	551666	6	BRKT-MTG,PINCH WELD SUPPORT

LIVERNE
ISO9001 QS9000 CERTIFIED TRUCK
EQUIPMENT
1200 Birch Street
Brandon, SD 57005
INC.

551741 SHEET 1 31OCT06
REVISION A 08NOV06
REVISION B 26MAR07
REVISION C 23OCT07
REVISION D 20OCT08

LUVERNE LOGO SHOULD BE TOWARD REAR OF VEHICLE

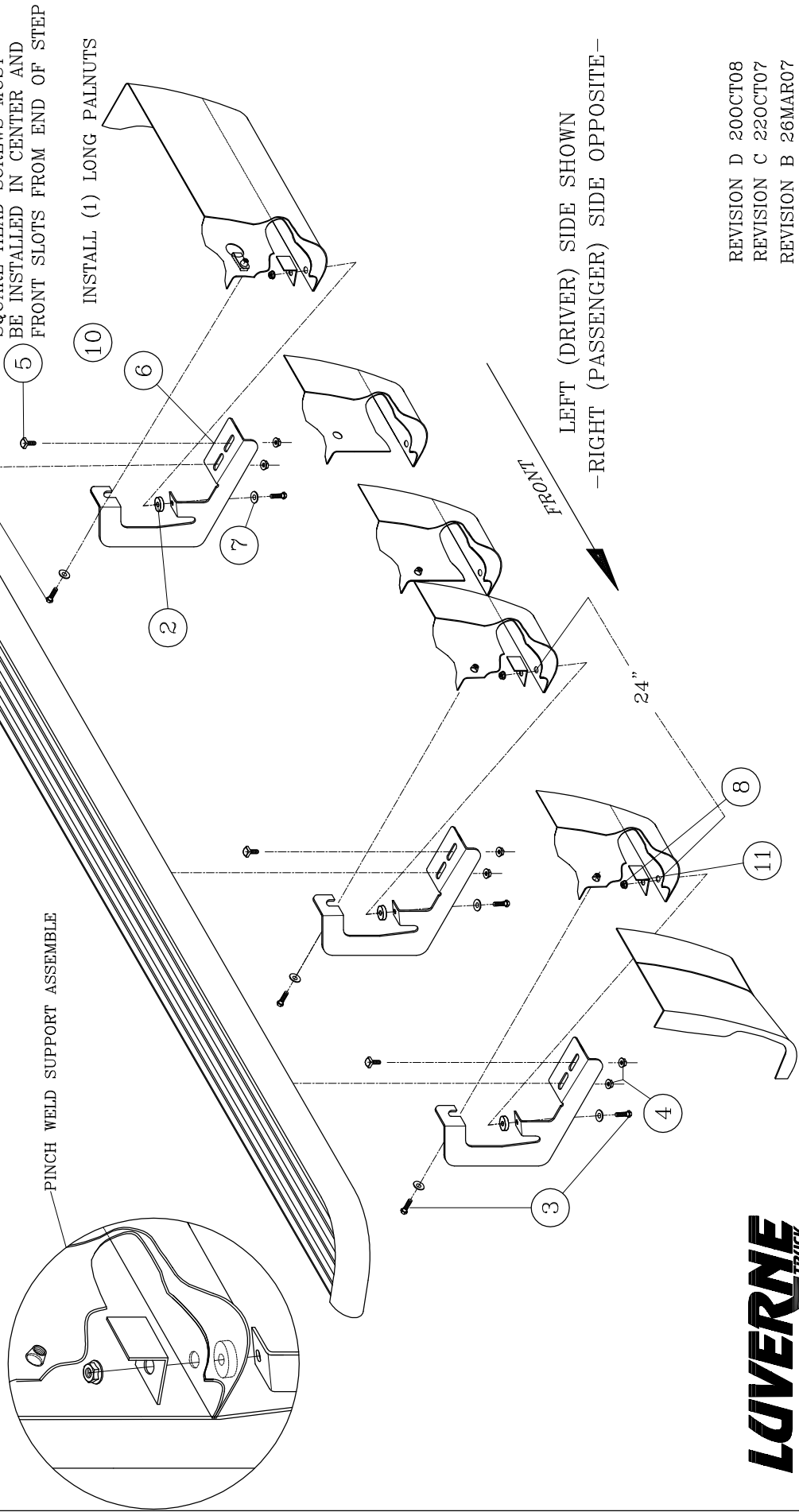
SILVERADO / SIERRA

SERVICE PARTS LIST

MODEL NO. -570713

NOTE:

THE MOUNTING PATTERNS MAY NOT BE EXACTLY AS SHOWN. HOWEVER THERE WILL BE ENOUGH FASTENERS TO MAKE THE APPLICATION. THE DISTANCE BETWEEN THE FIRST AND SECOND BRACKET WILL BE 24 INCHES.



REVISION D 20OCT08
 REVISION C 22OCT07
 REVISION B 26MAR07
 REVISION A 08NOV06
 551741 SHEET 2 31OCT06

LUVERNE
 TRUCK
 EQUIPMENT
 INC.
 1200 Birch Street
 Brandon, SD 57005

LUVERNE LOGO SHOULD BE TOWARD REAR OF VEHICLE

SUBURBAN / TAHOE

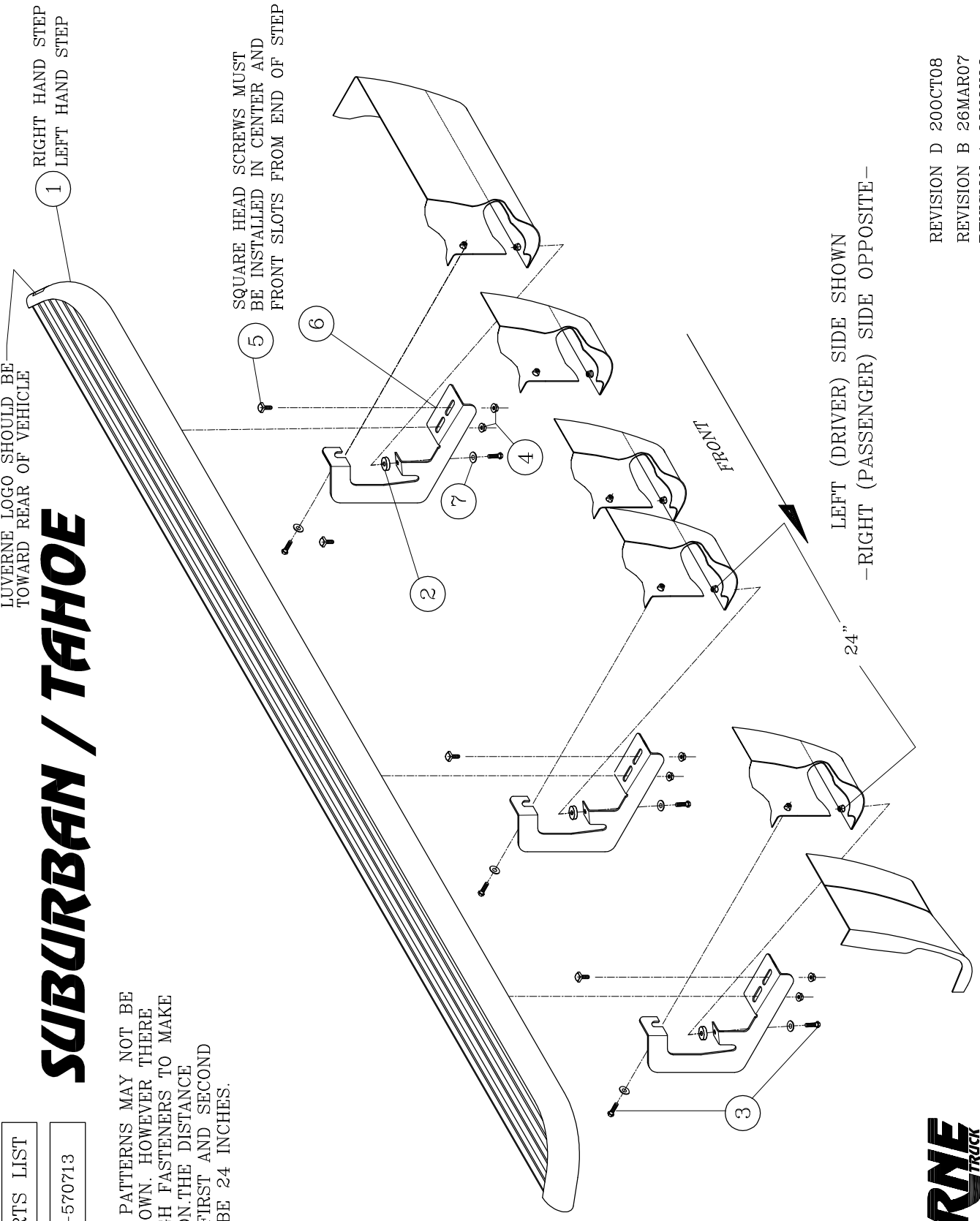
SERVICE PARTS LIST

MODEL NO. -570713

NOTE:
THE MOUNTING PATTERNS MAY NOT BE EXACTLY AS SHOWN. HOWEVER THERE WILL BE ENOUGH FASTENERS TO MAKE THE APPLICATION. THE DISTANCE BETWEEN THE FIRST AND SECOND BRACKET WILL BE 24 INCHES.

1 RIGHT HAND STEP
LEFT HAND STEP

SQUARE HEAD SCREWS MUST BE INSTALLED IN CENTER AND FRONT SLOTS FROM END OF STEP



24"
LEFT (DRIVER) SIDE SHOWN
-RIGHT (PASSENGER) SIDE OPPOSITE-

LUVERNE
TRUCK
EQUIPMENT
INC.
1200 Birch Street
Brandon, SD 57005

REVISION D 200CT08
REVISION B 26MAR07
REVISION A 08NOV06
551741 SHEET 3 310CT06

SERVICE PARTS LIST

MODEL NO. -570713

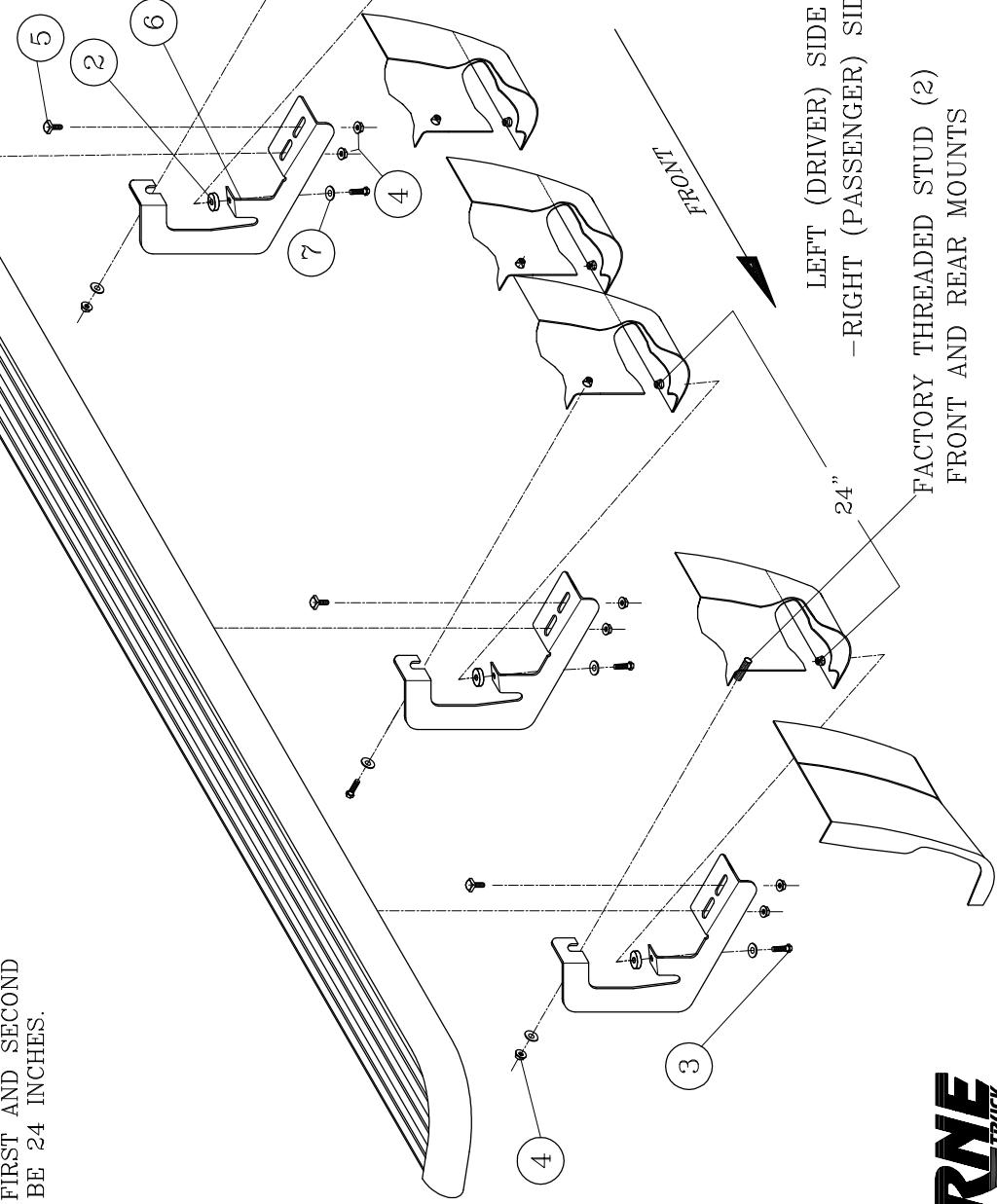
AVALANCHE

NOTE:
THE MOUNTING PATTERNS MAY NOT BE EXACTLY AS SHOWN. HOWEVER THERE WILL BE ENOUGH FASTENERS TO MAKE THE APPLICATION. THE DISTANCE BETWEEN THE FIRST AND SECOND BRACKET WILL BE 24 INCHES.

LUVERNE LOGO SHOULD BE TOWARD REAR OF VEHICLE

1
RIGHT HAND STEP
LEFT HAND STEP

SQUARE HEAD SCREWS MUST BE INSTALLED IN CENTER AND FRONT SLOTS FROM END OF STEP



LEFT (DRIVER) SIDE SHOWN
- RIGHT (PASSENGER) SIDE OPPOSITE -

FACTORY THREADED STUD (2)
FRONT AND REAR MOUNTS

LUVERNE
TRUCK
EQUIPMENT
INC.
1200 Birch Street
Brandon, SD 57005

REVISION D 20OCT08
REVISION B 26MAR07
REVISION A 08NOV06
551741 SHEET 4 31OCT06