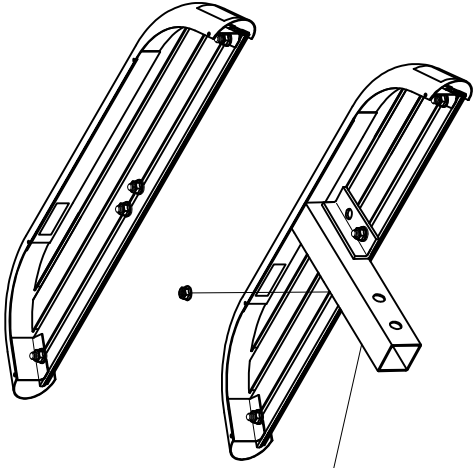


STEP BOARDS SOLD SEPARATELY

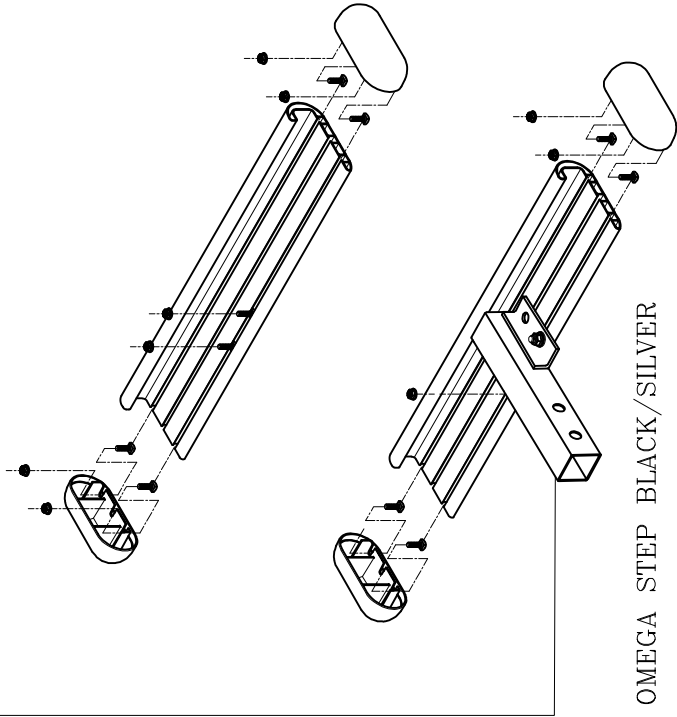
SERVICE PARTS LIST

- BOARDS— 575226
- 585026
- 586026
- 415026
- STINGER—570000
- STINGER/PLATE—570010

MEGA STEP

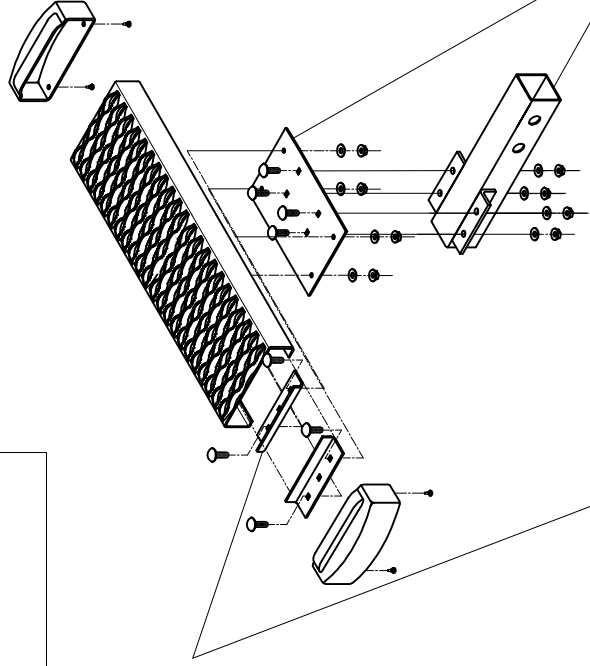


— STINGER—PKG (570000)



OMEGA STEP BLACK/SILVER

GRIP STEP



STINGER—PKG (570010)

REV B 30JUN15
 REV A 10JUL09
 551659 SHEET 1 11MAY09

